

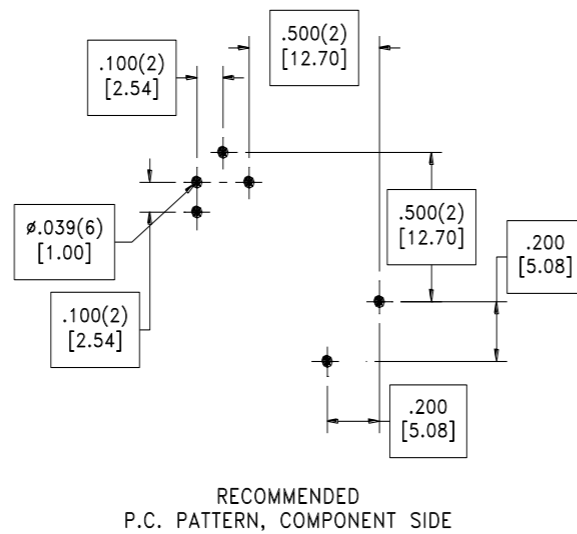
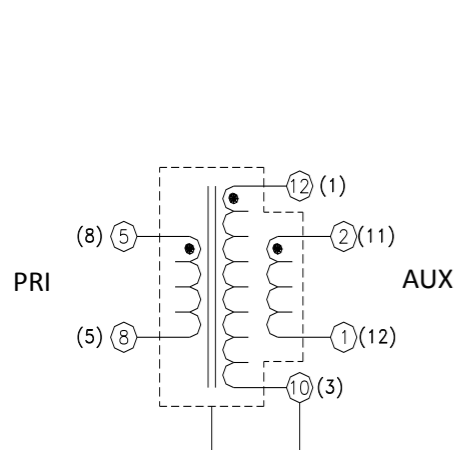
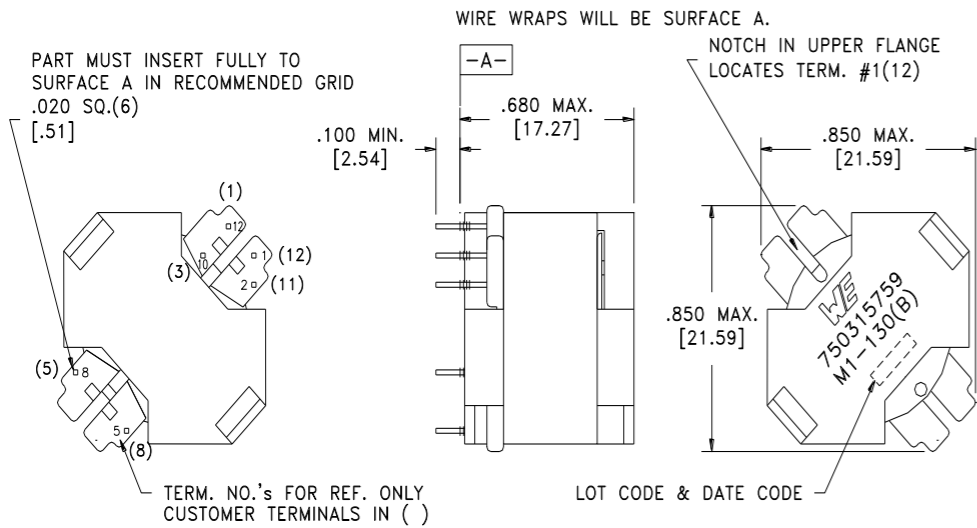
CUSTOMER TERMINAL	RoHS	LEAD(Pb)--FREE
Sn 96%, Ag 4%	Yes	Yes

more than you expect



ELECTRICAL SPECIFICATIONS @ 25° C unless otherwise noted:

PARAMETER	TEST CONDITIONS	VALUE
D.C. RESISTANCE	5-8 @20°C	0.255 ohms ±10%
D.C. RESISTANCE	2-1 @20°C	0.150 ohms ±10%
D.C. RESISTANCE	12-10 @20°C	0.150 ohms ±10%
INDUCTANCE	5-8 50kHz, 1.0V, Ls	600µH ±5%
DIELECTRIC	5-2 tie(2+12), 1250VAC, 1 second	1000VAC, 1 minute
DIELECTRIC	5-core 1250VAC, 1 second	1000VAC, 1 minute
DIELECTRIC	2-core tie(2+12), 1250VAC, 1 second	1000VAC, 1 minute
URNS RATIO	(5-8):(2-1)	14:1, ±2%
URNS RATIO	(5-8):(12-10)	14:1, ±2%



GENERAL SPECIFICATIONS:

OPERATING TEMPERATURE RANGE: -40°C to +125°C including temp rise.

Safety standard undefined.

UL Recognized Class B insulation system M1-130(B), E106391.

Wire insulation & RoHS status not affected by wire color. Wire insulation color may vary depending on availability.

DFM		Packaging Specifications Method: Tray PKG-0002	<p>Tolerances unless otherwise specified: Angles: ±1° Decimals: ±.005 [.13] Fractions: ±1/64 Footprint: ±.001 [.03]</p> <p>This drawing is dual dimensioned. Dimensions in brackets are in millimeters.</p>	DRAWING TITLE INDUCTOR	PART NO. 750315759
DATE					
ENG	EJK				
REV.	02				
DATE	4/19/2016				
www.we-online.com/midcom			SPECIFICATION SHEET 1 OF 1		