

CUSTOMER TERMINAL	RoHS	LEAD(Pb)-FREE
Sn96%, Ag4%	Yes	Yes



ELECTRICAL SPECIFICATIONS @ 25°C unless otherwise noted:

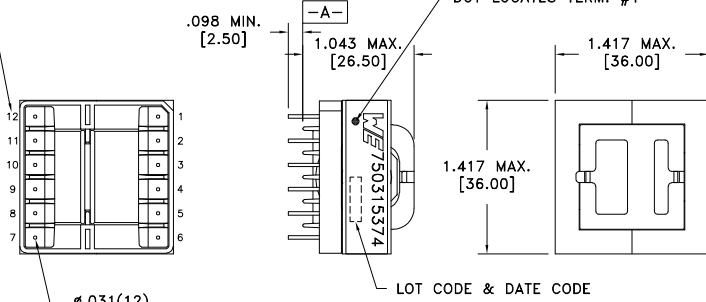
PARAMETER	TEST CONDITIONS	VALUE
D.C. RESISTANCE	3-1 @20°C	0.150 ohms ±10%
D.C. RESISTANCE	8-10 @20°C	0.005 ohms max.
D.C. RESISTANCE	9-11 @20°C	0.005 ohms max.
D.C. RESISTANCE	6-5 @20°C	0.120 ohms ±10%
D.C. RESISTANCE	5-4 @20°C	0.120 ohms ±10%
INDUCTANCE	3-1 10kHz, 100mVAC, Ls	600uH ±10%
SATURATION CURRENT	3-1 20% rolloff from initial	1.7A
LEAKAGE INDUCTANCE	3-1 tie(4+5+6, 8+9+10+11), 100kHz, 100mVAC, Ls	90uH min., 100uH typ., 110uH max.
DIELECTRIC	1-11 tie(3+4, 10+11), 4000VAC, 1 second	3200VAC, 1 minute
URNS RATIO	(3-1):(9-11)	17.5:1, ±2%
URNS RATIO	(3-1):(8-10)	17.5:1, ±2%
URNS RATIO	(3-1):(6-5)	11.7:1, ±2%
URNS RATIO	(3-1):(5-4)	11.7:1, ±2%

GENERAL SPECIFICATIONS:

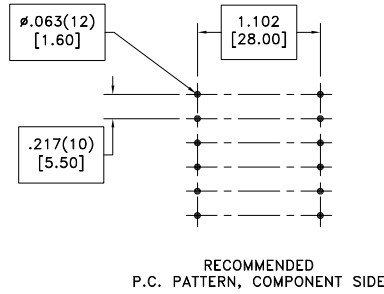
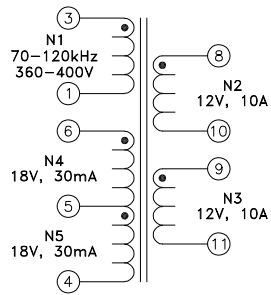
OPERATING TEMPERATURE RANGE: -40°C to +125°C including temp rise.

Designed to comply with the following requirements as defined by IEC60950-1, EN60950-1, UL60950-1/CSA60950-1 and AS/NZS60950.1:
 - Reinforced insulation for a primary circuit at a working voltage of 265Vrms, 400Vpeak, Overvoltage Category II.

TERM. NO.'s FOR REF. ONLY



∅.031(12) [.80]
 PART MUST INSERT FULLY TO SURFACE A IN RECOMMENDED GRID



RECOMMENDED P.C. PATTERN, COMPONENT SIDE

Wire insulation & RoHS status not affected by wire color.
 Wire insulation color may vary depending on availability.

REV.	DATE	Packaging Specifications Method: Tray PKG-1221 www.we-online.com/midcom		Tolerances unless otherwise specified: Angles: ±1° Fractions: ±1/64 Decimals: ±.005 [.13] Footprint: ±.001 [.03]	DRAWING TITLE TRANSFORMER	PART NO. 750315374
6B	2/20			This drawing is dual dimensioned. Dimensions in brackets are in millimeters.	eiSos p/n: 750315374	
6A	12/18	SEE REVISION SHEET FOR REVISION LEVEL				SPECIFICATION SHEET 1 OF 1

