

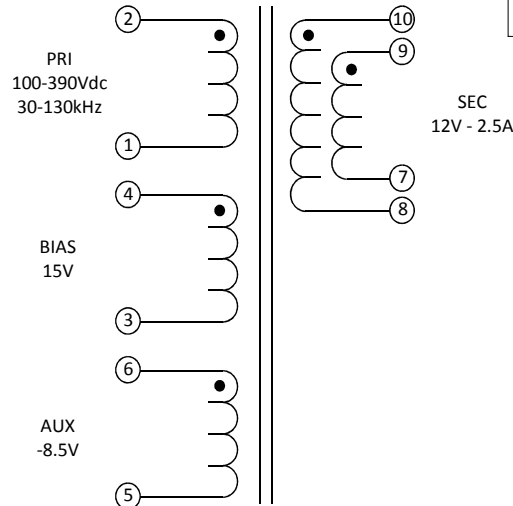
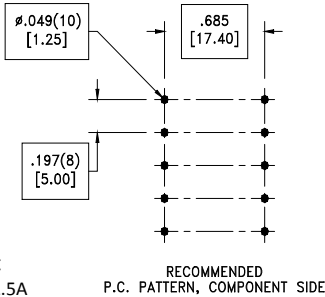
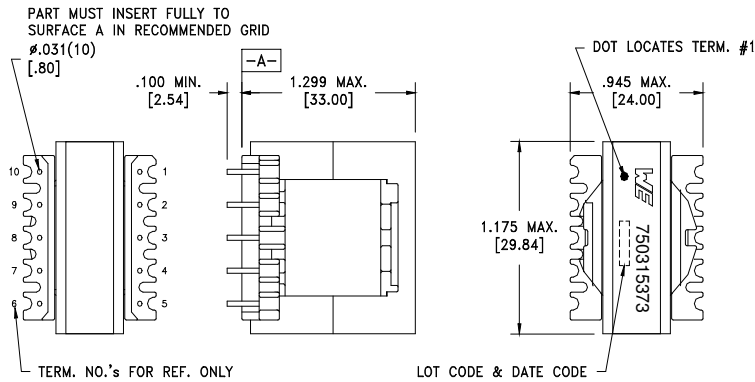
CUSTOMER TERMINAL	RoHS	LEAD(Pb)--FREE
Sn 96%, Ag 4%	Yes	Yes

more than you expect



ELECTRICAL SPECIFICATIONS @ 25° C unless otherwise noted:

PARAMETER	TEST CONDITIONS	VALUE
D.C. RESISTANCE	2-1 @20°C	0.255 ohms ±10%
D.C. RESISTANCE	4-3 @20°C	0.115 ohms ±10%
D.C. RESISTANCE	6-5 @20°C	0.060 ohms ±30%
D.C. RESISTANCE	10-8 tie(7+8, 9+10), @20°C	0.015 ohms ±30%
INDUCTANCE	2-1 10kHz, 100mV, Ls	300µH ±10%
SATURATION CURRENT	2-1 20% rolloff from initial	5.25A
LEAKAGE INDUCTANCE	2-1 tie(3+4, 5+6, 7+8+9+10), 100kHz, 100mV, Ls	7.0µH typ., 14.0µH max.
DIELECTRIC	1-10 tie(1+2+3+4+5), 1500VAC, 1 second	
DIELECTRIC	1-3 tie(4+5), 625VAC, 1 second	
DIELECTRIC	4-5 625VAC, 1 second	
TURNS RATIO	(2-1):(10-8), tie(7+8, 9+10)	6:1, ±1%
TURNS RATIO	(2-1):(4-3)	4.36:1, ±1%
TURNS RATIO	(2-1):(6-5)	8.73:1, ±1%



Application of the transformer allows for the leadwires between terminals 7 & 8 and 9 & 10 to solder bridge.
Customer to tie terminals 7 & 8 and 9 & 10 on PC board.

GENERAL SPECIFICATIONS:

OPERATING TEMPERATURE RANGE: -40°C to +125°C including temp rise.

- Functional insulation only

Reference Design

Wire insulation & RoHS status not affected by wire color. Wire insulation color may vary depending on availability.

DFM	SP	Packaging Specifications		Tolerances unless otherwise specified: Angles: ±1° Decimals: ±.005 [.13] Fractions: ±1/64 Footprint: ±.001 [.03]	DRAWING TITLE TRANSFORMER	PART NO. 750315373
DATE	2/24/2015	Method: Tray				
ENG	KLM	PKG-1016		This drawing is dual dimensioned. Dimensions in brackets are in millimeters.		
REV.	00					
DATE	9/30/2015	www.we-online.com/midcom				SPECIFICATION SHEET 1 OF 1