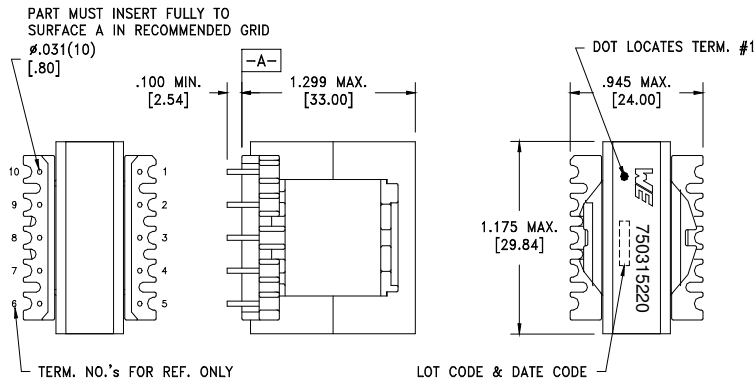


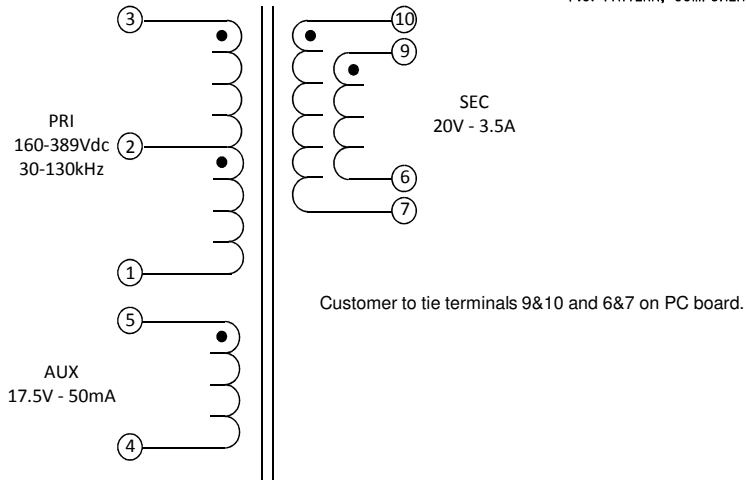
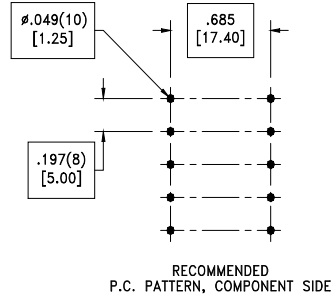
CUSTOMER TERMINAL	RoHS	LEAD(Pb)--FREE
Sn 96%, Ag 4%	Yes	Yes

more than you expect



ELECTRICAL SPECIFICATIONS @ 25° C unless otherwise noted:

PARAMETER	TEST CONDITIONS	VALUE
D.C. RESISTANCE	3-1 @20°C	0.233 ohms ±10%
D.C. RESISTANCE	5-4 @20°C	0.136 ohms ±10%
D.C. RESISTANCE	10-7 tie(6+7, 9+10), @20°C	0.010 ohms ±30%
INDUCTANCE	3-1 10kHz, 100mV, Ls	400µH ±10%
SATURATION CURRENT	3-1 20% rolloff from initial	4.6A
LEAKAGE INDUCTANCE	3-1 tie(4+5, 6+7+9+10), 100kHz, 100mV, Ls	4.6µH typ., 9.2µH max.
DIELECTRIC	1-10 tie(3+4, 6+7), 1875VAC, 1 second	
DIELECTRIC	1-5 625VAC, 1 second	
TURNS RATIO	(3-2):(2-1)	1.2:1, ±1%
TURNS RATIO	(3-1):(5-4)	6.87:1, ±1%
TURNS RATIO	(3-1):(10-7), tie(6+7, 9+10)	5.5:1, ±1%



GENERAL SPECIFICATIONS:

OPERATING TEMPERATURE RANGE: -40°C to +125°C including temp rise.

Reference Design

Wire insulation & RoHS status not affected by wire color. Wire insulation color may vary depending on availability.

DFM	SP	Packaging Specifications		Tolerances unless otherwise specified: Angles: ±1° Decimals: ±.005 [.13] Fractions: ±1/64 Footprint: ±.001 [.03]	DRAWING TITLE TRANSFORMER	PART NO. 750315220
DATE	11/24/2014	Method: Tray ENG KLM PKG-0253		www.we-online.com/midcom		
REV.	00					SPECIFICATION SHEET 1 OF 1
DATE	3/5/2015					