

CUSTOMER TERMINAL	RoHS	LEAD(Pb)-FREE
Sn96%, Ag4%	Yes	Yes

more than you expect



ELECTRICAL SPECIFICATIONS @ 25°C unless otherwise noted:

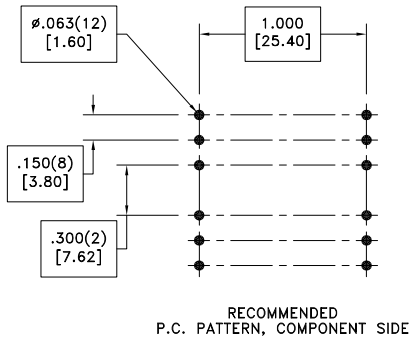
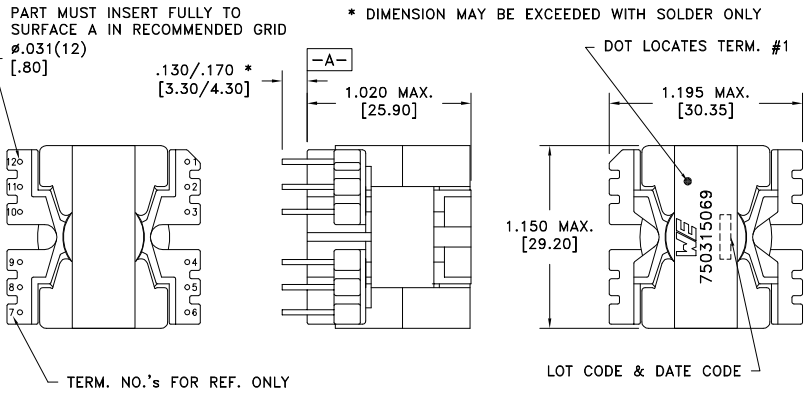
PARAMETER	TEST CONDITIONS	VALUE
D.C. RESISTANCE	5-2 tie(2+3, 4+5), @20°C	0.031 ohms ±20%
INDUCTANCE	5-2 tie(2+3, 4+5), 10kHz, 100mVAC, , Ls	40.0uH ±10%
SATURATION CURRENT	5-2 tie(2+3, 4+5), 20% rolloff from initial	20A

GENERAL SPECIFICATIONS:

OPERATING TEMPERATURE RANGE: -40°C to +125°C including temp rise.

Safety Standard Undefined.

Functional Insulation Only.



Customer to tie terminals 2&3 and 4&5 together on PC board.

Application of the transformer allows for the leadwires between terminals 2&3 and 4&5 to solder bridge.

Wire insulation & RoHS status not affected by wire color.  
Wire insulation color may vary depending on availability.

REV.	DATE	Packaging Specifications Method: Tray PKG-0807 www.we-online.com/midcom		Tolerances unless otherwise specified: Angles: ±1° Fractions: ±1/64 Decimals: ±.005 [.13] Footprint: ±.005 [.13]	DRAWING TITLE <b>INDUCTOR</b>	PART NO. <b>750315069</b>
6A	12/15	SEE REVISION SHEET FOR REVISION LEVEL		This drawing is dual dimensioned. Dimensions in brackets are in millimeters.	eiSos p/n: 750315069	SPECIFICATION SHEET 1 OF 1