

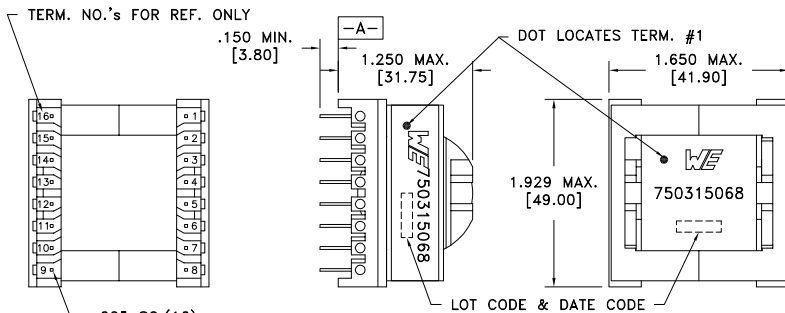
CUSTOMER TERMINAL	RoHS	LEAD(Pb)-FREE
Sn96%, Ag4%	Yes	Yes

more than you expect

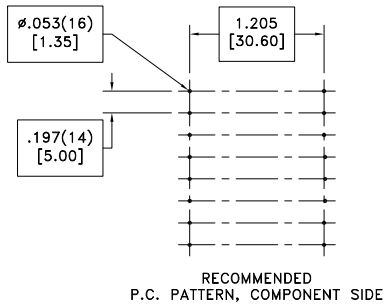
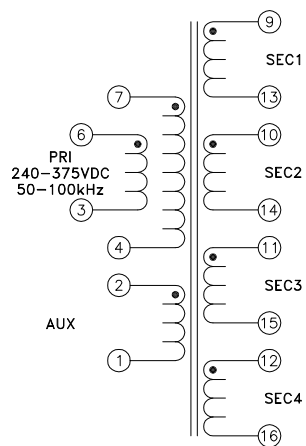


ELECTRICAL SPECIFICATIONS @ 25°C unless otherwise noted:

PARAMETER	TEST CONDITIONS	VALUE
D.C. RESISTANCE	7-3 tie(3+4, 6+7), @20°C	0.030 ohms ±20%
D.C. RESISTANCE	9-13 @20°C	0.005 ohms max.
D.C. RESISTANCE	10-14 @20°C	0.005 ohms max.
D.C. RESISTANCE	11-15 @20°C	0.005 ohms max.
D.C. RESISTANCE	12-16 @20°C	0.005 ohms max.
INDUCTANCE	7-3 tie(3+4, 6+7), 10kHz, 100mVAC, Ls	120uH ±10%
SATURATION CURRENT	7-3 tie(3+4, 6+7), 20% rolloff from initial	7.5A
LEAKAGE INDUCTANCE	7-3 tie(1+2, 3+4, 6+7, 9+10+11+12+13+14+15+16), 100kHz, 100mVAC, Ls	6uH max.
DIELECTRIC	7-9 tie(2+3, 6+7, 9+10+11+12), 3750VAC, 1 second	3000VAC, 1 minute
TURNS RATIO	(7-4):(9-13), tie(3+4, 6+7)	10:1, ±2%
TURNS RATIO	(9-13):(10-14)	1:1, ±1%
TURNS RATIO	(9-13):(11-15)	1:1, ±1%
TURNS RATIO	(9-13):(12-16)	1:1, ±1%
TURNS RATIO	(9-13):(2-1)	1:1, ±1%



.025 SQ.(16) [.64]
PART MUST INSERT FULLY TO SURFACE A IN RECOMMENDED GRID



Customer to tie terminals 3&4, 6&7, 10&13, 11&14 and 12&15 together on PCB.

Application of the transformer allows for the leadwires between terminals 3&4 and 6&7 to solder bridge.

Wire insulation & RoHS status not affected by wire color.
Wire insulation color may vary depending on availability.

GENERAL SPECIFICATIONS:

OPERATING TEMPERATURE RANGE: -40°C to +125°C including temp rise.

Designed to comply with the following requirements as defined by IEC60950-1, EN60950-1, UL60950-1/CSA60950-1 and AS/NZS60950.1:

- Reinforced insulation for a primary circuit at a working voltage of 265Vrms, 400Vpeak, Overvoltage Category II.

REV.	DATE	Packaging Specifications Method: Tray PKG-0899 www.we-online.com/midcom		Tolerances unless otherwise specified: Angles: ±1° Fractions: ±1/64 Decimals: ±.005 [.13] Footprint: ±.001 [.03]	DRAWING TITLE TRANSFORMER	PART NO. 750315068
6A	1/16	SEE REVISION SHEET FOR REVISION LEVEL	CONVENTION PLACEMENT	This drawing is dual dimensioned. Dimensions in brackets are in millimeters.	eiSos p/n: 750315068	SPECIFICATION SHEET 1 OF 1