

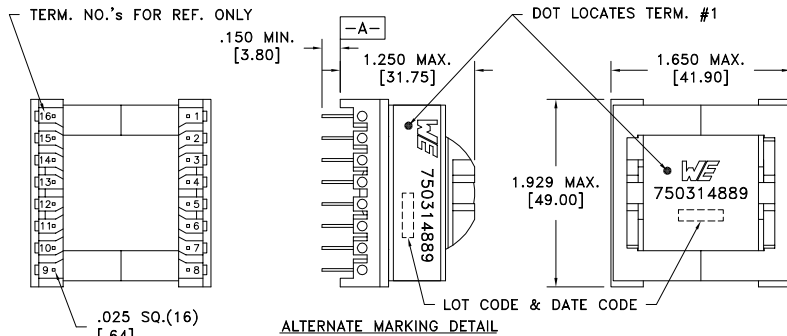
CUSTOMER TERMINAL	RoHS	LEAD(Pb)-FREE
Sn96%, Ag4%	Yes	Yes

more than you expect



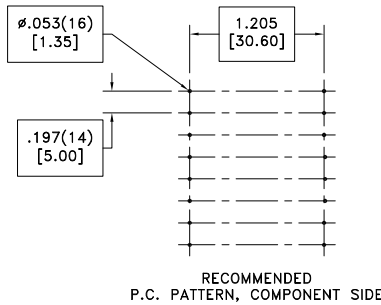
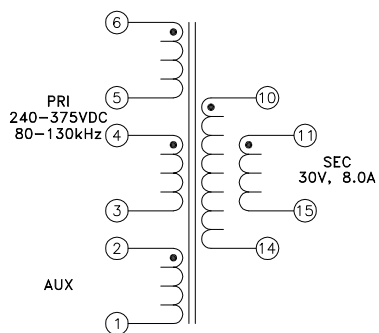
ELECTRICAL SPECIFICATIONS @ 25°C unless otherwise noted:

PARAMETER	TEST CONDITIONS	VALUE
D.C. RESISTANCE	10-15 tie(10+11, 14+15), @20°C	0.010 ohms max.
D.C. RESISTANCE	2-1 @20°C	0.029 ohms ±20%
D.C. RESISTANCE	6-3 tie(4+5), @20°C	0.051 ohms ±10%
INDUCTANCE	6-3 tie(4+5), 10kHz, 100mVAC, Ls	150.0uH ±10%
INDUCTANCE	6-3 tie(4+5), 10kHz, 100mVAC, 6ADC, Ls	108.0uH min.
LEAKAGE INDUCTANCE	6-3 tie(1+2, 4+5, 10+11+14+15), 100kHz, 100mVAC, Ls	9.0uH max.
DIELECTRIC	3-15 tie(2+3, 4+5, 14+15), 3750VAC, 1 second	3000VAC, 1 minute
TURNS RATIO	(6-3):(10-14), tie(4+5, 10+11, 14+15)	5:1, ±1%
TURNS RATIO	(6-3):(2-1), tie(4+5)	8.333:1, ±1%



ALTERNATE MARKING DETAIL

.025 SQ.(16) [.64]
PART MUST INSERT FULLY TO SURFACE A IN RECOMMENDED GRID



GENERAL SPECIFICATIONS:

OPERATING TEMPERATURE RANGE: -40°C to +125°C including temp rise.

Designed to comply with the following requirements as defined by IEC60950-1, EN60950-1, UL60950-1/CSA60950-1 and AS/NZS60950.1:

- Reinforced insulation for a primary circuit at a working voltage of 400VDC.

Wire insulation & RoHS status not affected by wire color.
Wire insulation color may vary depending on availability.

REV.	DATE	Packaging Specifications Method: Tray PKG-0899 www.we-online.com/midcom		Tolerances unless otherwise specified: Angles: ±1° Decimals: ±.005 [.13] Fractions: ±1/64 Footprint: ±.001 [.03]	DRAWING TITLE TRANSFORMER	PART NO. 750314889
6A	10/14	SEE REVISION SHEET FOR REVISION LEVEL		This drawing is dual dimensioned. Dimensions in brackets are in millimeters.	eiSos p/n: 750314889	SPECIFICATION SHEET 1 OF 1