

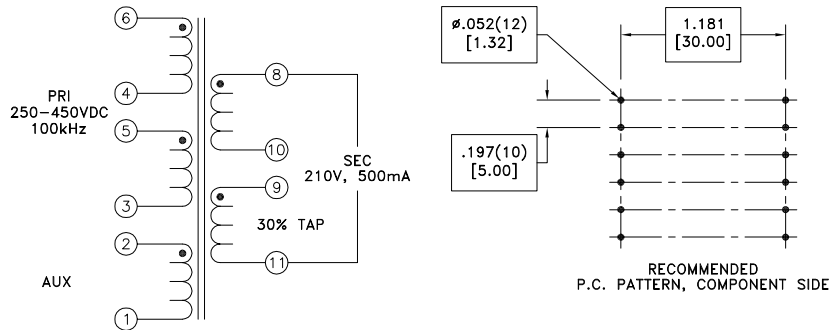
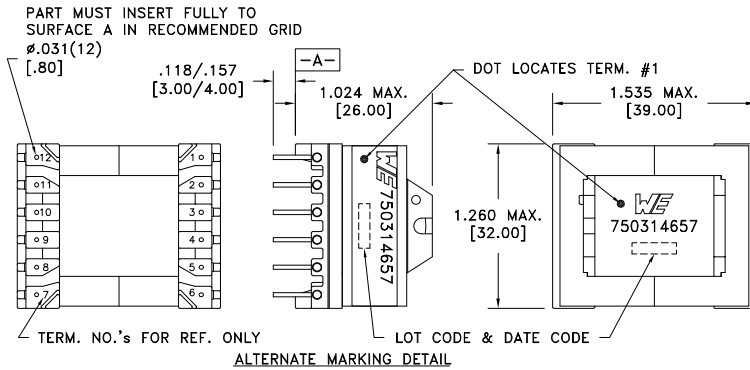
CUSTOMER TERMINAL	RoHS	LEAD(Pb)-FREE
Sn96%, Ag4%	Yes	Yes

more than you expect



ELECTRICAL SPECIFICATIONS @ 25°C unless otherwise noted:

PARAMETER	TEST CONDITIONS	VALUE
D.C. RESISTANCE	1-2 @20°C	0.247 ohms ±10%
D.C. RESISTANCE	3-6 tie(4+5), @20°C	0.303 ohms ±10%
D.C. RESISTANCE	8-11 tie(9+10), @20°C	0.356 ohms ±10%
D.C. RESISTANCE	9-11 @20°C	0.105 ohms ±10%
INDUCTANCE	3-6 tie(4+5), 10kHz, 100mVAC, Ls	500uH ±10%
SATURATION CURRENT	20% rolloff from initial	3.9A
LEAKAGE INDUCTANCE	3-6 tie(1+2, 4+5, 8+9+10+11), 100kHz, 100mVAC, Ls	7uH typ., 12uH max.
LEAKAGE INDUCTANCE	1-11 tie(2+3+4, 9+10), 3750VAC, 1 second	-
DIELECTRIC	1-6 tie(4+5), 625VAC, 1 second	-
URNS RATIO	(6-3):(2-1), tie(4+5)	3.33:1, ±1%
URNS RATIO	(6-3):(9-11), tie(4+5)	3.33:1, ±1%
URNS RATIO	(6-3):(8-11), tie(4+5, 9+10)	1:1, ±1%



Customer to tie terminals 4&5 and 9&10 on PC Board.

Application of the transformer allows for the leadwires between terminals 4&5 and 9&10 to solder bridge.

GENERAL SPECIFICATIONS:

OPERATING TEMPERATURE RANGE: -40°C to +125°C including temp rise.

Designed to comply with the following requirements as defined by IEC60950-1, EN60950-1, UL60950-1/CSA60950-1 and AS/NZS60950.1:

- Reinforced insulation for a primary circuit at a working voltage of 265Vrms, 450Vpeak, Overvoltage Category II.

Wire insulation & RoHS status not affected by wire color.
 Wire insulation color may vary depending on availability.

REV.	DATE	Packaging Specifications Method: Tray PKG-0867 www.we-online.com/midcom		Tolerances unless otherwise specified: Angles: $\pm 1^\circ$ Fractions: $\pm 1/64$ Decimals: $\pm .005$ [.13] Footprint: $\pm .001$ [.03]	DRAWING TITLE TRANSFORMER	PART NO. 750314657
6A	3/15	SEE REVISION SHEET FOR REVISION LEVEL	CONVENTION PLACEMENT	This drawing is dual dimensioned. Dimensions in brackets are in millimeters.	eiSos p/n: 750314657	compliant RoHS SPECIFICATION SHEET 1 OF 1