

CUSTOMER TERMINAL	RoHS	LEAD(Pb)-FREE
Sn96%, Ag4%	Yes	Yes

more than you expect



ELECTRICAL SPECIFICATIONS @ 25°C unless otherwise noted:

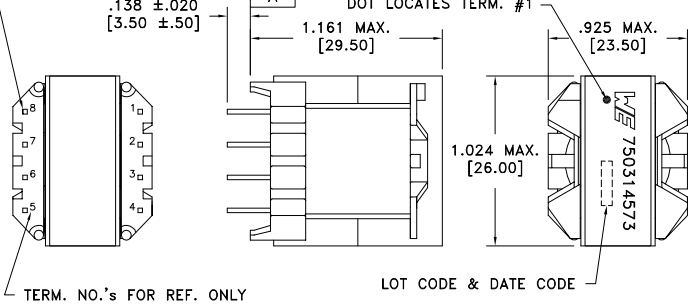
PARAMETER	TEST CONDITIONS	VALUE
D.C. RESISTANCE	1-5 @20°C	0.041 ohms ±30%
INDUCTANCE	1-5 10kHz, 100mVAC, Ls	72.0uH ±10%
SATURATION CURRENT	20% rolloff from initial	13.4A
DIELECTRIC	1-Core 1500VAC, 1 second	-

GENERAL SPECIFICATIONS:

OPERATING TEMPERATURE RANGE: -40°C to +125°C including temp rise.

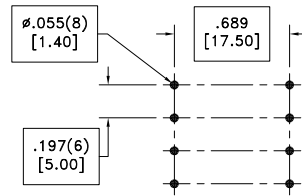
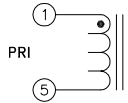
PART MUST INSERT FULLY TO SURFACE A IN RECOMMENDED GRID

.028 SQ.(8)
[.70]



TERM. NO.'s FOR REF. ONLY

LOT CODE & DATE CODE



RECOMMENDED P.C. PATTERN, COMPONENT SIDE

Wire insulation & RoHS status not affected by wire color.
 Wire insulation color may vary depending on availability.

REV.	DATE	Packaging Specifications Method: Tray PKG-0824 www.we-online.com/midcom		Tolerances unless otherwise specified: Angles: ±1° Fractions: ±1/64 Decimals: ±.005 [.13] Footprint: ±.001 [.03]	DRAWING TITLE INDUCTOR	PART NO. 750314573
6A	10/14	SEE REVISION SHEET FOR REVISION LEVEL		This drawing is dual dimensioned. Dimensions in brackets are in millimeters.	eiSos p/n: 750314573	SPECIFICATION SHEET 1 OF 1