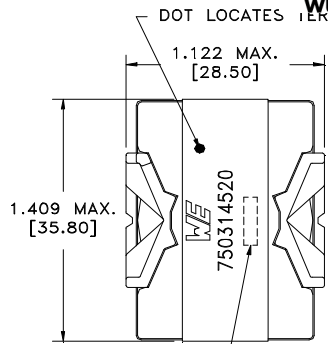
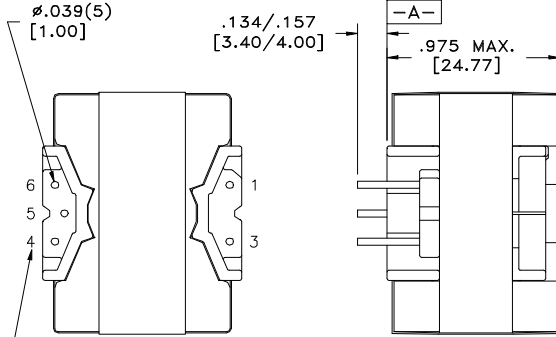


CUSTOMER TERMINAL	RoHS	LEAD(Pb)-FREE
Sn96%, Ag4%	Yes	Yes

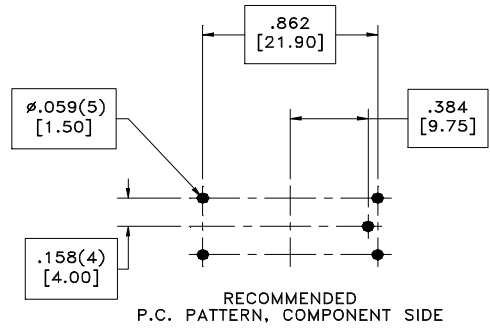
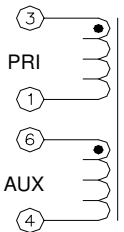


PART MUST INSERT FULLY TO SURFACE A IN RECOMMENDED GRID



TERM. NO.'s FOR REF. ONLY

LOT CODE & DATE CODE



ELECTRICAL SPECIFICATIONS @ 25°C unless otherwise noted:

D.C. RESISTANCE (@20°C):	3-1 , 0.074 Ohms ±20%. 6-4 , 0.111 Ohms ±10%.
DIELECTRIC RATING:	1500VAC for 1 second between pins 3-4.
INDUCTANCE:	260µH ±10%, 10kHz, 100mVAC, 0mADC, 3-1, Ls.
SATURATION CURRENT:	8.8A saturating current that causes 20% rolloff from initial inductance.
URNS RATIO:	(3-1):(6-4) , (9):(1.00) , ±1%.

OPERATING TEMPERATURE RANGE: -40°C to 125°C including temp. rise.

Wire insulation & RoHS status not affected by wire color. Wire insulation color may vary depending on availability. PC1_9_5new

Würth Electronics Midcom Inc. Watertown, SD USA Toll Free: 800-643-2661 Fax: 605-886-4486	Unless otherwise specified, tolerances are as follows: Angles: ±1° Fractions: ±1/64 Decimals: ±.005(.127mm) Footprint: ±.001(.03mm)	more than you expect	
	Drawing Title Inductor	Drawing Number 750314520	Rev. 00
This drawing is dual dimensioned. Dimensions in brackets are in millimeters	Revisions: See Sheet 1	Scale ----	Spec Sheet 1 of 1

Engineer:KLM

01/17/2014