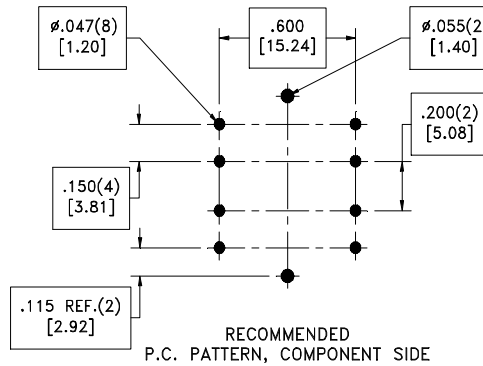
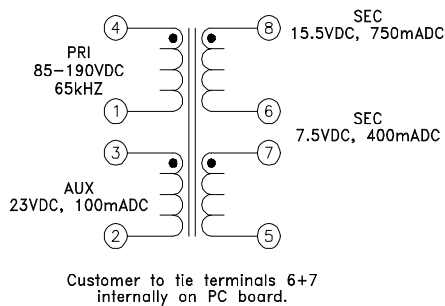
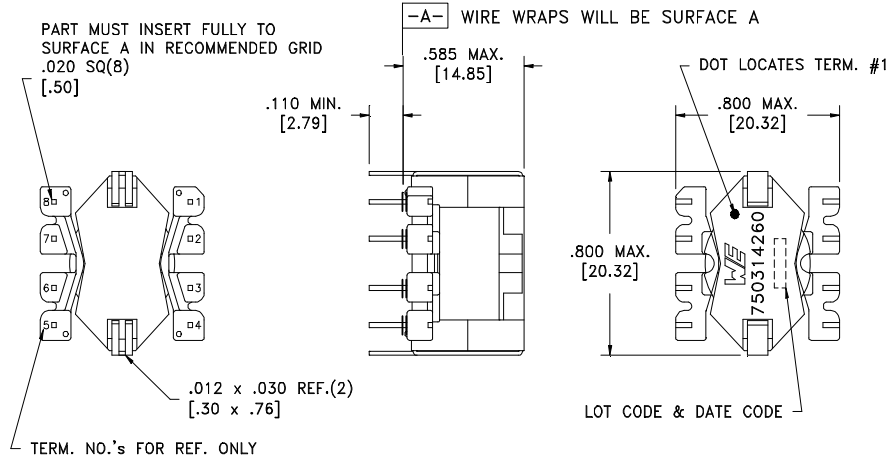


CUSTOMER TERMINAL	RoHS	LEAD(Pb)-FREE
Sn96%, Ag4%	Yes	Yes



ELECTRICAL SPECIFICATIONS @ 25°C unless otherwise noted:

- D.C. RESISTANCE (@20°C):** 4-1 , 1.75 Ohms $\pm 20\%$.
3-2 , 0.220 Ohms $\pm 20\%$.
8-6 , 0.014 Ohms $\pm 20\%$.
7-5 , 0.030 Ohms $\pm 20\%$.
- DIELECTRIC RATING:** 3000VAC, 1 minute tested by applying 3750VAC for 1 second between pins 4-8(tie 1+3, 6+7).
500VDC, 1 minute tested by applying 625VDC for 1 second between pins 4-2.
- INDUCTANCE:** 1.20mH $\pm 10\%$, 100kHz, 100mVAC, 0mADC, 4-1, Ls.
- LEAKAGE INDUCTANCE:** 22 μ H typ., 32 μ H max., 100kHz, 100mVAC, 4-1(tie 5+6+7+8), Ls.
- TURNS RATIO:** (4-1):(3-2), (3.18):(1.00), $\pm 2\%$.
(4-1):(8-6), (14):(1.00), $\pm 2\%$.
(4-1):(7-5), (8.75):(1.00), $\pm 2\%$.

OPERATING TEMPERATURE RANGE: -40°C to +125°C including temp rise.

Safety Standard Undefined

Wire insulation & RoHS status not affected by wire color. Wire insulation color may vary depending on availability.

Würth Electronics Midcom Inc. Watertown, SD USA Toll Free: 800-643-2661 Fax: 605-886-4486	Unless otherwise specified, tolerances are as follows: Angles: $\pm 1^\circ$ Fractions: $\pm 1/64$ Decimals: $\pm .005$ (.127mm) Footprint: $\pm .001$ (.03mm)		more than you expect	
	Drawing Title <h1>Transformer</h1>		Drawing Number <h1>750314260</h1>	Rev. <h1>00</h1>
This drawing is dual dimensioned. Dimensions in brackets are in millimeters	Revisions: See Sheet 1		Scale ----	Spec Sheet 1 of 1