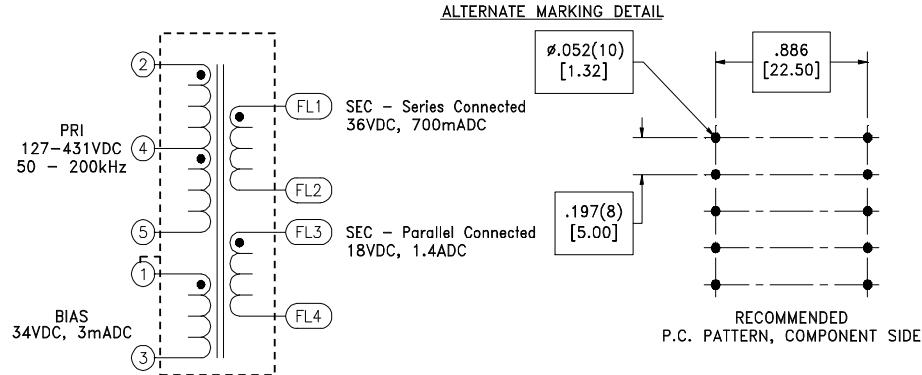
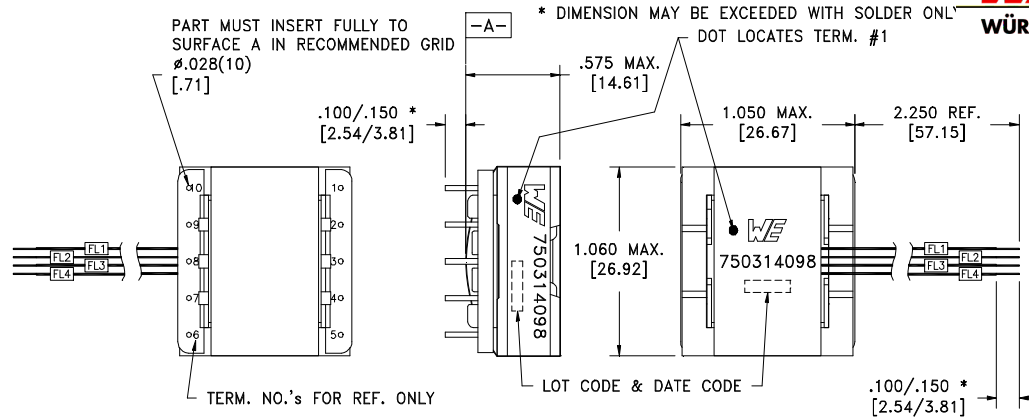


CUSTOMER TERMINAL	RoHS	LEAD(Pb)-FREE
Sn96%, Ag4%	Yes	Yes



Designed for total output power of 25 Watts.

ELECTRICAL SPECIFICATIONS @ 25°C unless otherwise noted:

- D.C. RESISTANCE (@20°C):** 2-5 , 0.440 Ohms ±20%.
 1-3 , 0.320 Ohms ±20%.
 FL1-FL2 , 0.048 Ohms ±20%.
 FL3-LF4 , 0.048 Ohms ±20%.
- DIELECTRIC RATING:** 3000VAC, 1 minute tested by applying 3750VAC for 1 second between pins 2-FL1(tie 1+5, FL2+FL3).
 500VDC, 1 minute tested by applying 625VDC for 1 second between pins 2-1.
- INDUCTANCE:** 780µH ±10%, 10kHz, 100mVAC, 0mADC, 2-5, Ls.
- SATURATION CURRENT:** 1.8ADC saturating current that causes 20% rolloff from initial inductance.
- LEAKAGE INDUCTANCE:** 13µH max., 100kHz, 100mVAC, 2-5(tie 1+3, FL1+FL2+FL3+FL4), Ls.
- TURNS RATIO:** (2-5):(1-3) , (4.24):(1.00) , ±2%.
 (2-5):(FL1-FL2) , (8):(1.00) , ±2%.
 (2-5):(FL3-FL4) , (8):(1.00) , ±2%.

OPERATING TEMPERATURE RANGE: -40°C to +125°C including temp rise.

Designed to comply with the following requirements as defined by IEC60950-1, EN60950-1, UL60950-1/CSA60950-1 and AS/NZS60950.1: - Reinforced insulation for a primary circuit at a working voltage of 250Vrms.

Wire insulation & RoHS status not affected by wire color. Wire insulation color may vary depending on availability.

Würth Electronics Midcom Inc. Watertown, SD USA Toll Free: 800-643-2661 Fax: 605-886-4486	Unless otherwise specified, tolerances are as follows: Angles: ±1° Fractions: ±1/64 Decimals: ±.005(.127mm) Footprint: ±.001(.03mm)	more than you expect	
	Drawing Title <h1>Transformer</h1>	Drawing Number <h1>750314098</h1>	Rev. <h1>01</h1>
This drawing is dual dimensioned. Dimensions in brackets are in millimeters	Revisions: See Sheet 1	Scale ----	Spec Sheet 1 of 1
Engineer: EJK		07/01/2014	