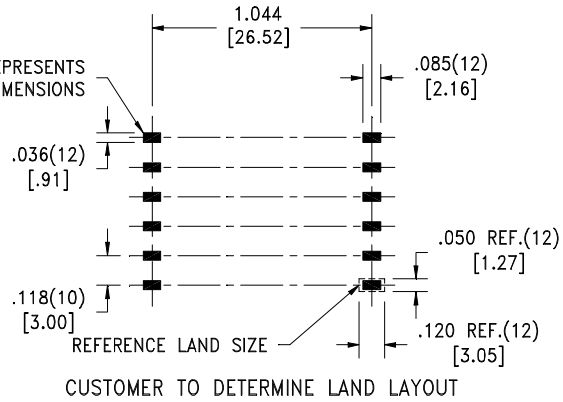
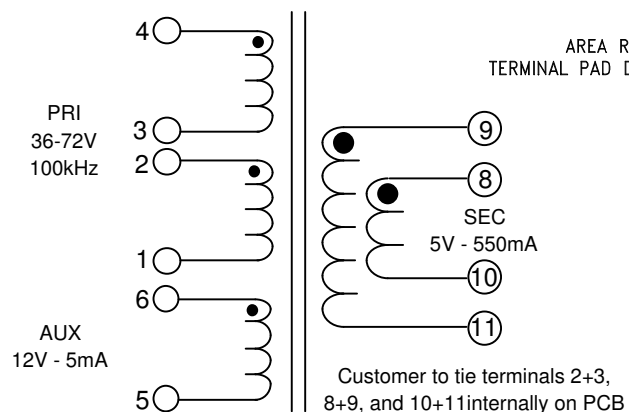
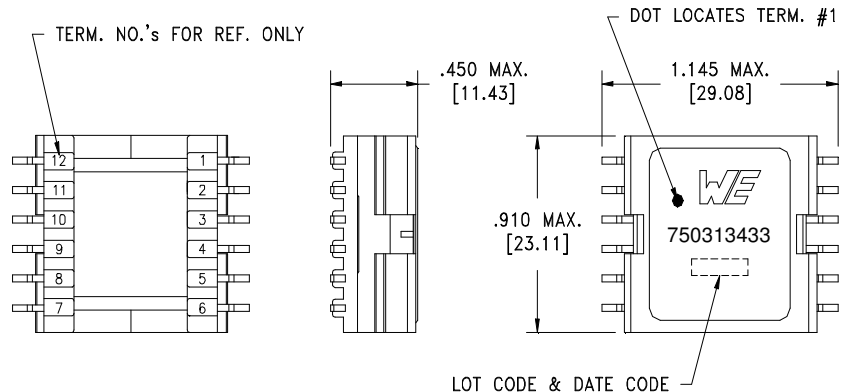


CUSTOMER TERMINAL	RoHS	LEAD(Pb)-FREE
Sn96%, Ag4%	Yes	Yes



**ELECTRICAL SPECIFICATIONS @ 25°C unless otherwise noted:**

- D.C. RESISTANCE (@20°C):  
 1-4 (tie 2+3), 0.150 Ohms ±10%.  
 5-6, 1.03 Ohms ±10%.  
 8-10, 0.016 Ohms max.  
 9-11, 0.016 Ohms max.
- DIELECTRIC RATING:  
 1000VAC, 1 minute tested by applying 1250VAC for 1 second between pins 1-11(tie 2+4+5, 8+9).  
 500VAC, 1 minute tested by applying 625VAC for 1 second between pins 1-6(tie 2+3).
- INDUCTANCE:  
 130µH ±10%, 10kHz, 100mVAC, 0mADC, 1-4(tie 2+3), Ls.
- SATURATION CURRENT:  
 1.65A saturating current that causes 20% rolloff from initial inductance.
- LEAKAGE INDUCTANCE:  
 0.7µH typ, 1.4µH max, 100kHz, 100mVAC, 1-4(tie 2+3, 5+6, 8+9+10+11), Ls.
- TURNS RATIO:  
 ( 4-3 ):( 2-1 ), ( 1 ):(1.00), ±1%.  
 ( 4-1 ):( 8-10 ), ( 6 ):(1.00), tie(2+3), ±1%.  
 ( 4-1 ):( 9-11 ), ( 6 ):(1.00), tie(2+3), ±1%.  
 ( 6-5 ):( 4-1 ), ( 1.25 ):(1.00), tie(2+3), ±1%.

OPERATING TEMPERATURE RANGE: -40°C to 125°C including temp. rise.  
 Designed for functional isolation

WE-Midcom, Inc. Watertown, SD USA Toll Free: 800-643-2661 Fax: 605-886-4486	Unless otherwise specified, tolerances are as follows: Angles: ±1°      Fractions: ±1/64 Decimals: ±.005 (.127mm)		WE-Midcom, Inc.	
	Drawing Title <b>Transformer</b>		Drawing Number <b>750313433</b>	Rev. <b>00</b>
This drawing is dual dimensioned. Dimensions in brackets are in millimeters	Revisions: See Sheet 1		Scale ----	Spec Sheet 1 of 1
Engineer:LJG			08/02/2012	