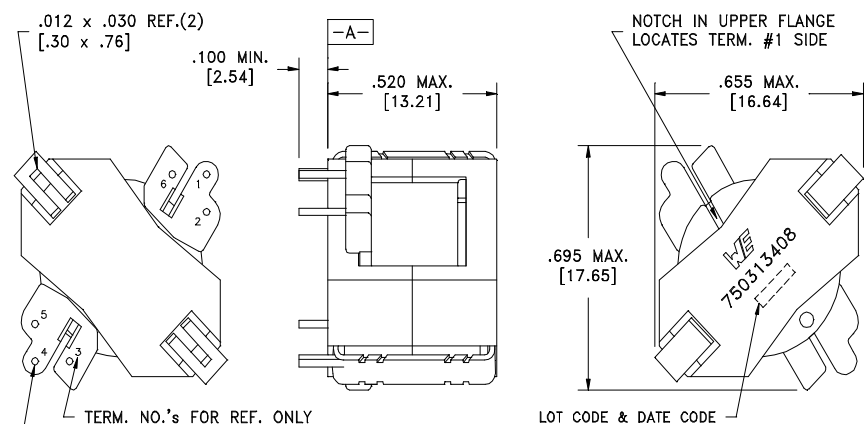
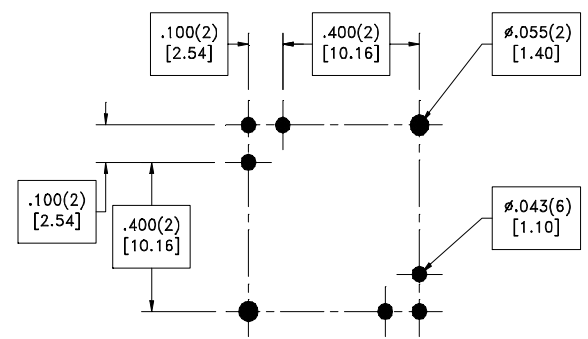
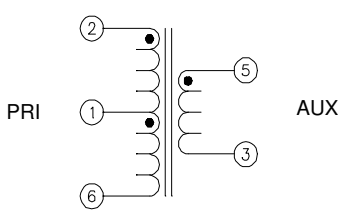


CUSTOMER TERMINAL	RoHS	LEAD(Pb)-FREE
Sn96%, Ag4%	Yes	Yes



TERM. NO.'s FOR REF. ONLY  
 $\phi$ .020(6)  
 [.50]  
 PART MUST INSERT FULLY TO SURFACE A IN RECOMMENDED GRID



RECOMMENDED P.C. PATTERN, COMPONENT SIDE

**ELECTRICAL SPECIFICATIONS @ 25°C unless otherwise noted:**

- D.C. RESISTANCE (@20°C): 2-1 , 0.730 Ohms ±10%.  
 1-6 , 0.072 Ohms ±10%.  
 5-3 , 0.310 Ohms ±10%.
- DIELECTRIC RATING: 500VAC, 1 minute tested by applying 625VAC for 1 second between pins 2-5.
- INDUCTANCE: 700μH ±10%, 10kHz, 100mVAC, 0mADC, 2-6, Ls.
- SATURATION CURRENT: 800mADC saturating current that causes 20% rolloff from initial inductance.
- LEAKAGE INDUCTANCE: 12μH max., 100kHz, 100mVAC, 2-6(tie 3+5), Ls.
- URNS RATIO:  
 ( 2-1 ):( 1-6 ), ( 2.27 ):(1.00), ±2%.  
 ( 2-1 ):( 5-3 ), ( 2.83 ):(1.00), ±2%.  
 ( 2-6 ):( 5-3 ), ( 4.08 ):(1.00), ±2%.

Reference Design

OPERATING TEMPERATURE RANGE: -40°C to +125°C including temp rise.

Safety Standard Undefined  
 Wire insulation & RoHS status not affected by wire color. Wire insulation color may vary depending on availability.

<b>WE-Midcom, Inc.</b> Watertown, SD USA Toll Free: 800-643-2661 Fax: 605-886-4486	Unless otherwise specified, tolerances are as follows: Angles: ±1°      Fractions: ±1/64 Decimals: ±.005 (.127mm)		<b>WE-Midcom, Inc.</b>	
	Drawing Title <h2 style="text-align: center;">Inductor</h2>		Drawing Number <h2 style="text-align: center;">750313408</h2>	Rev. <h2 style="text-align: center;">01</h2>
This drawing is dual dimensioned. Dimensions in brackets are in millimeters		Revisions: See Sheet 1		Scale ----      Spec Sheet 1 of 1
Engineer: EJK			03/10/2014	