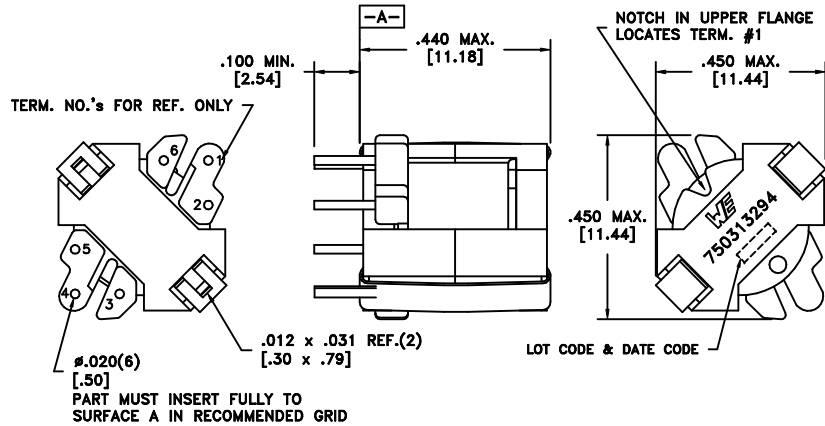


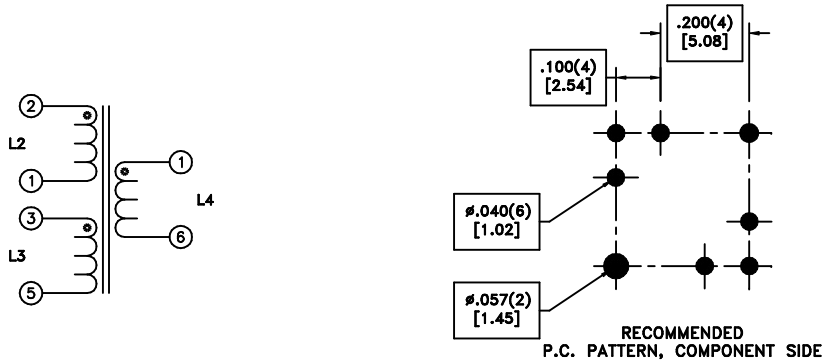
CUSTOMER TERMINAL	RoHS	LEAD(Pb)-FREE
Sn96%, Ag4%	Yes	Yes

more than you expect



ELECTRICAL SPECIFICATIONS @ 25°C unless otherwise noted:

PARAMETER	TEST CONDITIONS	VALUE
D.C. RESISTANCE	1-6 @20°C	0.220 ohms ±10%
D.C. RESISTANCE	2-1 @20°C	10.9 ohms ±10%
D.C. RESISTANCE	3-5 @20°C	6.50 ohms ±10%
INDUCTANCE	2-1 10kHz, 100mVAC, Ls	3.60mH ±10%
SATURATION CURRENT	20% rolloff from initial	300mA
LEAKAGE INDUCTANCE	2-1 tie(1+6, 3+5), 100kHz, 100mVAC, Ls	100uH typ., 150uH max.
DIELECTRIC	1-Core tie(2+3), 500VAC, 1 second	-
TURNS RATIO	(2-1):(3-5)	4:1, ±1%
TURNS RATIO	(2-1):(1-6)	8:1, ±1%



GENERAL SPECIFICATIONS:

OPERATING TEMPERATURE RANGE: -40°C to +125°C including temp rise.

Safety Standard Undefined.

Wire insulation & RoHS status not affected by wire color.
Wire insulation color may vary depending on availability.

REV.	DATE	Packaging Specifications Method: Tray PKG-0543 www.we-online.com/midcom		Tolerances unless otherwise specified: Angles: ±1° Decimals: ±.005 [.13] Fractions: ±1/64 Footprint: ±.001 [.03]	DRAWING TITLE TRANSFORMER	PART NO. 750313294
6A	11/12	SEE REVISION SHEET FOR REVISION LEVEL	CONVENTION PLACEMENT	This drawing is dual dimensioned. Dimensions in brackets are in millimeters.	eiSos p/n: 750313294	compliant RoHS SPECIFICATION SHEET 1 OF 1