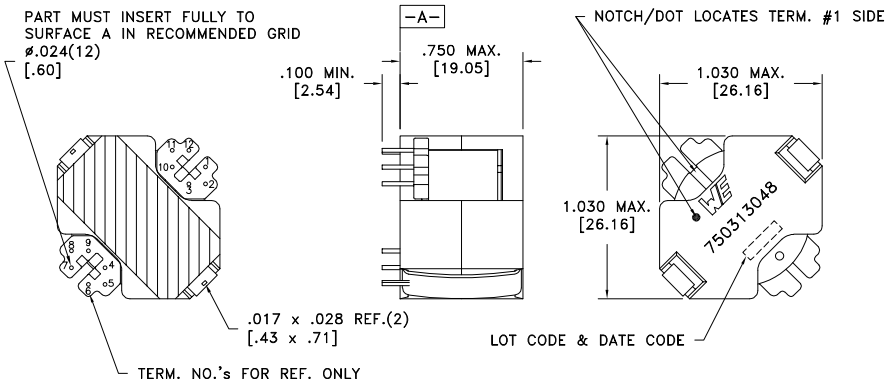


CUSTOMER TERMINAL	RoHS	LEAD(Pb)-FREE
Sn96%, Ag4%	Yes	Yes



PART MUST INSERT FULLY TO SURFACE A IN RECOMMENDED GRID
 ϕ .024(12)
 [.60]



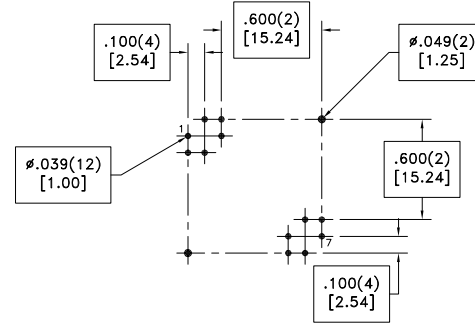
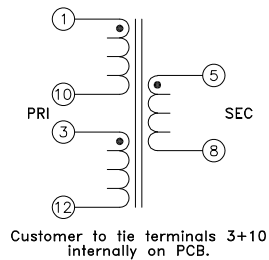
ELECTRICAL SPECIFICATIONS @ 25°C unless otherwise noted:

PARAMETER	TEST CONDITIONS	VALUE
D.C. RESISTANCE	1-12 tie(3+10), @20°C	0.230 ohms max.
D.C. RESISTANCE	5-8 @20°C	0.400 ohms max.
INDUCTANCE	1-12 tie(10+3), 10kHz, 100mVAC, Ls	390uH ±10%
DIELECTRIC	1-5 tie(10+3), 1875VAC, 1 second	1500VAC, 1 minute
URNS RATIO	(1-12):(5-8), tie(3+10)	10:1, ±2%

GENERAL SPECIFICATIONS:

OPERATING TEMPERATURE RANGE: -40°C to +125°C including temp rise.

Application of the transformer allows for the leadwires between terminals 3&10 to solder bridge.



Wire insulation & RoHS status not affected by wire color.
 Wire insulation color may vary depending on availability.

REV.	DATE	Packaging Specifications Method: Tray PKG-1175 www.we-online.com/midcom		Tolerances unless otherwise specified: Angles: $\pm 1^\circ$ Fractions: $\pm 1/64$	DRAWING TITLE INDUCTOR PFC	PART NO. 750313048
6C	5/23			Decimals: $\pm .005$ [.13] Footprint: $\pm .001$ [.03]		
6B	6/13			This drawing is dual dimensioned. Dimensions in brackets are in millimeters.		
6A	12/12	SEE REVISION SHEET FOR	REVISION LEVEL		eiSos p/n: 750313048	compliant RoHS SPECIFICATION SHEET 1 OF 1