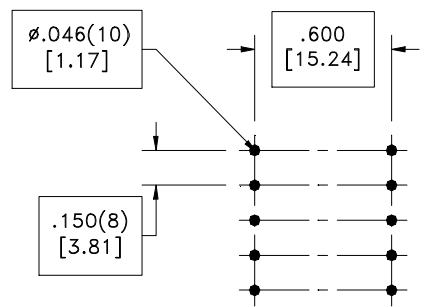
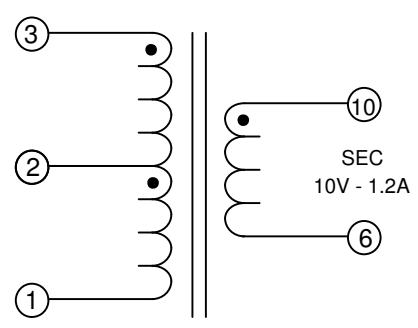
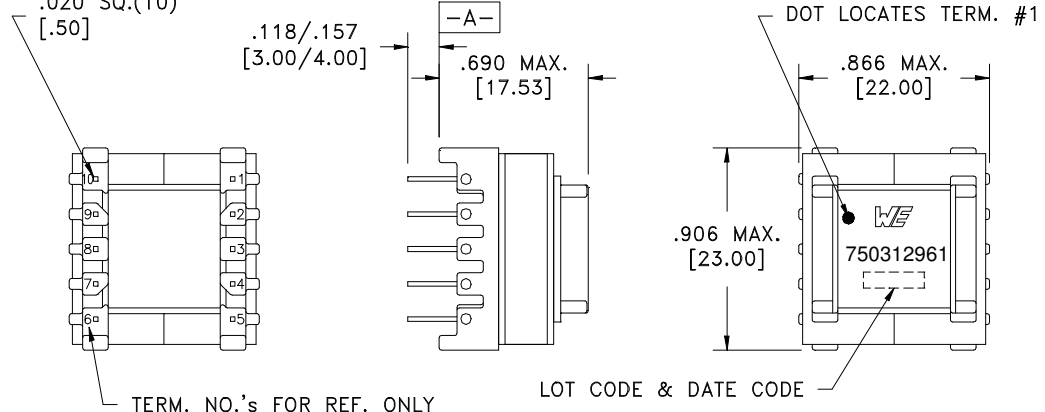


CUSTOMER TERMINAL	RoHS	LEAD(Pb)-FREE
Sn96%, Ag4%	Yes	Yes



PART MUST INSERT FULLY TO SURFACE A IN RECOMMENDED GRID .020 SQ.(10) [.50]



ELECTRICAL SPECIFICATIONS @ 25°C unless otherwise noted:

D.C. RESISTANCE (@20°C):	3-1, 1.91 Ohms ±10%. 10-6, 0.044 Ohms ±20%.
DIELECTRIC RATING:	1500VAC for 1 second between pins 1-10.
INDUCTANCE:	1.10 mH ±10%, 10kHz, 100mVAC, 0mADC, 3-1, Ls.
LEAKAGE INDUCTANCE:	10µH nom., 20µH max., 100kHz, 100mVAC, 3-1 (tie 10+6), Ls.
SATURATION CURRENT:	1.20ADC saturating current that causes 20% rolloff from initial inductance.
TURNS RATIO:	(3-1):(10-6), (6):(1.00), ±1%.

OPERATING TEMPERATURE RANGE: -40°C to 125°C including temp. rise.
 Safety Standard Undefined

T_0_4989

WE-Midcom, Inc. Watertown, SD USA Toll Free: 800-643-2661 Fax: 605-886-4486	Unless otherwise specified, tolerances are as follows: Angles: ±1° Fractions: ±1/64 Decimals: ±.005 (.127mm)		WE-Midcom, Inc.	
	Drawing Title <h1>Transformer</h1>		Drawing Number <h2>750312961</h2>	Rev. 00
This drawing is dual dimensioned. Dimensions in brackets are in millimeters	Revisions: See Sheet 1		Scale ----	Spec Sheet 1 of 1
Engineer: JJB			02/06/2012	