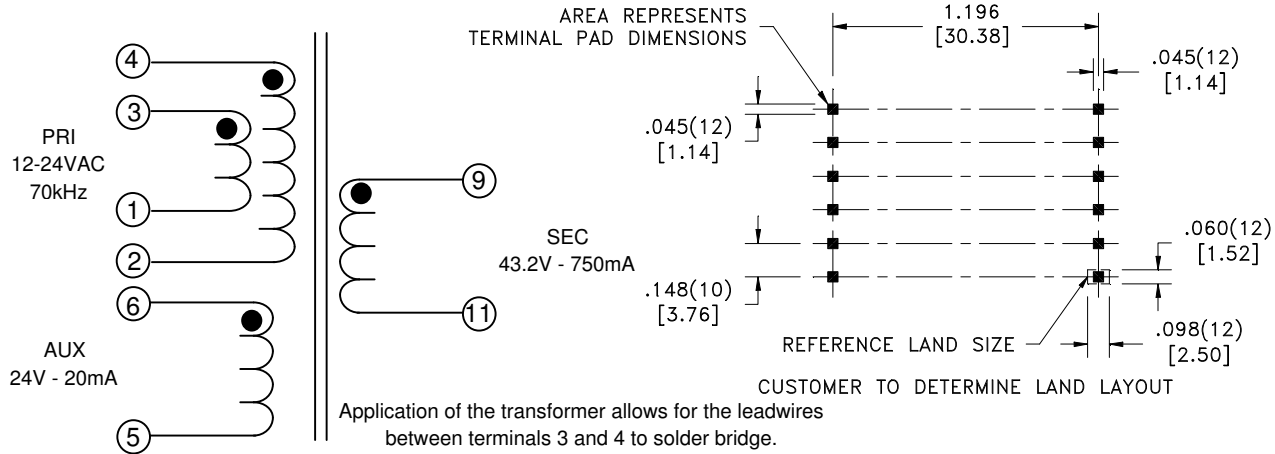
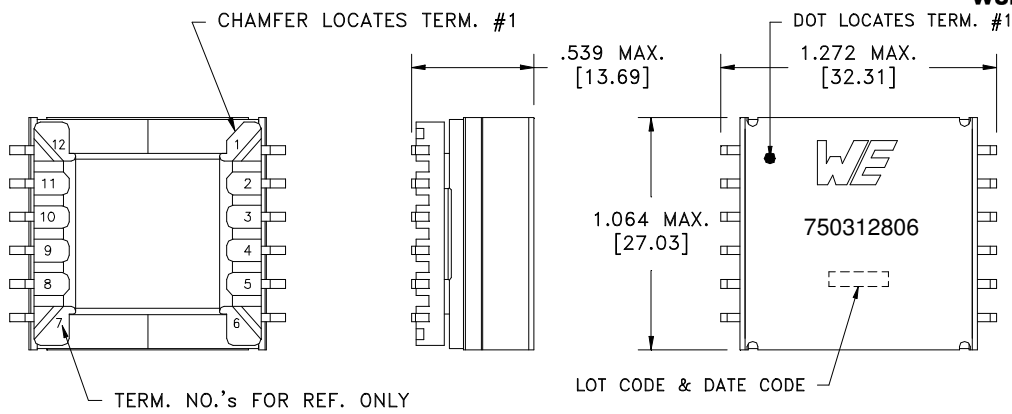


CUSTOMER TERMINAL	RoHS	LEAD(Pb)-FREE
Sn96%, Ag4%	Yes	Yes



ELECTRICAL SPECIFICATIONS @ 25°C unless otherwise noted:

D.C. RESISTANCE (@20°C):	1-3 , 0.030 Ohms max. 2-4 , 0.025 Ohms max. 5-6 , 0.233 Ohms ±10%. 9-11 , 0.075 Ohms ±20%.
DIELECTRIC RATING:	1500VAC, 1 minute tested by applying 1875VAC for 1 second between pins 1-11 (tie 3+4+5). 500VAC, 1 minute tested by applying 625VAC for 1 second between pins 1-6(tie 3+4).
INDUCTANCE:	10.0µH ±10%, 10kHz, 100mVAC, 0mADC, 1-4(1+2, 3+4), Ls.
SATURATION CURRENT:	Greater than 15A saturating current that causes 20% rolloff from initial inductance.
LEAKAGE INDUCTANCE:	125nH typ, 250nH max, 100kHz, 10mVAC, 1-4(tie 1+2, 3+4, 5+6, 9+11), Ls.
TURNS RATIO:	(3-1):(4-2), (1):(1.00), ±1%. (3-1):(6-5), (1):(1.00), ±1%. (9-11):(3-1), (2):(1.00), ±1%.

Designed for functional insulation
 OPERATING TEMPERATURE RANGE: -40°C to 125°C including temp. rise.

PC1_0_4476_C_0178

WE-Midcom, Inc. Watertown, SD USA Toll Free: 800-643-2661 Fax: 605-886-4486	Unless otherwise specified, tolerances are as follows: Angles: ±1° Fractions: ±1/64 Decimals: ±.005 (.127mm)		WE-Midcom, Inc.	
	Drawing Title <h1 style="text-align: center;">Transformer</h1>		Drawing Number <h2 style="text-align: center;">750312806</h2>	Rev. <h2 style="text-align: center;">02</h2>
Revisions: See Sheet 1		Scale ----	Sheet 2 of 5	
Engineer: LJG			01/26/2012	

This drawing is dual dimensioned.
 Dimensions in brackets are in millimeters