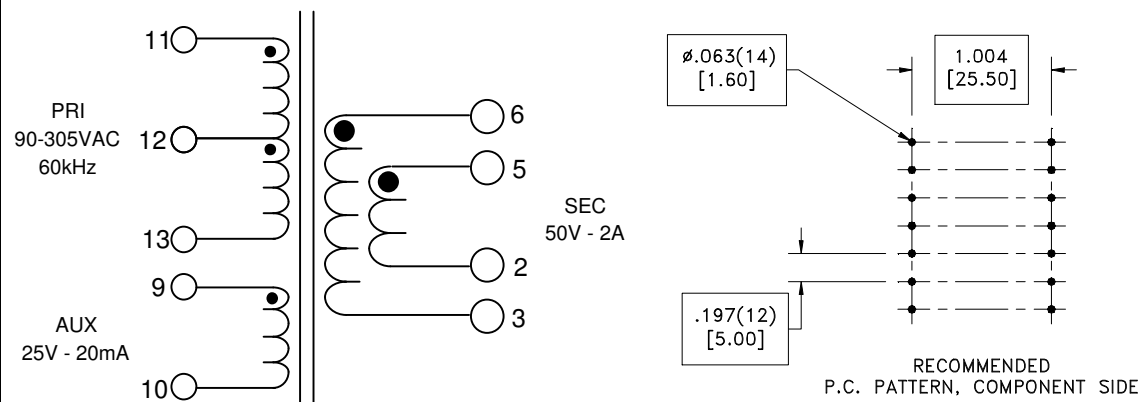
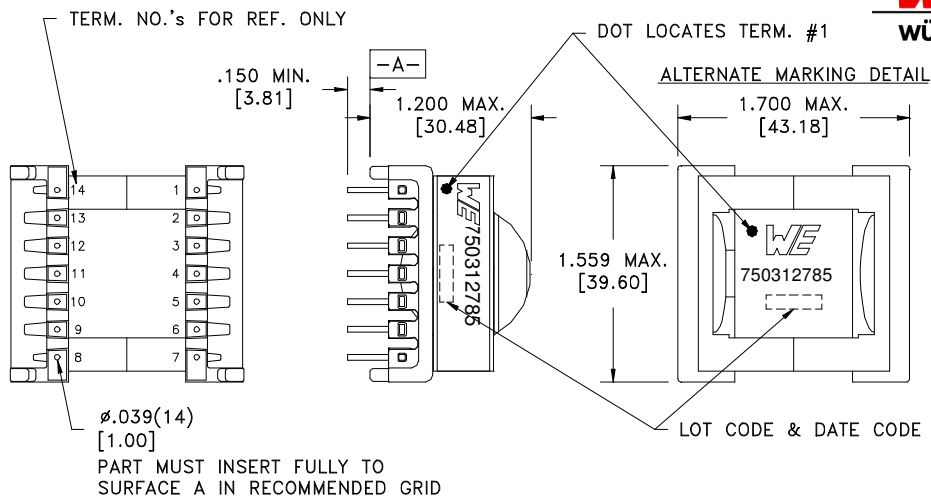


CUSTOMER TERMINAL	RoHS	LEAD(Pb)-FREE
Sn96%, Ag4%	Yes	Yes



ELECTRICAL SPECIFICATIONS @ 25°C unless otherwise noted:

- D.C. RESISTANCE (@20°C):
- 11-13 , 0.190 Ohms ±10%.
 - 9-10 , 0.170 Ohms ±10%.
 - 2-5 , 0.075 Ohms ±20%.
 - 3-6 , 0.065 Ohms ±20%.
- DIELECTRIC RATING:
- 4750VAC, 1 minute tested by applying 4750VAC for 1 second between pins 2-13(tie 5+6, 10+11).
 - 500VAC, 1 minute tested by applying 625VAC for 1 second between pins 9-13.
- INDUCTANCE:
- 140µH ±10%, 10kHz, 100mVAC, 0mADC, 11-13, Ls.
- SATURATION CURRENT:
- 10.5A saturating current that causes 20% rolloff from initial inductance.
- LEAKAGE INDUCTANCE:
- 2.0µH typ, 4.0µH max, 100kHz, 100mVAC, 11-13(tie 2+3+5+6, 9+10), Ls.
- TURNS RATIO:
- (11-12):(12-13), (1):(1.00), ±1%.
 - (11-13):(9-10), (6):(1.00), ±1%.
 - (11-13):(5-2), (3):(1.00), ±1%.
 - (11-13):(6-3), (3):(1.00), ±1%.

Designed to comply with the following requirements as defined by IEC61558-2-17:

- Reinforced insulation for a primary circuit at a working voltage of 430VDC.

OPERATING TEMPERATURE RANGE: -40°C to 125°C including temp. rise.

Wire insulation & RoHS status not affected by wire color. Wire insulation color may vary depending on availability. PC1_0_5455

WE-Midcom, Inc. Watertown, SD USA Toll Free: 800-643-2661 Fax: 605-886-4486	Unless otherwise specified, tolerances are as follows: Angles: ±1° Fractions: ±1/64 Decimals: ±.005(.127mm)		WE-Midcom, Inc.	
	Drawing Title Transformer		Drawing Number 750312785	Rev. 00
Revisions: See Sheet 1		Scale ----	Sheet 2 of 5	
Engineer:LJG		11/16/2011		

This drawing is dual dimensioned.
Dimensions in brackets are in millimeters