

CUSTOMER TERMINAL	RoHS	LEAD(Pb)-FREE
Sn96%, Ag4%	Yes	Yes



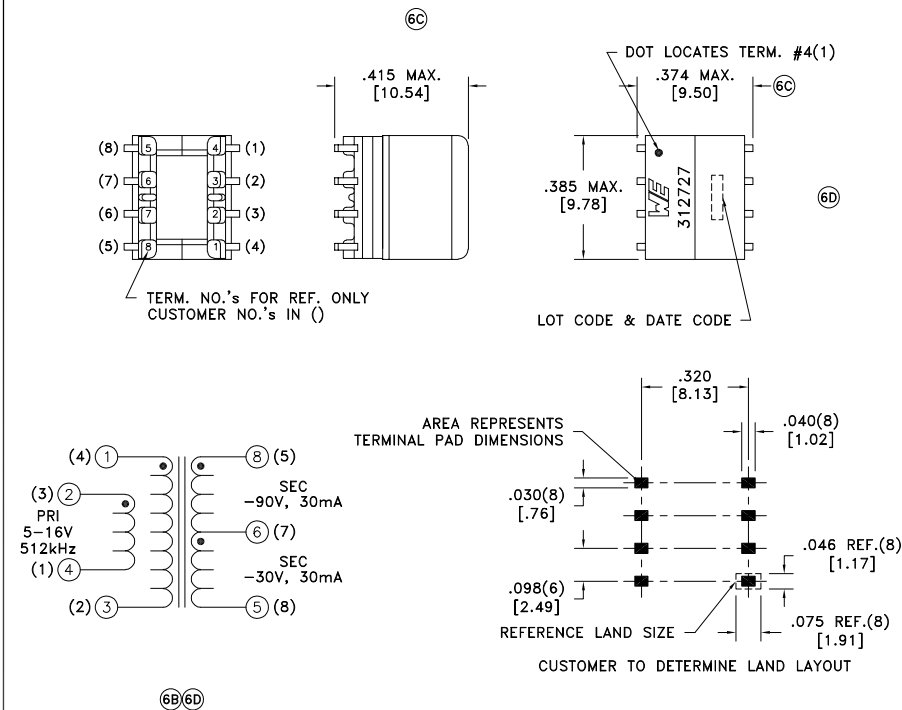
ELECTRICAL SPECIFICATIONS @ 25°C unless otherwise noted:

PARAMETER	TEST CONDITIONS	VALUE
D.C. RESISTANCE	1-4 tie(1+2, 3+4), @20°C	0.012 ohms max.
D.C. RESISTANCE	6-5 @20°C	0.750 ohms ±10%
D.C. RESISTANCE	8-6 @20°C	1.52 ohms ±10%
INDUCTANCE	1-4 tie(1+2, 3+4), 10kHz, 100mVAC, Ls	2.00uH ±5%
SATURATION CURRENT	20% rolloff from initial	10.4A
LEAKAGE INDUCTANCE	1-4 tie(1+2, 3+4, 5+8), 100kHz, 50mVAC, Ls	50nH typ., 75nH max.
DIELECTRIC	1-8 tie(3+4), 500VAC, 1 second	-
TURNS RATIO	(8-5):(1-4), tie(1+2, 3+4)	10:1, ±1%
TURNS RATIO	(8-6):(6-5)	2:1, ±1%

GENERAL SPECIFICATIONS:

OPERATING TEMPERATURE RANGE: -40°C to +85°C including temp rise.

Safety Standard Undefined.



Wire insulation & RoHS status not affected by wire color.
Wire insulation color may vary depending on availability.

REV.	DATE	Packaging Specifications		Tolerances unless otherwise specified:	DRAWING TITLE	PART NO.
6D	5/19	Method: Tape & Reel		Angles: ±1°	TRANSFORMER	750312727
6C	1/18	PKG-0410	Fractions: ±1/64	Decimals: ±.005 [.13]		
6B	11/17	www.we-online.com/midcom	Footprint: ±.005 [.13]			
6A	12/12	SEE REVISION SHEET FOR REVISION LEVEL		This drawing is dual dimensioned. Dimensions in brackets are in millimeters.	eiSos p/n: 750312727	SPECIFICATION SHEET 1 OF 1

