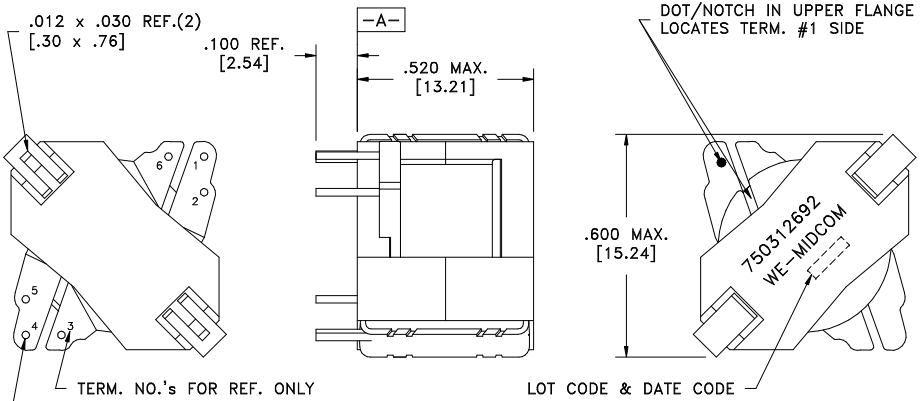
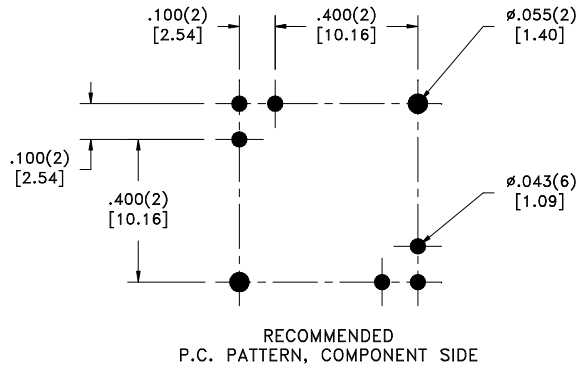
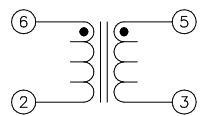


CUSTOMER TERMINAL	RoHS	LEAD(Pb)-FREE
Sn96%, Ag4%	Yes	Yes

more than you expect



TERM. NO.'s FOR REF. ONLY  
 φ.021(6)  
 [.53]  
 PART MUST INSERT FULLY TO  
 SURFACE A IN RECOMMENDED GRID



PRELIMINARY

ELECTRICAL SPECIFICATIONS @ 25°C unless otherwise noted:

PARAMETER	TEST CONDITIONS	VALUE
D.C. RESISTANCE	6-2 @20°C	0.20 Max.
D.C. RESISTANCE	5-3 @20°C	0.35 Max.
INDUCTANCE	6-2 100kHz, 10mVAC, Ls	270uH ±10%
INDUCTANCE	5-3 100kHz, 10mVAC, Ls	270uH ±10%
DIELECTRIC	6-5 600VAC, 1 second	500VAC, 1 minute
TURNS RATIO	(6-2):(5-3)	1:1, ±2%

REV.	DATE	Packaging Specifications	CONVENTION PLACEMENT
		Method: Tray PKG-0103 www.we-online.com/midcom	
00	9/11	SEE REVISION SHEET FOR REVISION LEVEL	

Tolerances unless otherwise specified:  
 Angles: ±1°      Decimals: ±.005 [.13]  
 Fractions: ±1/64      Footprint: ±.001 [.03]  
 This drawing is dual dimensioned. Dimensions  
 in brackets are in millimeters.

DRAWING TITLE  
**TRANSFORMER**  
 eiSos p/n: 750312692

PART NO.  
**750312692**  
 SPECIFICATION SHEET 2 OF 5

