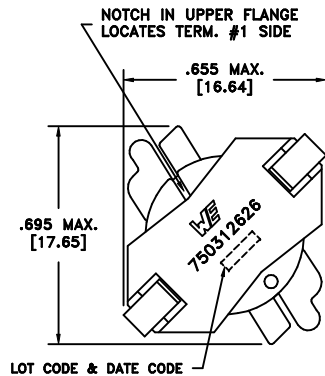
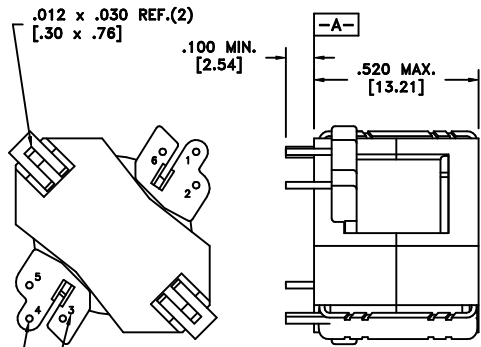


CUSTOMER TERMINAL	RoHS	LEAD(Pb)-FREE
Sn96%, Ag4%	Yes	Yes

more than you expect



TERM. NO.'s FOR REF. ONLY  
 #.020(6)  
 [.50]  
 PART MUST INSERT FULLY TO  
 SURFACE A IN RECOMMENDED GRID

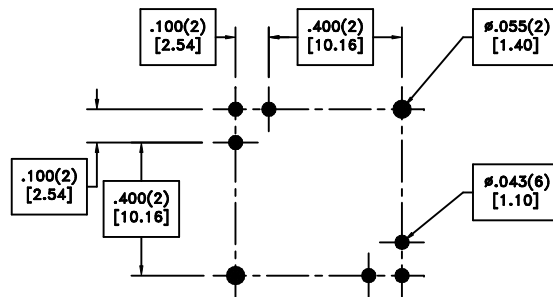
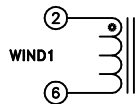
**ELECTRICAL SPECIFICATIONS @ 25°C unless otherwise noted:**

PARAMETER	TEST CONDITIONS	VALUE
D.C. RESISTANCE	2-6 @20°C	1.53 ohms ±10%
INDUCTANCE	2-6 10kHz, 100mVAC, Ls	2.10mH ±10%
SATURATION CURRENT	20% rolloff from initial	900mA

**GENERAL SPECIFICATIONS:**

OPERATING TEMPERATURE RANGE: -40°C to +125°C including temp rise.

Safety Standard Undefined.



RECOMMENDED  
P.C. PATTERN, COMPONENT SIDE

Wire insulation & RoHS status not affected by wire color.  
 Wire insulation color may vary depending on availability.

REV.	DATE	Packaging Specifications Method: Tray PKG-0103 www.we-online.com/midcom		Tolerances unless otherwise specified: Angles: ±1°      Decimals: ±.005 [.13] Fractions: ±1/64      Footprint: ±.001 [.03]	DRAWING TITLE INDUCTOR	PART NO. 750312626
6A	9/11	SEE REVISION SHEET FOR REVISION LEVEL		This drawing is dual dimensioned. Dimensions in brackets are in millimeters.	eiSos p/n: 750312626	compliant RoHS SPECIFICATION SHEET 1 OF 1