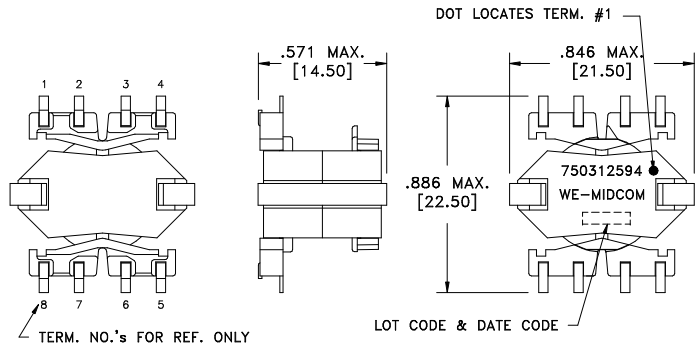


CUSTOMER TERMINAL	RoHS	LEAD(Pb)-FREE
Sn96%, Ag4%	Yes	Yes

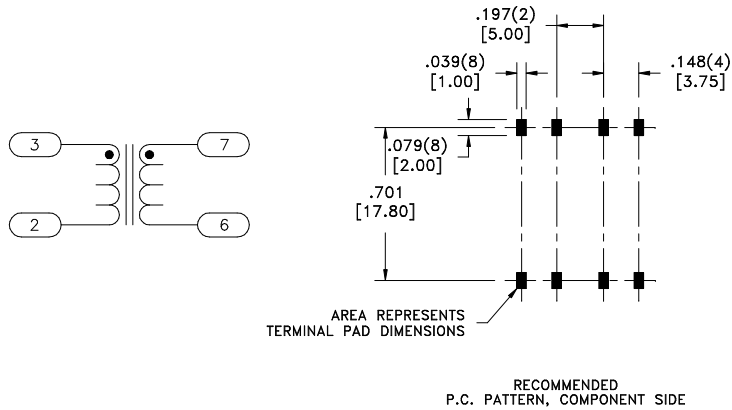


ELECTRICAL SPECIFICATIONS @ 25°C unless otherwise noted:

PARAMETER	TEST CONDITIONS	VALUE
D.C. RESISTANCE	3-2 @20°C	0.30 ohms max.
D.C. RESISTANCE	7-6 @20°C	0.45 ohms max.
INDUCTANCE	3-2 100kHz, 10mVAC, Ls	235uH±10%
DIELECTRIC RATING	3-7 3600 VAC, 1 second	3000 VAC, 1minute
TURNS RATIO	(3-2):(7-6)	4.67:1, ±2%

GENERAL SPECIFICATIONS:

OPERATING TEMPERATURE RANGE: -40°C to +125°C.



PRELIMINARY

REV.	DATE
00	8/11

DETAILS SUBJECT TO CHANGE

Packaging Specifications
Method: TAPE & REEL
PKG-XXXX
www.midcom-inc.com

Unless otherwise specified:
Tolerances: Fractions: ±1/64
Angles: ±1° Decimals: ±.005 [.127]

This drawing is dual dimensioned. Dimensions in brackets are in millimeters.

DRAWING TITLE
INDUCTOR

eiSos p/n: 750312594

Midcom WE
www.midcom-inc.com

DRAWING NO.
750312594

REVISIONS: SEE SHEET 1

SCALE ---

SHEET 2 OF 5