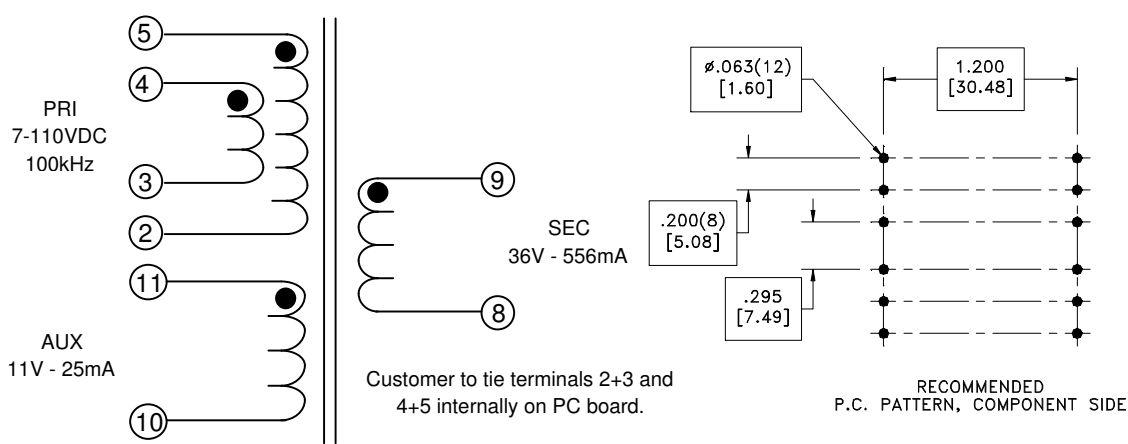
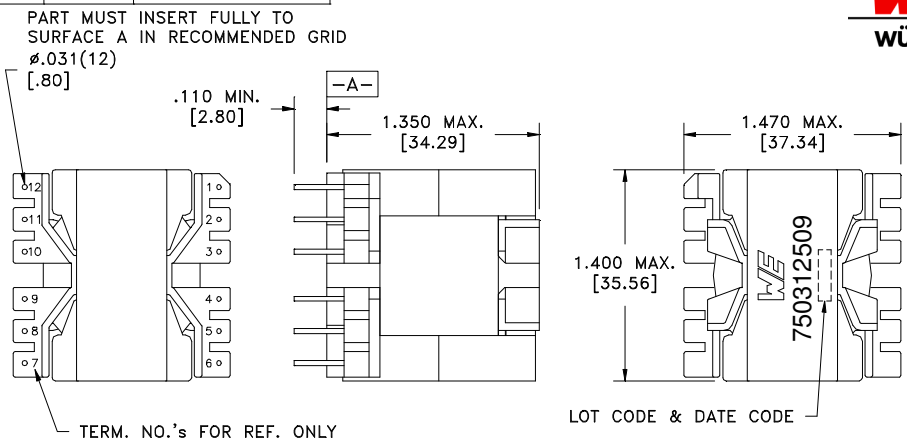


CUSTOMER TERMINAL	RoHS	LEAD(Pb)-FREE
Sn96%, Ag4%	Yes	Yes



ELECTRICAL SPECIFICATIONS @ 25°C unless otherwise noted:

D.C. RESISTANCE (@20°C):	2-5 (tie 2+3, 4+5), 0.041 Ohms $\pm 20\%$. 8-9, 0.465 Ohms $\pm 10\%$. 10-11, 2.28 Ohms $\pm 10\%$.
DIELECTRIC RATING:	1500VAC, 1 minute tested by applying 1875VAC for 1 second between pins 5-8(tie 2+11). 500VAC, 1 minute tested by applying 625VAC for 1 second between pins 2-11.
INDUCTANCE:	100 μ H $\pm 10\%$, 10kHz, 100mVAC, 0mADC, 2-5(tie 2+3, 4+5), Ls.
SATURATION CURRENT:	Greater than 15A saturating current that causes 20% rolloff from initial inductance.
LEAKAGE INDUCTANCE:	1.15 μ H typ, 3.0 μ H max, 100kHz, 100mVAC, 2-5(tie 2+3, 4+5, 8+9, 10+11), Ls.
URNS RATIO:	(5-2):(4-3), (1):(1.00), $\pm 1\%$. (5-2):(11-10), (1.68):(1.00), tie(2+3, 4+5), $\pm 1\%$. (9-8):(5-2), (1.88):(1.00), tie(2+3, 4+5), $\pm 1\%$.

Preliminary

Designed for 1500VAC isolation

OPERATING TEMPERATURE RANGE: -40°C to 125°C including temp. rise.

Safety Standard Undefined

T_0_4796

WE-Midcom, Inc.
 Watertown, SD USA
 Toll Free: 800-643-2661
 Fax: 605-886-4486

Unless otherwise specified, tolerances are as follows:
 Angles: $\pm 1^\circ$ Fractions: $\pm 1/64$
 Decimals: $\pm .005(.127\text{mm})$

Drawing Title
Transformer

WE-Midcom, Inc.

Drawing Number	Rev.
750312509	00

This drawing is dual dimensioned.
 Dimensions in brackets are in millimeters

Revisions: See Sheet 1

Scale ---- Sheet 2 of 5