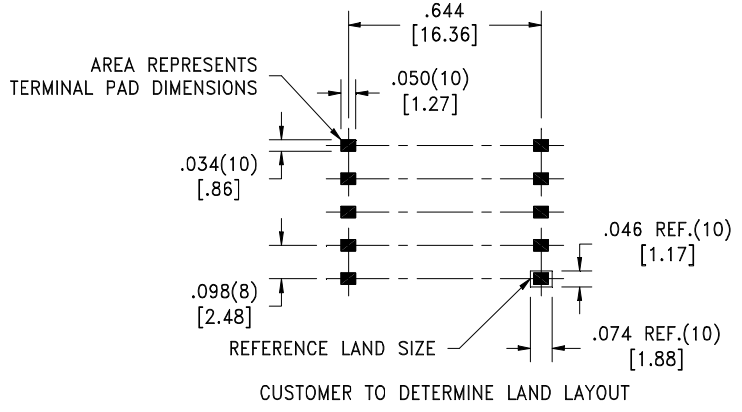
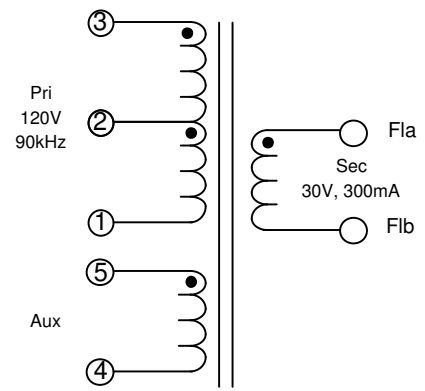
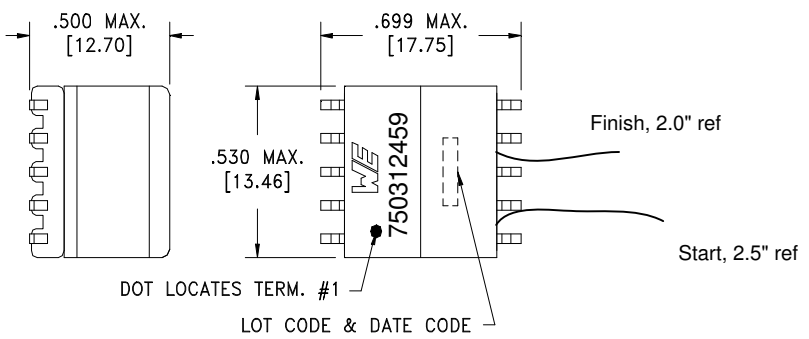
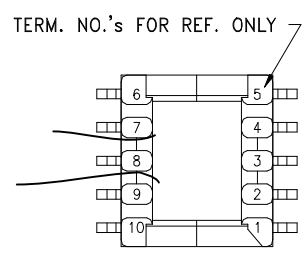


CUSTOMER TERMINAL	RoHS	LEAD(Pb)-FREE
Sn96%, Ag4%	Yes	Yes



**ELECTRICAL SPECIFICATIONS @ 25°C unless otherwise noted:**

D.C. RESISTANCE (@20°C):	3-1 , 1.70 Ohms ±10%. 5-4 , 1.12 Ohms ±10%. Fla-FLb , 0.680 Ohms ±10%.
DIELECTRIC RATING:	3000VAC, 1 minute tested by applying 3750VAC for 1 second between pins 3-Fla(3+5). 500VAC, 1 minute tested by applying 625VAC for 1 second between pins 3-5.
INDUCTANCE:	1.06 mH ±10%, 100kHz, 100mVAC, 0mADC, 3-1, Ls.
LEAKAGE INDUCTANCE:	14µH typ, 18µH max., 100kHz, 100mVAC, 3-1(5+4,Fla+FLb), Ls.
URNS RATIO:	( 3-1 ):( Fla-Flb ), ( 2.50):(1.00), ±1%. ( 3-1 ):( 5-4 ), ( 6.18):(1.00), ±1%.

Safety Standard Undefined

OPERATING TEMPERATURE RANGE: -40°C to 125°C including temp. rise.

Wire insulation & RoHS status not affected by wire color. Wire insulation color may vary depending on availability.

<b>WE-Midcom, Inc.</b> Watertown, SD USA Toll Free: 800-643-2661 Fax: 605-886-4486	Unless otherwise specified, tolerances are as follows: Angles: ±1°      Fractions: ±1/64 Decimals: ±.005 (.127mm)		<b>WE-Midcom, Inc.</b>	
	Drawing Title <h1>Transformer</h1>		Drawing Number <h2>750312459</h2>	Rev. 00
Revisions: See Sheet 1		Scale ----	Sheet 2 of 5	
Engineer:TST			06/17/2011	

This drawing is dual dimensioned.  
Dimensions in brackets are in millimeters