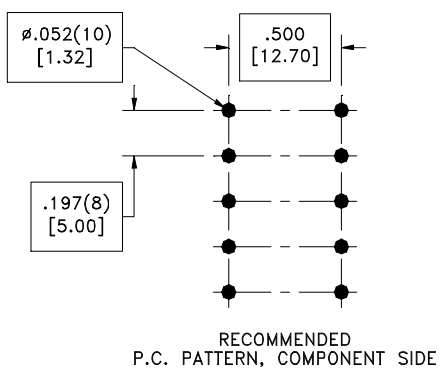
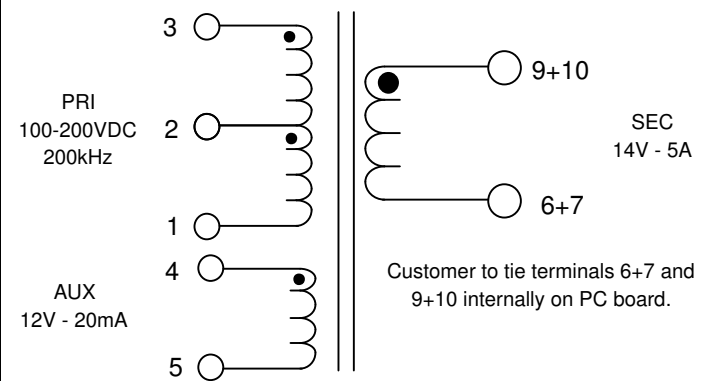
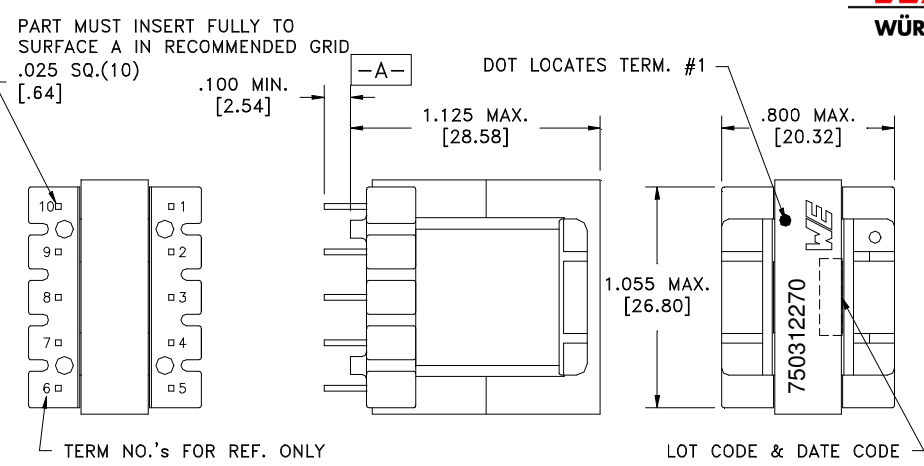


CUSTOMER TERMINAL	RoHS	LEAD(Pb)-FREE
Sn96%, Ag4%	Yes	Yes



ELECTRICAL SPECIFICATIONS @ 25°C unless otherwise noted:

D.C. RESISTANCE (@20°C):	1-3 , 0.245 Ohms ±10%. 6-10 (tie 6+7, 9+10), 0.021 Ohms ±20%. 4-5 , 0.709 Ohms ±10%.
DIELECTRIC RATING:	1500VAC, 1 minute tested by applying 1875VAC for 1 second between pins 1-10 (tie 3+4, 6+7). 500VAC, 1 minute tested by applying 625VAC for 1 second between pins 1-5.
INDUCTANCE:	300µH ±20%, 10kHz, 100mVAC, 0mADC, 1-3, Ls.
SATURATION CURRENT:	3.85A saturating current that causes 20% rolloff from initial inductance.
LEAKAGE INDUCTANCE:	6µH typ, 12µH max, 10kHz, 100mVAC, 1-3(4+5, 6+7+9+10), Ls.
URNS RATIO:	(3-1):(4-5), (5):(1.00), ±1%. (9-6):(10-7), (1):(1.00), ±1%. (3-1):(10-6), (5):(1.00), tie(6+7, 9+10), ±1%.

Wire insulation & RoHS status not affected by wire color. Wire insulation color may vary depending on availability.

OPERATING TEMPERATURE RANGE: -40°C to 125°C including temp. rise.

Designed to comply with the requirements as defined by UL1310

WE-Midcom, Inc. Watertown, SD USA Toll Free: 800-643-2661 Fax: 605-886-4486	Unless otherwise specified, tolerances are as follows: Angles: ±1° Fractions: ±1/64 Decimals: ±.005(.127mm)		WE-Midcom, Inc.	
	Drawing Title Transformer		Drawing Number 750312270	Rev. 02
Revisions: See Sheet 1		Scale ----	Sheet 2 of 5	
Engineer:LJG		07/18/2013		

This drawing is dual dimensioned.
Dimensions in brackets are in millimeters