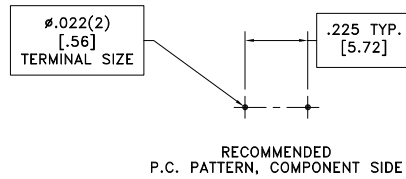
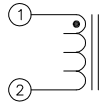
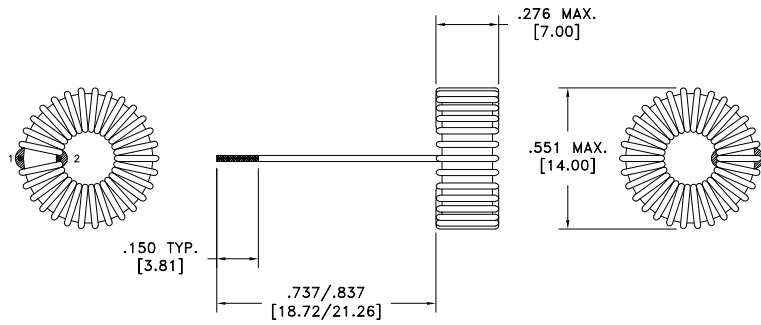


CUSTOMER TERMINAL	RoHS	LEAD(Pb)-FREE
Sn96%, Ag4%	Yes	Yes

6C



ELECTRICAL SPECIFICATIONS @ 25°C unless otherwise noted:

PARAMETER	TEST CONDITIONS	VALUE
6C 6B D.C. RESISTANCE	1-2 @20°C	65 mOhms max.
INDUCTANCE	1-2 10kHz, 100mVAC, Ls	103.4uH ±10%
DIELECTRIC	1-Core 500VAC, 1 second	-

GENERAL SPECIFICATIONS:

OPERATING TEMPERATURE RANGE: -40°C to +125°C including temp rise.

REV.	DATE	Packaging Specifications
6D	12/19	Method: Tray
6C	1/17	PKG-0776
6B	2/11	www.we-online.com/midcom
6A	12/10	SEE REVISION SHEET FOR



CONVENTION PLACEMENT

Tolerances unless otherwise specified:  
 Angles: ±1°      Decimals: ±.005 [.13]  
 Fractions: ±1/64      Footprint: ±.001 [.03]

This drawing is dual dimensioned. Dimensions in brackets are in millimeters.

DRAWING TITLE

**INDUCTOR**

eiSos p/n: 750311983

PART NO.

**750311983**

SPECIFICATION SHEET 1 OF 1