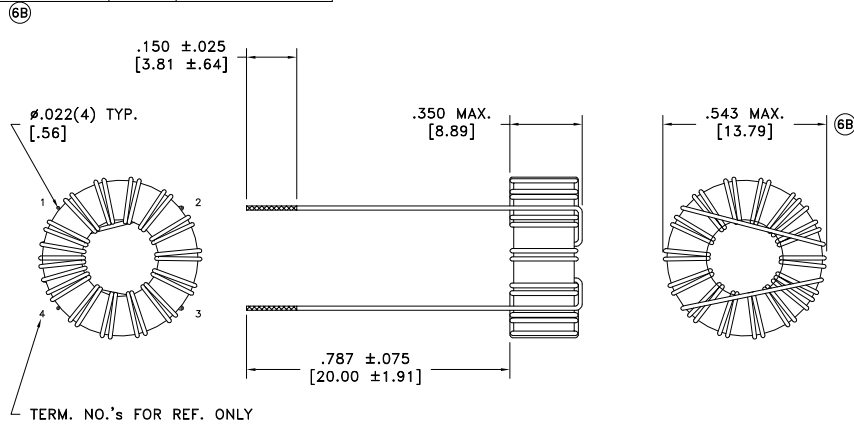


CUSTOMER TERMINAL	RoHS	LEAD(Pb)-FREE
Sn96%, Ag4%	Yes	Yes

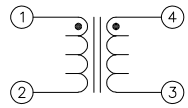


**ELECTRICAL SPECIFICATIONS @ 25°C unless otherwise noted:**

PARAMETER	TEST CONDITIONS	VALUE
D.C. RESISTANCE	1-2 @20°C	45 mOhms max.
D.C. RESISTANCE	4-3 @20°C	45 mOhms max.
INDUCTANCE	1-2 10kHz, 100mVAC, Ls	3.7 - 7.3mH
INDUCTANCE	4-3 10kHz, 100mVAC, Ls	3.7 - 7.3mH
DIELECTRIC	1-4 1500VAC, 1 second	-



TERM. NO.'s FOR REF. ONLY



**GENERAL SPECIFICATIONS:**

OPERATING TEMPERATURE RANGE: -40°C to +125°C including temp rise.

Wire insulation & RoHS status not affected by wire color.  
Wire insulation color may vary depending on availability.

REV.	DATE	Packaging Specifications Method: Tray PKG-0965 www.we-online.com/midcom		Tolerances unless otherwise specified: Angles: ±1° Fractions: ±1/64 Decimals: ±.005 [.13] Footprint: ±.001 [.03]	DRAWING TITLE <b>INDUCTOR</b>	PART NO. <b>750311982</b>
6C	12/19					
6B	1/17					
6A	12/13	SEE REVISION SHEET FOR	REVISION LEVEL	This drawing is dual dimensioned. Dimensions in brackets are in millimeters.	eiSos p/n: 750311982	SPECIFICATION SHEET 1 OF 1