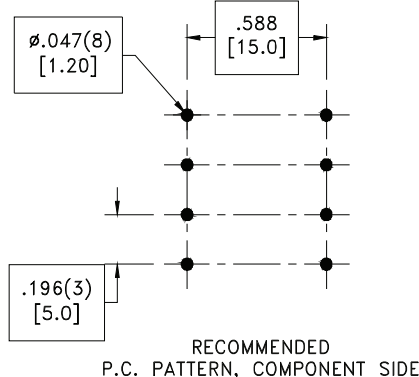
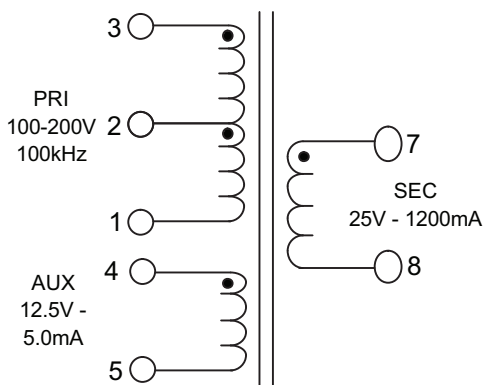
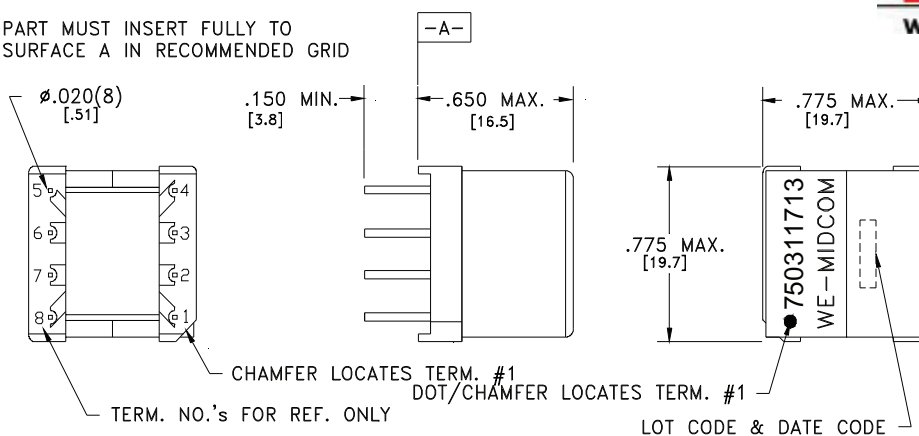


CUSTOMER TERMINAL	RoHS	LEAD(Pb)-FREE
Sn96%, Ag4%	Yes	Yes



PART MUST INSERT FULLY TO SURFACE A IN RECOMMENDED GRID



ELECTRICAL SPECIFICATIONS @ 25°C unless otherwise noted:

D.C. RESISTANCE (@20°C):	3-1, 0.42 Ohms $\pm 10\%$. 7-8, 0.04 Ohms $\pm 20\%$. 4-5, 0.08 Ohms $\pm 10\%$.
DIELECTRIC RATING:	500VAC, 1 minute tested by applying 625VAC for 1 second between pins 1-8 (tie 3+4).
INDUCTANCE:	336.50 μ H $\pm 10\%$, 10kHz, 100mVAC, 0mADC, 3-1, Ls.
SATURATION CURRENT:	1.85A saturating current that causes a typical 20% rolloff from initial inductance.
LEAKAGE INDUCTANCE:	3.0 μ H Typ., 4.5 μ H Max., 100kHz, 100mVAC, 3-1(4+5, 7+8), Ls.
URNS RATIO:	(3-1):(7-8), (3.625):(1.00), $\pm 2\%$. (3-1):(4-5), (6.444):(1.00), $\pm 2\%$.

Safety Standard Undefined
 Designed for functional operation only

OPERATING TEMPERATURE RANGE: -40°C to 85°C including temp. rise.

WE-Midcom, Inc. Watertown, SD USA Toll Free: 800-643-2661 Fax: 605-886-4486	Unless otherwise specified, tolerances are as follows: Angles: $\pm 1^\circ$ Fractions: $\pm 1/64$ Decimals: $\pm .005(.127\text{mm})$		WE-Midcom, Inc.	
	Drawing Title <h2 style="text-align: center;">Transformer</h2>		Drawing Number <h2 style="text-align: center;">750311713</h2>	Rev. <h2 style="text-align: center;">01</h2>
This drawing is dual dimensioned. Dimensions in brackets are in millimeters	Revisions: See Sheet 1		Scale ----	Sheet 2 of 5
Engineer:KSM			11/09/2010	