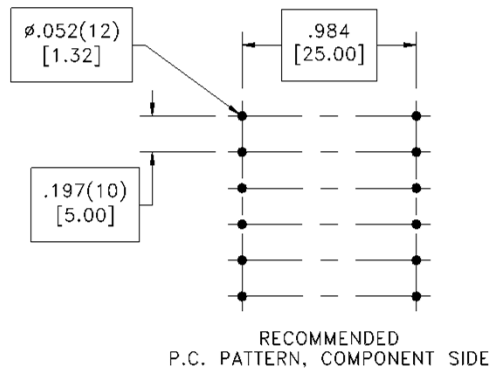
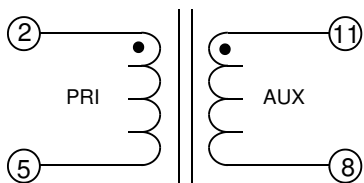
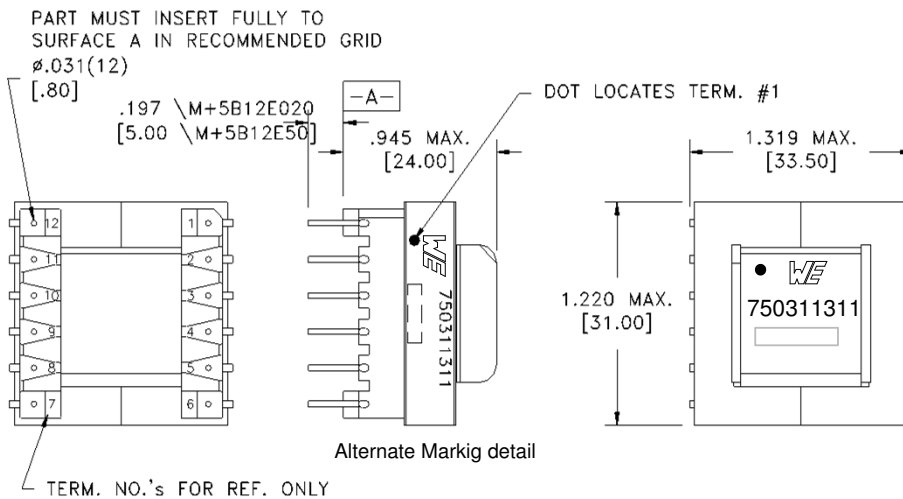


CUSTOMER TERMINAL	RoHS	LEAD(Pb)-FREE
Sn96%, Ag4%	Yes	Yes



ELECTRICAL SPECIFICATIONS @ 25°C unless otherwise noted:

D.C. RESISTANCE (@20°C):	2-5 , 0.130 Ohms max. 11-8 , 0.033 Ohms max.
DIELECTRIC RATING:	500VAC, 1 minute tested by applying 625VAC for 1 second between pins 2-11.
INDUCTANCE:	100.00 μ H \pm 10%, 100kHz, 100mVAC, 0mADC, 2-5, Ls.
TURNS RATIO:	(2-5):(11-8) , (10.00):(1.00) , \pm 1%.

Functional Insulation only

OPERATING TEMPERATURE RANGE: -40° to +125°C including temp rise

Wire insulation & RoHS status not affected by wire color. Wire insulation color may vary depending on availability.

WE-Midcom, Inc. Watertown, SD USA Toll Free: 800-643-2661 Fax: 605-886-4486	Unless otherwise specified, tolerances are as follows: Angles: $\pm 1^\circ$ Fractions: $\pm 1/64$ Decimals: $\pm .005 (.127\text{mm})$		WE-Midcom, Inc.	
	Drawing Title Transformer		Drawing Number 750311311	Rev. 01
This drawing is dual dimensioned. Dimensions in brackets are in millimeters	Revisions: See Sheet 1		Scale ----	Sheet 2 of 5
Engineer:TST			04/07/2016	