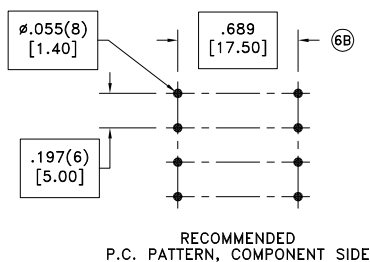
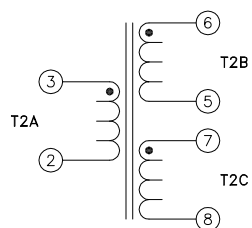
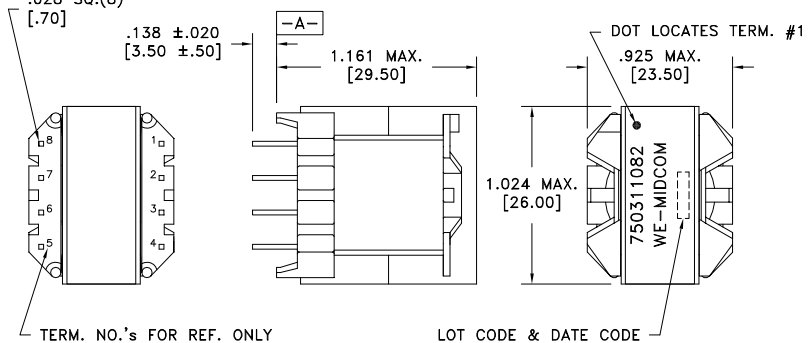


CUSTOMER TERMINAL	RoHS	LEAD(Pb)-FREE
Sn96%, Ag4%	Yes	Yes

more than you expect



PART MUST INSERT FULLY TO SURFACE A IN RECOMMENDED GRID .028 SQ.(8)



**ELECTRICAL SPECIFICATIONS @ 25°C unless otherwise noted:**

PARAMETER	TEST CONDITIONS	VALUE
D.C. RESISTANCE	3-2 @20°C	0.745 ohms max.
D.C. RESISTANCE	5-6 @20°C	0.070 ohms max.
D.C. RESISTANCE	7-8 @20°C	0.070 ohms max.
INDUCTANCE	3-2 10kHz, 100mVAC, Ls	2.50mH ±10%
LEAKAGE INDUCTANCE	3-2 tie(5+6+7+8), 100kHz, 100mVAC, Ls	230uH typ.
DIELECTRIC	2-8 tie(6+7), 2500VAC, 1 second	2000VAC, 1 minute
DIELECTRIC	6-7 2500VAC, 1 second	2000VAC, 1 minute
URNS RATIO	(3-2):(6-5)	30:1, ±1%
URNS RATIO	(3-2):(7-8)	30:1, ±1%

**GENERAL SPECIFICATIONS:**

OPERATING TEMPERATURE RANGE: -40°C to +125°C including temp rise.

REV.	DATE	Packaging Specifications Method: Tray PKG-0824 www.we-online.com/midcom		Tolerances unless otherwise specified: Angles: ±1° Fractions: ±1/64 Decimals: ±.005 [.13] Footprint: ±.001 [.03]	DRAWING TITLE <b>TRANSFORMER</b>	PART NO. <b>750311082</b>
6C	7/12					
6B	7/11					
6A	4/10	SEE REVISION SHEET FOR REVISION LEVEL		This drawing is dual dimensioned. Dimensions in brackets are in millimeters.	eiSos p/n: 750311082	SPECIFICATION SHEET 1 OF 1

