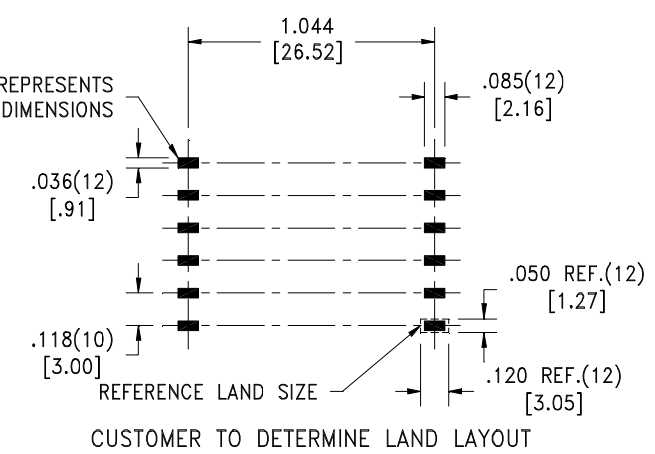
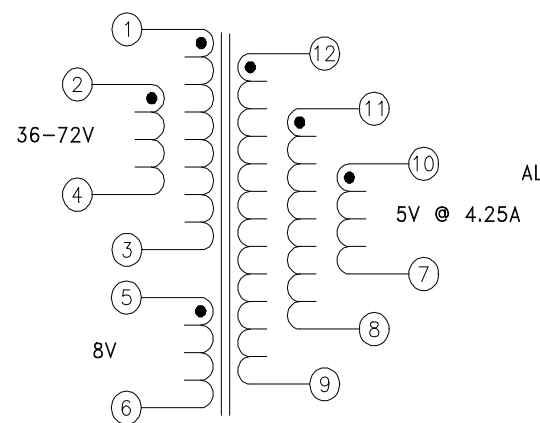
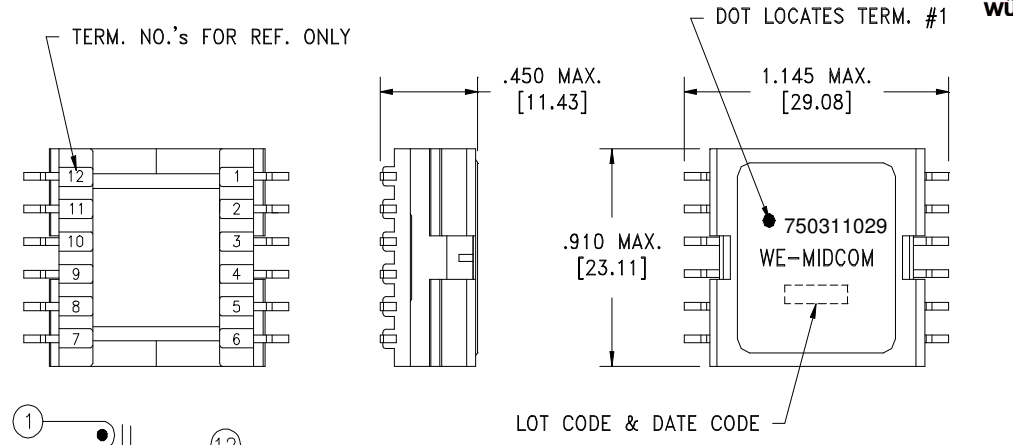


|                   |      |               |
|-------------------|------|---------------|
| CUSTOMER TERMINAL | RoHS | LEAD(Pb)-FREE |
| Sn96%, Ag4%       | Yes  | Yes           |



Application of the transformer allows for the following groups of wires to solder bridge:  
1&2, 3&4, 10&11&12, and 7&8&9.

**ELECTRICAL SPECIFICATIONS @ 25°C unless otherwise noted:**

- D.C. RESISTANCE (@20°C):  
 1-3 (tie 1+2,3+4), 0.075 Ohms ±20%.  
 7-12 (tie 7+8+9,10+11+12), 0.0180 Ohms max.  
 5-6, 0.146 Ohms ±20%.
- DIELECTRIC RATING: 1500VAC, 1 minute tested by applying 1875VAC for 1 second between pins 1-12.
- INDUCTANCE:  
 100.0µH ±10%, 250kHz, 700mVAC, 0mADC, 1-3(tie 1+2,3+4), Ls.  
 100.0µH ±10%, 250kHz, 700mVAC, 2.25ADC, 1-3(tie 1+2,3+4), Ls.
- LEAKAGE INDUCTANCE: 2.0µH max., 250kHz, 100mVAC, 1-3(tie 1+2,3+4,7+8+9+10+11+12), Ls.
- URNS RATIO:  
 ( 1-3):( 12-9 ), ( 5 ): (1.00), ±2%.  
 ( 1-3):( 11-8 ), ( 5 ): (1.00), ±2%.  
 ( 1-3):( 10-7 ), ( 5 ): (1.00), ±2%.  
 ( 1-3):( 5-6 ), ( 3 ): (1.00), ±2%.  
 ( 1-3):( 2-4 ), ( 1 ): (1.00), ±1%.

OPERATING TEMPERATURE RANGE: -40°C to 125°C.  
 Wire insulation & RoHS status not affected by wire color. Wire insulation color may vary depending on availability.

|  |   |            |                                      |            |
|--|---|------------|--------------------------------------|------------|
| <b>Midcom, Inc.</b><br>Watertown, SD USA<br>Toll Free: 800-643-2661<br>Fax: 605-886-4486 | Unless otherwise specified, tolerances are as follows:<br>Angles: ±1°      Fractions: ±1/64<br>Decimals: ±.005 (.127mm) |            | <b>Midcom, Inc.</b>                  |            |
|  | Drawing Title<br><h1>Transformer</h1>   |            | Drawing Number<br><h2>750311029</h2> | Rev.<br>06 |
| Revisions: See Sheet 1   |   | Scale ---- | Sheet 2 of 5                         |            |
| Engineer:PLP   |   | 09/15/2010 |                                      |            |

This drawing is dual dimensioned.  
 Dimensions in brackets are in millimeters