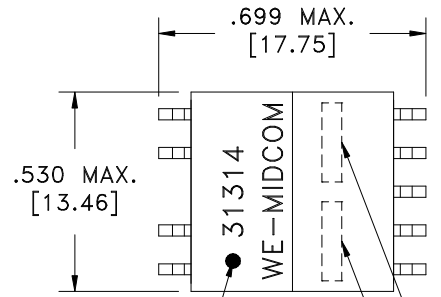
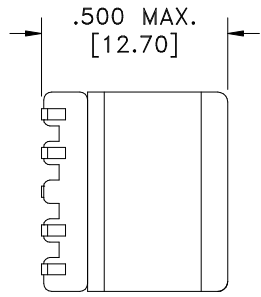
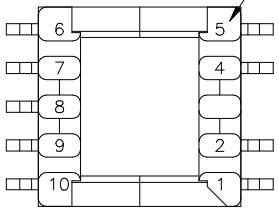
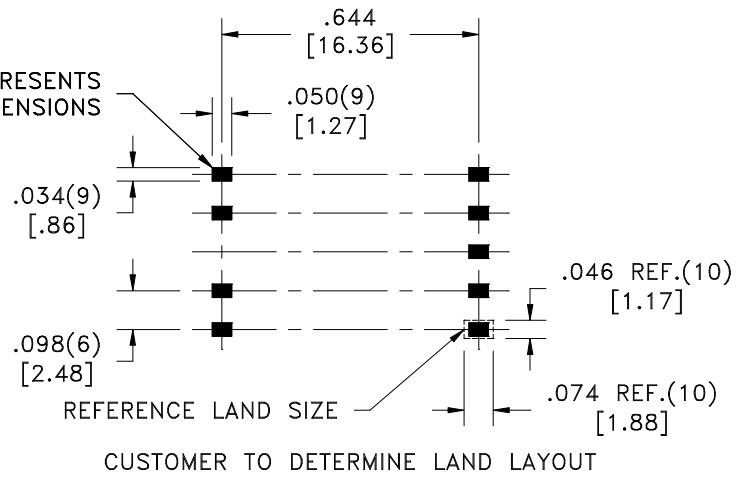
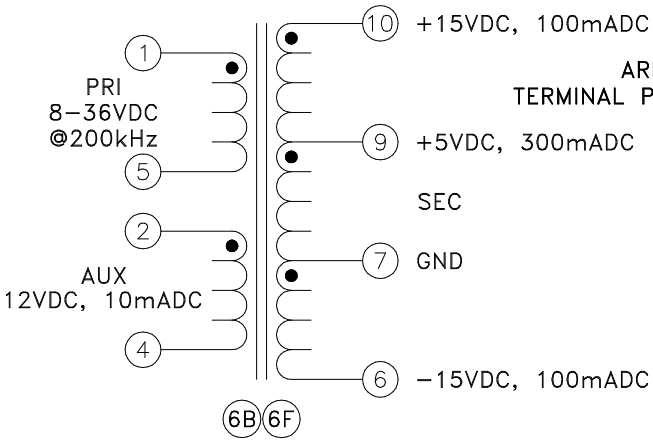


SOLDER SUFFIX	CUSTOMER TERMINAL	RoHS	LEAD(Pb)-FREE	(6F)
	Sn63%, Pb37%	No	No	
LF1	Sn96%, Ag4%	Yes	Yes	

TERM. NO.'s FOR REF. ONLY



DOT LOCATES TERM. #1 (6E)(6F)  
 LOT CODE & DATE CODE  
 SOLDER SUFFIX



(6C)

ELECTRICAL SPECIFICATIONS @ 25°C unless otherwise noted:

- D.C. RESISTANCE (@20°C):  
 1-5, 0.180 ohms max.  
 2-4, 0.220 ohms max.  
 10-6, 0.500 ohms max.
- DIELECTRIC RATING: 1500VAC, 1 minute tested by applying 1875VAC for 1 second between 1-10; 2-10.
- INDUCTANCE: 80uH ±14%, 100kHz, 100mVAC, 1-5, Ls.
- (6B) TURNS RATIO:  
 (1-5):(2-4) = 1.666:1, ±1%.  
 (1-5):(10-7) = 1.428:1, ±1%.  
 (1-5):(9-7) = 4:1, ±1%.  
 (1-5):(7-6) = 1.428:1, ±1%.

Midcom p/n 31314R-LF1 is eiSos p/n: 750031314

DETAILS SUBJECT TO CHANGE

Unless otherwise specified:  
 Tolerances:  
 Angles: ±1°  
 Fractions: ±1/64  
 Decimals: ±.005[.13]

This drawing is dual dimensioned.  
 Dimensions in brackets are in millimeters.

DRAWING TITLE  
**TRANSFORMER**

eiSos p/n: 750031314

SEE REVISION SHEET FOR REVISION LEVEL

Midcom WE  
 www.midcom-inc.com

PART NO. (6F) REV. 6F  
**31314R/-LF1**  
 7/08

SPECIFICATION SHEET 1 OF 1

PART #  
 31314R/-LF1