

TECHNICAL CHARACTERISTICS

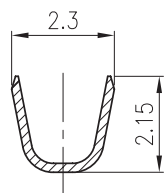
MATERIAL  
 CONTACT MATERIAL: COPPER ALLOY  
 CONTACT TYPE: STAMPED  
 CONTACT PLATING: TIN  
 QUALITY CLASS: 25 MATING CYCLES  
 PITCH: 2.50MM

ENVIRONMENTAL  
 OPERATING TEMPERATURE: -40 UP TO 105°C  
 COMPLIANCE: LEAD FREE AND ROHS

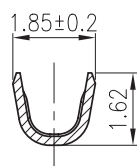
ELECTRICAL  
 CURRENT RATING: 3A  
 WORKING VOLTAGE: 250V AC  
 CONTACT RESISTANCE: 20 mOHM MAX

DIMENSION  
 AWG: AWG 28 - 22

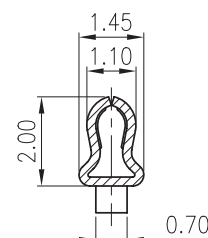
PACKAGING  
 1000PCS REEL



Section:A-A

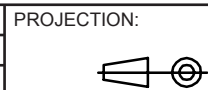


Section:B-B



Section:C-C

RoHS Compliant			
G			
F			
E			
D			
C	07-AUG-17	TPK	AK
B	06-AUG-13	CHARACTERISTIC	QL
A	12-MAR-09	PDF	JP
REV	DATE	FILE	BY



APPROVAL: BBu

GENERAL TOLERANCE

.X =  $\pm 0.2$   
 .XX =  $\pm 0.15$



UNIT: MM

SCALE:

SHEET: 1/3

DRAW: MIKE

DESCRIPTION: 2.50 MM FEMALE CRIMP TERMINAL

WERI PART NO: 646 101 137 22

SIZE

**A4**

1

2

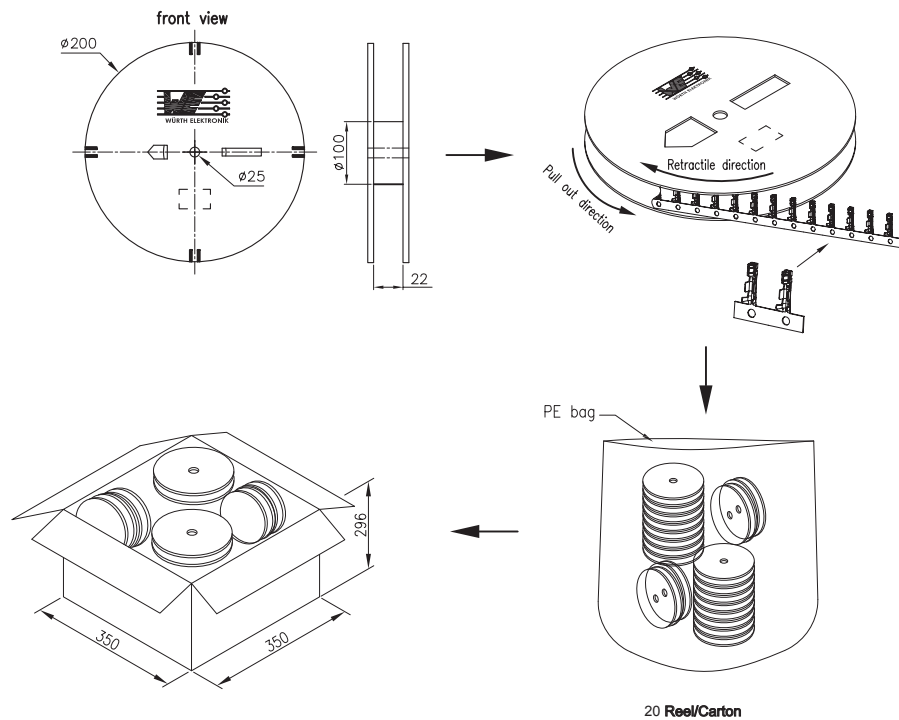
3

4

5

Note :

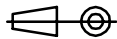
1. All dimensions meet EIA-481-3 requirements.
2. Material : WH Conductive polystyrene Alloy.
3. Thickness :  $0.50 \pm 0.05$ mm.



Q'tY/Reel	Reel/Carton	Q'tY/Carton
1 Kpcs	20	20Kpcs

RoHS Compliant

PROJECTION:



GENERAL TOLERANCE

.X =  $\pm 0.2$ .XX =  $\pm 0.15$ 

APPROVAL: BBu

UNIT: MM

SCALE:

SHEET: 2/3

DRAW: MIKE

DESCRIPTION: 2.50 MM FEMALE CRIMP TERMINAL

WERI PART NO: 646 101 137 22

SIZE

**A4**

REV	DATE	FILE	BY
G			
F			
E			
D			
C			
B			
A			

1

2

3

4

5

## Cautions and Warnings:

This electronic component is designed and developed with the intention for use in general electronics equipments.

Before incorporating the components into any equipments in the field such as aerospace, aviation, nuclear control, submarine, transportation, (automotive control, train control, ship control), transportation signal, disaster prevention, medical, public information network etc. where higher safety and reliability are especially required or if there is possibility of direct damage or injury to human body, Würth Elektronik must be asked for a written approval.

In addition, even electronic component in general electronic equipments, when used in electrical circuits that require high safety, reliability functions or performance, the sufficient reliability evaluation-check for the safety must be performed before by the user before usage.

A

B

C

RoHS Compliant

PROJECTION:



GENERAL TOLERANCE

.X = +/- 0.2

.XX = +/- 0.15



APPROVAL: JC

UNIT: MM

SCALE:

SHEET: 3/3

DRAW: QL

DESCRIPTION: DISCLAIMER

WERI PART NO: DISCLAIMER

SIZE

**A4**

D

G					GENERAL TOLERANCE .X = +/- 0.2 .XX = +/- 0.15		DESCRIPTION: DISCLAIMER	SIZE <b>A4</b>
F								
E								
D								
C				APPROVAL: JC	UNIT: MM SCALE: SHEET: 3/3 DRAW: QL	DESCRIPTION: DISCLAIMER WERI PART NO: DISCLAIMER	SIZE <b>A4</b>	
B								
A	10-SEP-14	PDF	QL					
REV	DATE	FILE	BY					