

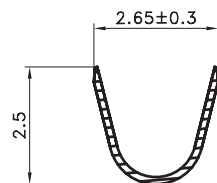
1

2

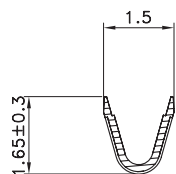
3

4

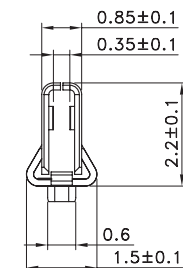
5



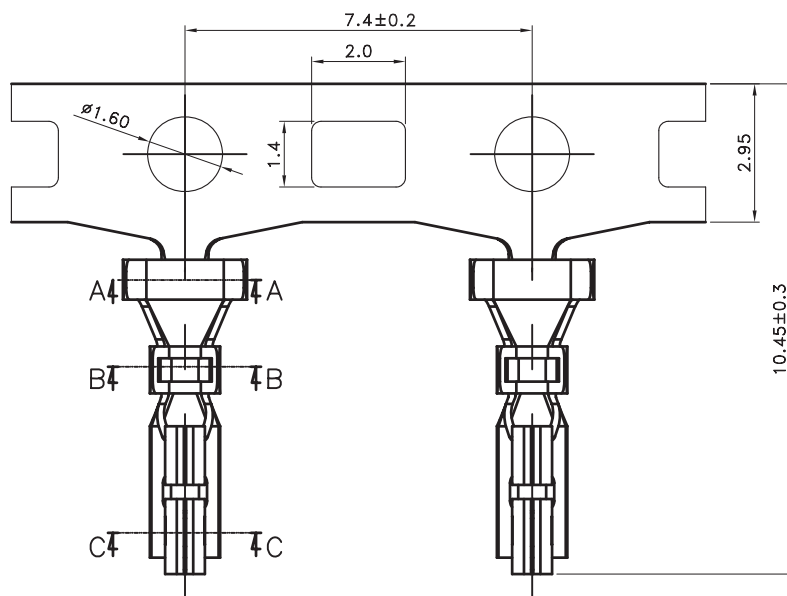
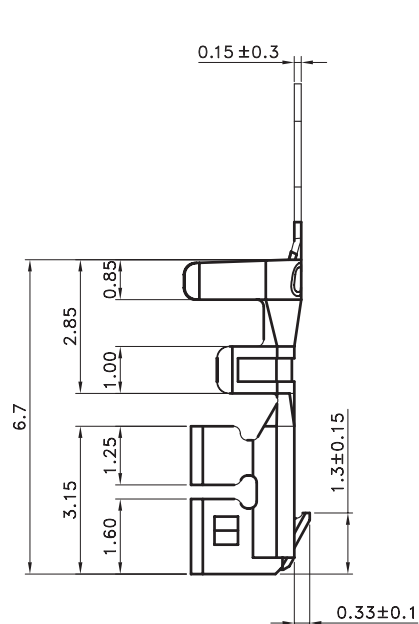
SEC.A-A



SEC.B-B



SEC.C-C



## TECHNICAL CHARACTERISTICS

MATERIAL  
 CONTACT MATERIAL: COPPER ALLOY  
 CONTACT TYPE: STAMPED  
 CONTACT PLATING: TIN  
 QUALITY CLASS: 25 MATING CYCLES  
 PITCH: 2.00 MM

ENVIRONMENTAL  
 OPERATING TEMPERATURE: -25 UP TO 85°C  
 COMPLIANCE: LEAD FREE AND ROHS

ELECTRICAL  
 CURRENT RATING: 3 A  
 WORKING VOLTAGE: 250 VAC  
 CONTACT RESISTANCE: 20 mOHM MAX

WIRE DIMENSION  
 AWG: AWG 22 - 28

PACKAGING  
 1000 PCS REEL

RoHS Compliant

|     |           |                |    |
|-----|-----------|----------------|----|
| G   |           |                |    |
| F   |           |                |    |
| E   | 25-JAN-16 | TPK UPDATE     | AK |
| D   | 24-SEP-13 | TOL REVIEW     | QL |
| C   | 06-AUG-13 | CHARACTERISTIC | QL |
| B   | 29-JUL-13 | DWG & CARAC    | QL |
| A   | 15-MAY-12 | PDF            | GG |
| REV | DATE      | FILE           | BY |

PROJECTION:



APPROVAL: BBu

GENERAL TOLERANCE

.X =  $\pm 0.3$ .XX =  $\pm 0.2$ 

UNIT: MM

SCALE:

SHEET: 1/3

DRAW: MIKE

DESCRIPTION: 2.00 MM DUAL ROW FEMALE CRIMP TERMINAL

WERI PART NO: 624 101 137 22

SIZE

A4

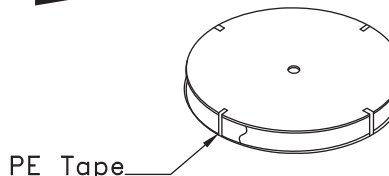
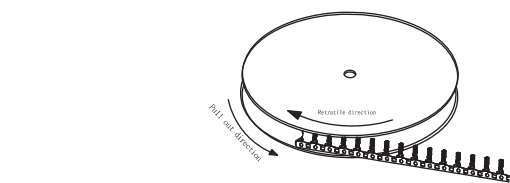
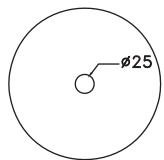
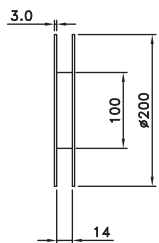
1

2

3

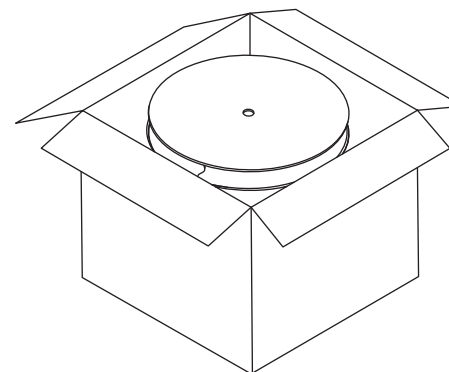
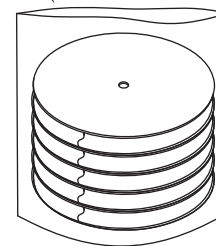
4

5

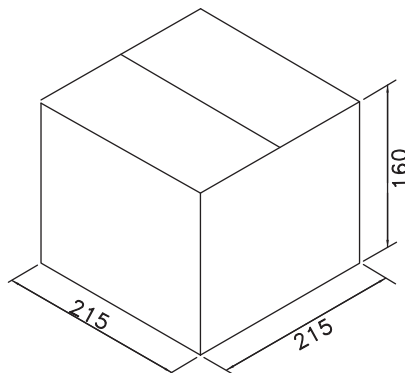


1000pcs/1reel

PE BAG



5Reels/1Carton



A

B

C

D

|                |      |      |    |
|----------------|------|------|----|
| RoHS Compliant |      |      |    |
| G              |      |      |    |
| F              |      |      |    |
| E              |      |      |    |
| D              |      |      |    |
| C              |      |      |    |
| B              |      |      |    |
| A              |      |      |    |
| REV            | DATE | FILE | BY |

PROJECTION:

GENERAL TOLERANCE  
 .X = +/- 0.2  
 .XX = +/- 0.15



APPROVAL: BBu

UNIT: MM  
 SCALE:  
 SHEET: 2/3  
 DRAW: MIKE

DESCRIPTION: 2.00 MM DUAL ROW FEMALE CRIMP TERMINAL  
 WERI PART NO: 624 101 137 22

SIZE  
**A4**

1

2

3

4

5

## Cautions and Warnings:

This electronic component is designed and developed with the intention for use in general electronics equipments.

Before incorporating the components into any equipments in the field such as aerospace, aviation, nuclear control, submarine, transportation, (automotive control, train control, ship control), transportation signal, disaster prevention, medical, public information network etc. where higher safety and reliability are especially required or if there is possibility of direct damage or injury to human body, Würth Elektronik must be asked for a written approval.

In addition, even electronic component in general electronic equipments, when used in electrical circuits that require high safety, reliability functions or performance, the sufficient reliability evaluation-check for the safety must be performed before by the user before usage.

A

B

C

RoHS Compliant

|     |           |      |    |  |   |   |                   |
|-----|-----------|------|----|--|---|---|-------------------|
| G   |           |      |    | PROJECTION:<br> | GENERAL TOLERANCE<br>.X = +/- 0.2<br>.XX = +/- 0.15 |  |                   |
| F   |           |      |    |  |   |   |                   |
| E   |           |      |    |  |   |   |                   |
| D   |           |      |    |  |   |   |                   |
| C   |           |      |    | APPROVAL: JC   | UNIT: MM  | DESCRIPTION: DISCLAIMER   | SIZE<br><b>A4</b> |
| B   |           |      |    |  | SCALE:  |   |                   |
| A   | 10-SEP-14 | PDF  | QL |  | SHEET: 3/3  | WERI PART NO: DISCLAIMER  |                   |
| REV | DATE      | FILE | BY |  | DRAW: QL  |   |                   |

D