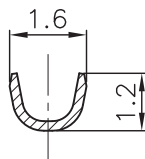
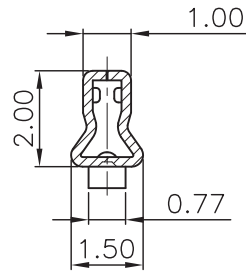


Section:A-A



Section:B-B



Section:C-C

TECHNICAL CHARACTERISTICS

MATERIAL
 CONTACT MATERIAL: COPPER ALLOY
 CONTACT TYPE: STAMPED
 CONTACT PLATING: TIN
 QUALITY CLASS: 25 MATING CYCLES

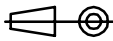
ENVIRONMENTAL
 OPERATING TEMPERATURE: -25°C UP TO +85°C
 COMPLIANCE: LEAD FREE AND ROHS

ELECTRICAL
 CURRENT RATING: 2 A
 WORKING VOLTAGE: 125 VAC
 CONTACT RESISTANCE: 20 mOHM MAX

WIRE DIMENSION
 AWG: AWG 24 - 28

PACKAGING
 600PCS REEL

RoHS Compliant

G				PROJECTION: 
F				
E	07-AUG-17	TPK	AK	
D	03-AUG-15	UPDATE	AK	
C	26-MAY-14	OPE TEMPERATURE	QL	
B	06-AUG-13	CHARACTERISTIC	QL	
A	11-MAR-09	PDF	JP	APPROVAL: BBu
REV	DATE	FILE	BY	

GENERAL TOLERANCE

.X = ± 0.2
 .XX = ± 0.15



UNIT: MM

SCALE:

SHEET: 1/3

DRAW: AK

DESCRIPTION: 2.00 MM FEMALE CRIMP TERMINAL

WERI PART NO: 620 101 137 22

SIZE

A4

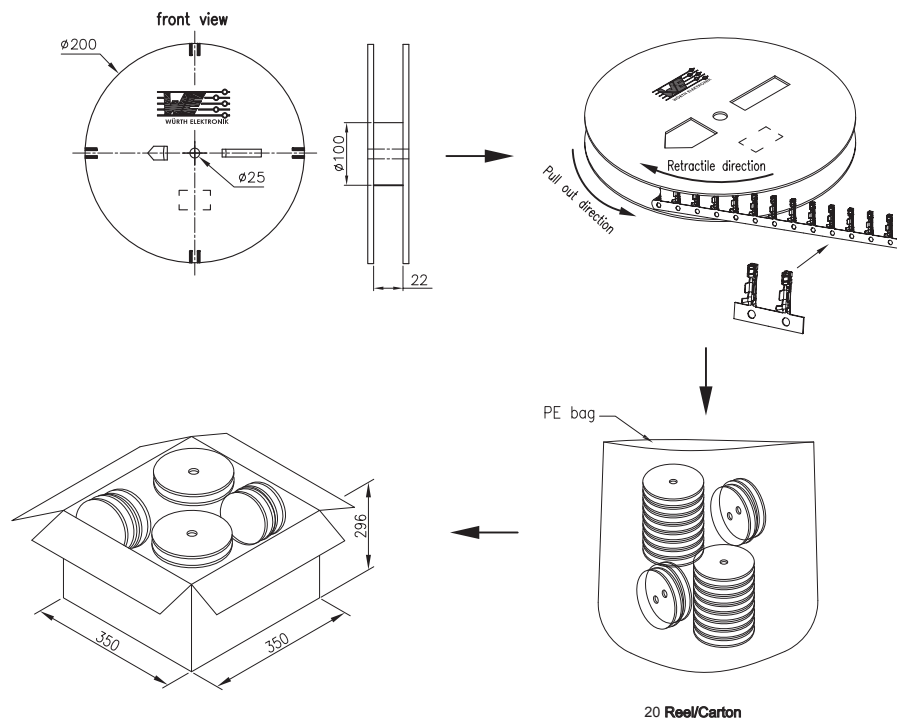
1

2

3

4

5



Note :

1. All dimensions meet EIA-481-3 requirements.
2. Material : WH Conductive polystyrene Alloy.
3. Thickness : 0.50 ± 0.05 mm.

Q'tY/Reel	Reel/Carton	Q'tY/Carton
600 pcs	20	12Kpcs

RoHS Compliant

PROJECTION:



GENERAL TOLERANCE

.X = ± 0.2
.XX = ± 0.15



APPROVAL: BBu

UNIT: MM

SCALE:

SHEET: 2/3

DRAW: MIKE

DESCRIPTION: 2.00 MM FEMALE CRIMP TERMINAL

WERI PART NO: 620 101 137 22

SIZE

A4

A

B

C

D

1

2

3

4

5

Cautions and Warnings:

This electronic component is designed and developed with the intention for use in general electronics equipments.

Before incorporating the components into any equipments in the field such as aerospace, aviation, nuclear control, submarine, transportation, (automotive control, train control, ship control), transportation signal, disaster prevention, medical, public information network etc. where higher safety and reliability are especially required or if there is possibility of direct damage or injury to human body, Würth Elektronik must be asked for a written approval.

In addition, even electronic component in general electronic equipments, when used in electrical circuits that require high safety, reliability functions or performance, the sufficient reliability evaluation-check for the safety must be performed before by the user before usage.

A

B

C

RoHS Compliant

G				PROJECTION: 	GENERAL TOLERANCE .X = +/- 0.2 .XX = +/- 0.15		
F							
E							
D							
C				APPROVAL: JC	UNIT: MM	DESCRIPTION: DISCLAIMER	SIZE A4
B					SCALE:		
A	10-SEP-14	PDF	QL		SHEET: 3/3	WERI PART NO: DISCLAIMER	
REV	DATE	FILE	BY		DRAW: QL		

D