

4 Channel Digital Isolator

DESCRIPTION

The CDIS 18014x15401x is a 4 channel digital isolator series that provides capacitive isolation between the primary and secondary sides of the device.

The digital isolator requires two supply voltages, one for the primary side and one for the secondary side.

The CDIS digital isolator ensures fast time to market and low development costs.

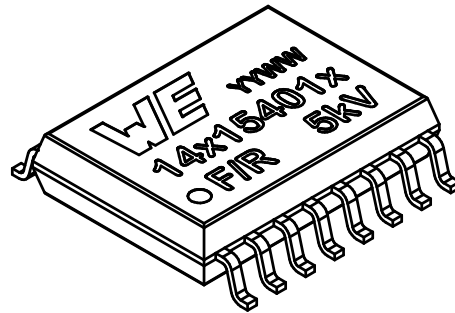
The digital isolator is available in an SOIC-16WB package (10.3 x 10.3 x 2.65)mm.

FEATURES

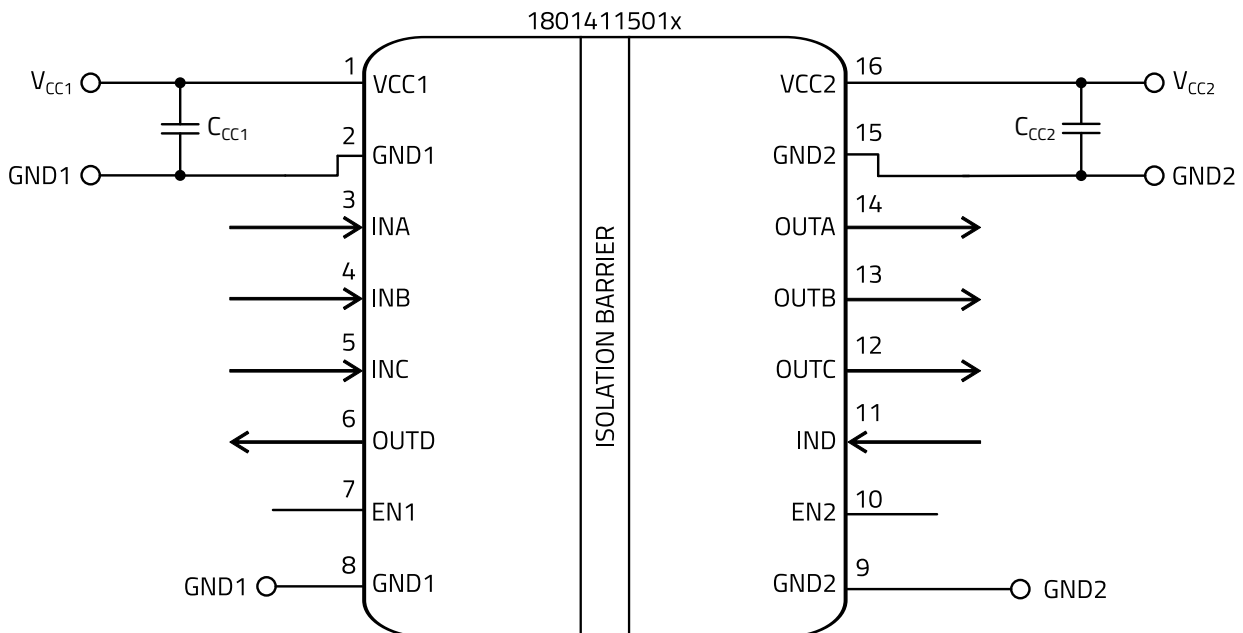
- Reinforced isolation: 5kV_{RMS} for 60s
- Input voltage range: 2.375V to 5.5V
- Data rate up to 150Mbps
- ±150kV/μs typ. CMTI
- Available channel configurations: 4/0, 3/1 and 2/2
- Default channel output status: high or low
- Low propagation delay: 12ns typ.
- Ambient temperature range: -40°C to 125°C
- RoHS and REACH compliant
- UL1577 recognized
- DIN EN IEC 60747-17 (VDE 0884-17):2021-10 certified

TYPICAL APPLICATIONS

- Isolated communication interfaces (SPI, CAN, RS-232, RS-485)
- Motor control
- Battery management systems
- Solar inverters
- Test and measurement systems
- Programmable logic controller (PLC) interfaces



TYPICAL CIRCUIT DIAGRAM



The above diagram indicates only one of the possible channel configurations available.

CONTENTS

1	PINOUT	4
2	ORDERING INFORMATION	5
3	SALES INFORMATION	5
4	ABSOLUTE MAXIMUM RATINGS	6
5	OPERATING CONDITIONS	6
6	ELECTRICAL SPECIFICATIONS	7
7	ISOLATION SPECIFICATIONS	12
8	APPROVALS	13
9	RoHS, REACH	13
10	PACKAGE SPECIFICATIONS	13
11	NOTES	13
12	TYPICAL PERFORMANCE CURVES	14
12.1	DC Performance Curves	14
12.1.1	Quiescent Current vs. Ambient Temperature	14
12.1.2	Propagation Delay vs. Ambient Temperature	17
12.1.3	Supply Current vs. Ambient Temperature	18
12.1.4	Supply Current vs. Data Rate	22
12.1.5	High and Low Voltage Levels vs. Output Current	24
12.1.6	Safety Limiting Curves	25
13	I/O TRUTH TABLES	26
14	I/O DESCRIPTION	27
15	TEST SCHEMATICS	28
16	BLOCK DIAGRAM	30
17	CIRCUIT DESCRIPTION	30
18	PROTECTION FEATURES	30
18.1	Input/Output Undervoltage Lockout (UVLO)	30
19	TYPICAL APPLICATION	31
20	HANDLING RECOMMENDATIONS	32
20.1	Soldering Profile	32
21	PHYSICAL DIMENSIONS	33
21.1	Component	33
21.2	Recommended Landpattern	34
21.3	Packaging	35
22	DOCUMENT HISTORY	37
23	LIST OF FIGURES	38
24	LIST OF TABLES	39

18014x15401x

Digital Isolator

WPME-CDIS - Capacitive Digital Isolator Standard



WÜRTH
ELEKTRONIK
MORE THAN
YOU EXPECT

25 CAUTIONS AND WARNINGS	40
26 IMPORTANT NOTES	41

1 PINOUT

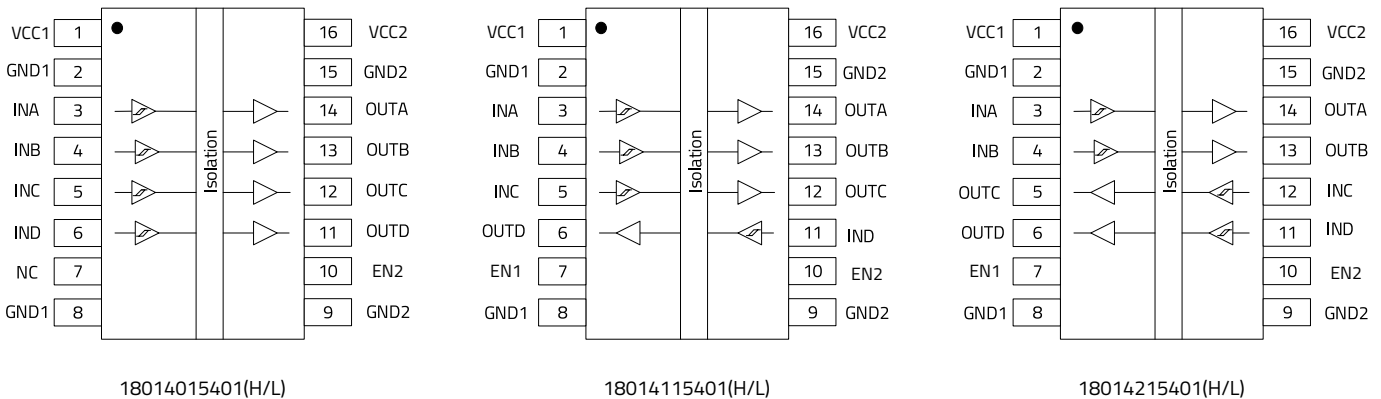


Figure 1: Pinout.

Table 1: Marking description.

MARKING	DESCRIPTION
WE	Würth Elektronik eiSos GmbH & Co. KG
YYWW	Year and calendar week
14x15401x	Order code
F/R	Number of forward/reverse channels
5kV	5kV isolation voltage

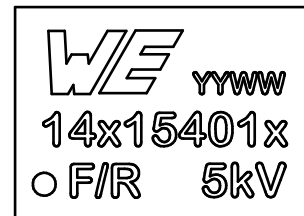


Figure 2: Marking.

Table 2: Pin description.

SYMBOL	NUMBER	TYPE	DESCRIPTION
VCC1	1	Power	Primary side supply pin.
GND1	2	Power	Primary side ground connection.
INA	3	I/O	Digital input A.
INB	4	I/O	Digital input B.
INC/OUTC	5	I/O	Digital input/output C.
IND/OUTD	6	I/O	Digital input/output D.
NC/EN1	7	NC/Input	Not internally connected (18014015401x). Primary side channel output enable. Drive high or leave floating to enable operation. (18014115401x and 18014215401x).
GND1	8	Power	Primary side ground connection.
GND2	9	Power	Secondary side ground connection.
EN2	10	Input	Secondary side channel output enable. Drive high or leave floating to enable operation.
OUTD/IND	11	I/O	Digital input/output D.
OUTC/INC	12	I/O	Digital input/output C.
OUTB	13	I/O	Digital output B.
OUTA	14	I/O	Digital output A.
GND2	15	Power	Secondary side ground connection.
VCC2	16	Power	Secondary side supply pin.

2 ORDERING INFORMATION

Table 3: Ordering information.

ORDER CODE	SPECIFICATIONS	PACKAGE	PACKAGING UNIT
18014015401H	4 forward, 0 reverse, default high	SOIC-16WB	13" Reel (1000 pieces)
18014015401L	4 forward, 0 reverse, default low		
18014115401H	3 forward, 1 reverse, default high		
18014115401L	3 forward, 1 reverse, default low		
18014215401H	2 forward, 2 reverse, default high		
18014215401L	2 forward, 2 reverse, default low		

3 SALES INFORMATION

SALES CONTACT
Würth Elektronik eiSos GmbH & Co. KG EMC and Inductive Solutions Max-Eyth-Str. 1 74638 Waldenburg Germany Tel. +49 (0) 7942 945 0 www.we-online.com/digitalisolators Technical support: powermodules@we-online.com

4 ABSOLUTE MAXIMUM RATINGS

Caution:

Exceeding the listed absolute maximum ratings may affect the device negatively and may cause permanent damage.

Table 4: Absolute maximum ratings.

SYMBOL	PARAMETER	LIMIT		UNIT
		MIN ⁽¹⁾	MAX ⁽¹⁾	
VCC1, VCC2	Supply voltage pins	-0.5	7	V
INX, OUTX	Voltage at INX, OUTX, SEL pins	-0.5	$V_{CCX} + 0.5$ ⁽²⁾	V
I_{OUTX}	Channel output current	-20	20	mA
$T_{storage}$	Assembled, non-operating storage temperature	-65	150	°C
V_{ESD}	ESD voltage (HBM) ⁽⁴⁾	-6	6	kV
V_{ESD}	ESD voltage (CDM) ⁽⁴⁾	-2	2	kV

5 OPERATING CONDITIONS

Operating conditions are conditions under which the device is intended to be functional. All values are either referenced to GND1 or GND2.

MIN and MAX limits are valid for the recommended ambient temperature range of -40°C to 125°C.

Table 5: Operating conditions.

SYMBOL	PARAMETER	MIN ⁽¹⁾	TYP ⁽³⁾	MAX ⁽¹⁾	UNIT
VCC1, VCC2	Supply voltage	2.375	—	5.5	V
V_{INX_H}	Logic input high threshold	2.0	—	—	V
V_{INX_L}	Logic input low threshold	—	—	0.8	V
I_{OH}	High-level channel output current $V_{CCO} = 5V$	-4	—	—	mA
	High-level channel output current $V_{CCO} = 3.3V$	-2	—	—	mA
	High-level channel output current $V_{CCO} = 2.5V$	-1	—	—	mA
I_{OL}	Low-level channel output current $V_{CCO} = 5V$	—	—	4	mA
	Low-level channel output current $V_{CCO} = 3.3V$	—	—	2	mA
	Low-level channel output current $V_{CCO} = 2.5V$	—	—	1	mA
DR	Data rate	0	—	150	Mbps
PW	Signal pulse width	5	—	—	ns
T_a	Ambient temperature range	-40	—	125	°C

6 ELECTRICAL SPECIFICATIONS

Caution:

MIN and MAX limits are valid for the recommended ambient temperature range of -40°C to 125°C . Typical values represent statistically the utmost probable values at the following conditions: $V_{CC} = 5\text{V}$, 3.3V or 2.5V , $\text{ENX} = \text{high}$, $T_A = 25^{\circ}\text{C}$, unless otherwise noted.

Table 6: Electrical specifications part 1.

SYMBOL	PARAMETER	TEST CONDITIONS	MIN ⁽¹⁾	TYP ⁽³⁾	MAX ⁽¹⁾	UNIT
Supply Characteristics						
V_{CCX_UVLO}	Supply undervoltage lockout falling threshold		1.88	2.10	2.325	V
	Undervoltage lockout rising threshold		1.95	2.24	2.375	V
	Undervoltage lockout hysteresis		70	140	250	mV
Channel Characteristics						
I_{IH}	High-level input leakage current	$V_{INX} = V_{CCI}$	—	—	20	μA
I_{IL}	Low-level input leakage current	$V_{INX} = 0\text{V}$	-20	—	—	μA
V_{OH}	High-level output voltage	$V_{INX} = V_{CCI}$	—	$V_{INX} - 0.2$	—	V
V_{OL}	Low-level output voltage	$V = 0\text{V}$	—	0.2	—	V
V_{EN_SRMIN}	Minimum enable signal slew rate		—	1	—	$\text{mV}/\mu\text{s}$
CMTI	Common-mode transient immunity	$V_{INX} = V_{CCI}$ or 0V , $V_{CM} = 1500\text{V}$	—	150	—	$\text{kV}/\mu\text{s}$
Timing Characteristics						
t_r	Output signal rise time	10% to 90% of V_{OUTX}	—	2.5	4.0	ns
t_f	Output signal fall time	90% to 10% of V_{OUTX}	—	2.5	4.0	ns
t_{PLH} , t_{PHL}	Propagation delay time	50% of V_{INX} to 50% of V_{OUTX}	5	12	16	ns
t_{PHZ}	Disable Propagation Delay, High to High-Z		—	8	13	ns
PWD	Pulse width distortion $ t_{PLH} - t_{PHL} $		—	0.2	4.5	ns
$t_{SK(C-C)}$	Channel-to-channel output skew time		—	0.4	2.5	ns
$t_{SK(P-P)}$	Part-to-part output skew time		—	2.0	4.5	ns

Parameters indicated in electrical specifications part 1 are applicable across all part numbers with all input/output conditions unless otherwise specified.

Table 7: Electrical specifications part 2.

SYMBOL	PARAMETER	TEST CONDITIONS	MIN ⁽¹⁾	TYP ⁽³⁾	MAX ⁽¹⁾	UNIT
18014015401x V_{CC1} = 5V and V_{CC2} = 5V						
I _{CC1}	Primary side external power supply input current ⁽⁵⁾	V _{INX} = channel default	—	1.4	—	mA
		V _{INX} ≠ channel default	—	6	—	mA
		1Mbps, C _L = 15pF, 50% duty cycle square wave input signal	—	3.7	—	mA
		10Mbps, C _L = 15pF, 50% duty cycle square wave input signal	—	3.7	—	mA
		100Mbps, C _L = 15pF, 50% duty cycle square wave input signal	—	4.6	—	mA
I _{CC2}	Secondary side external power supply input current ⁽⁵⁾	V _{INX} = channel default	—	2.7	—	mA
		V _{INX} ≠ channel default	—	2.8	—	mA
		1Mbps, C _L = 15pF, 50% duty cycle square wave input signal	—	3.1	—	mA
		10Mbps, C _L = 15pF, 50% duty cycle square wave input signal	—	6.9	—	mA
		100Mbps, C _L = 15pF, 50% duty cycle square wave input signal	—	43.2	—	mA
18014115401x V_{CC1} = 5V and V_{CC2} = 5V						
I _{CC1}	Primary side external power supply input current ⁽⁵⁾	V _{INX} = channel default	—	1.9	—	mA
		V _{INX} ≠ channel default	—	5.5	—	mA
		1Mbps, C _L = 15pF, 50% duty cycle square wave input signal	—	3.8	—	mA
		10Mbps, C _L = 15pF, 50% duty cycle square wave input signal	—	4.5	—	mA
		100Mbps, C _L = 15pF, 50% duty cycle square wave input signal	—	10.6	—	mA
I _{CC2}	Secondary side external power supply input current ⁽⁵⁾	V _{INX} = channel default	—	2.7	—	mA
		V _{INX} ≠ channel default	—	4.2	—	mA
		1Mbps, C _L = 15pF, 50% duty cycle square wave input signal	—	3.7	—	mA
		10Mbps, C _L = 15pF, 50% duty cycle square wave input signal	—	5.3	—	mA
		100Mbps, C _L = 15pF, 50% duty cycle square wave input signal	—	23.1	—	mA
18014215401x V_{CC1} = 5V and V_{CC2} = 5V						
I _{CC1}	Primary side external power supply input current ⁽⁵⁾	V _{INX} = channel default	—	2.5	—	mA
		V _{INX} ≠ channel default	—	5.1	—	mA
		1Mbps, C _L = 15pF, 50% duty cycle square wave input signal	—	3.9	—	mA
		10Mbps, C _L = 15pF, 50% duty cycle square wave input signal	—	5.2	—	mA
		100Mbps, C _L = 15pF, 50% duty cycle square wave input signal	—	16.5	—	mA

Table 8: Electrical specifications part 3.

SYMBOL	PARAMETER	TEST CONDITIONS	MIN ⁽¹⁾	TYP ⁽³⁾	MAX ⁽¹⁾	UNIT
I _{CC2}	Secondary side external power supply input current ⁽⁵⁾	V _{INX} = channel default	—	2.4	—	mA
		V _{INX} ≠ channel default	—	4.9	—	mA
		1Mbps, C _L = 15pF, 50% duty cycle square wave input signal	—	3.8	—	mA
		10Mbps, C _L = 15pF, 50% duty cycle square wave input signal	—	4.9	—	mA
		100Mbps, C _L = 15pF, 50% duty cycle square wave input signal	—	17	—	mA
18014015401x V_{CC1} = 3.3V and V_{CC2} = 3.3V						
I _{CC1}	Primary side external power supply input current ⁽⁵⁾	V _{INX} = channel default	—	1.3	—	mA
		V _{INX} ≠ channel default	—	6	—	mA
		1Mbps, C _L = 15pF, 50% duty cycle square wave input signal	—	3.7	—	mA
		10Mbps, C _L = 15pF, 50% duty cycle square wave input signal	—	3.7	—	mA
		100Mbps, C _L = 15pF, 50% duty cycle square wave input signal	—	4.7	—	mA
I _{CC2}	Secondary side external power supply input current ⁽⁵⁾	V _{INX} = channel default	—	2.5	—	mA
		V _{INX} ≠ channel default	—	2.6	—	mA
		1Mbps, C _L = 15pF, 50% duty cycle square wave input signal	—	2.9	—	mA
		10Mbps, C _L = 15pF, 50% duty cycle square wave input signal	—	5.4	—	mA
		100Mbps, C _L = 15pF, 50% duty cycle square wave input signal	—	29.6	—	mA
18014115401x V_{CC1} = 3.3V and V_{CC2} = 3.3V						
I _{CC1}	Primary side external power supply input current ⁽⁵⁾	V _{INX} = channel default	—	1.9	—	mA
		V _{INX} ≠ channel default	—	5.4	—	mA
		1Mbps, C _L = 15pF, 50% duty cycle square wave input signal	—	3.7	—	mA
		10Mbps, C _L = 15pF, 50% duty cycle square wave input signal	—	4.1	—	mA
		100Mbps, C _L = 15pF, 50% duty cycle square wave input signal	—	8.4	—	mA
I _{CC2}	Secondary side external power supply input current ⁽⁵⁾	V _{INX} = channel default	—	2.8	—	mA
		V _{INX} ≠ channel default	—	4.1	—	mA
		1Mbps, C _L = 15pF, 50% duty cycle square wave input signal	—	3.5	—	mA
		10Mbps, C _L = 15pF, 50% duty cycle square wave input signal	—	4.6	—	mA
		100Mbps, C _L = 15pF, 50% duty cycle square wave input signal	—	15.9	—	mA

Table 9: Electrical specifications part 4.

SYMBOL	PARAMETER	TEST CONDITIONS	MIN ⁽¹⁾	TYP ⁽³⁾	MAX ⁽¹⁾	UNIT
18014215401x V_{CC1} = 3.3V and V_{CC2} = 3.3V						
I _{CC1}	Primary side external power supply input current ⁽⁵⁾	V _{INX} = channel default	—	2.4	—	mA
		V _{INX} ≠ channel default	—	5	—	mA
		1Mbps, C _L = 15pF, 50% duty cycle square wave input signal	—	3.8	—	mA
		10Mbps, C _L = 15pF, 50% duty cycle square wave input signal	—	4.6	—	mA
		100Mbps, C _L = 15pF, 50% duty cycle square wave input signal	—	12.5	—	mA
I _{CC2}	Secondary side external power supply input current ⁽⁵⁾	V _{INX} = channel default	—	2.3	—	mA
		V _{INX} ≠ channel default	—	4.8	—	mA
		1Mbps, C _L = 15pF, 50% duty cycle square wave input signal	—	3.6	—	mA
		10Mbps, C _L = 15pF, 50% duty cycle square wave input signal	—	4.3	—	mA
		100Mbps, C _L = 15pF, 50% duty cycle square wave input signal	—	11.5	—	mA
18014015401x V_{CC1} = 2.5V and V_{CC2} = 2.5V						
I _{CC1}	Primary side external power supply input current ⁽⁵⁾	V _{INX} = channel default	—	1.3	—	mA
		V _{INX} ≠ channel default	—	6	—	mA
		1Mbps, C _L = 15pF, 50% duty cycle square wave input signal	—	3.6	—	mA
		10Mbps, C _L = 15pF, 50% duty cycle square wave input signal	—	3.7	—	mA
		100Mbps, C _L = 15pF, 50% duty cycle square wave input signal	—	4.8	—	mA
I _{CC2}	Secondary side external power supply input current ⁽⁵⁾	V _{INX} = channel default	—	2.5	—	mA
		V _{INX} ≠ channel default	—	2.5	—	mA
		1Mbps, C _L = 15pF, 50% duty cycle square wave input signal	—	2.7	—	mA
		10Mbps, C _L = 15pF, 50% duty cycle square wave input signal	—	4.6	—	mA
		100Mbps, C _L = 15pF, 50% duty cycle square wave input signal	—	23.4	—	mA
18014115401x V_{CC1} = 2.5V and V_{CC2} = 2.5V						
I _{CC1}	Primary side external power supply input current ⁽⁵⁾	V _{INX} = channel default	—	1.8	—	mA
		V _{INX} ≠ channel default	—	5.4	—	mA
		1Mbps, C _L = 15pF, 50% duty cycle square wave input signal	—	3.6	—	mA
		10Mbps, C _L = 15pF, 50% duty cycle square wave input signal	—	4	—	mA
		100Mbps, C _L = 15pF, 50% duty cycle square wave input signal	—	7.5	—	mA

Table 10: Electrical specifications part 5.

SYMBOL	PARAMETER	TEST CONDITIONS	MIN ⁽¹⁾	TYP ⁽³⁾	MAX ⁽¹⁾	UNIT
I _{CC2}	Secondary side external power supply input current ⁽⁵⁾	V _{INX} = channel default	—	2.7	—	mA
		V _{INX} ≠ channel default	—	4	—	mA
		1Mbps, C _L = 15pF, 50% duty cycle square wave input signal	—	3.5	—	mA
		10Mbps, C _L = 15pF, 50% duty cycle square wave input signal	—	4.3	—	mA
		100Mbps, C _L = 15pF, 50% duty cycle square wave input signal	—	11.8	—	mA
18014215401x V_{CC1} = 2.5V and V_{CC2} = 2.5V						
I _{CC1}	Primary side external power supply input current ⁽⁵⁾	V _{INX} = channel default	—	2.3	—	mA
		V _{INX} ≠ channel default	—	5	—	mA
		1Mbps, C _L = 15pF, 50% duty cycle square wave input signal	—	3.7	—	mA
		10Mbps, C _L = 15pF, 50% duty cycle square wave input signal	—	4.4	—	mA
		100Mbps, C _L = 15pF, 50% duty cycle square wave input signal	—	10.6	—	mA
I _{CC2}	Secondary side external power supply input current ⁽⁵⁾	V _{INX} = channel default	—	2.3	—	mA
		V _{INX} ≠ channel default	—	4.8	—	mA
		1Mbps, C _L = 15pF, 50% duty cycle square wave input signal	—	3.6	—	mA
		10Mbps, C _L = 15pF, 50% duty cycle square wave input signal	—	4.1	—	mA
		100Mbps, C _L = 15pF, 50% duty cycle square wave input signal	—	9.7	—	mA

7 ISOLATION SPECIFICATIONS

Table 11: Isolation specification table.

SYMBOL	PARAMETER	TEST CONDITIONS	VALUE	UNIT
CLR	External clearance	Shortest distance through air between terminals	8	mm
CPG	External creepage	Shortest distance across package surface between terminals	8	mm
C_{IO}	Barrier capacitance, input to output	$V_{IO} = 0.4 \times \sin(2\pi ft)$, $f = 1\text{MHz}$	1	pF
R_{IO}	Isolation resistance	$V_{IO} = 500\text{V}$, $T_A = 25^\circ\text{C}$	$>10^{12}$	Ω
		$V_{IO} = 500\text{V}$, $100^\circ\text{C} \leq T_A \leq 125^\circ\text{C}$	$>10^{11}$	Ω
		$V_{IO} = 500\text{V}$ at $T_A = 150^\circ\text{C}$	$>10^9$	Ω
DTI	Distance through the insulation	Minimum internal clearance	28	μm
CTI	Comparative tracking index	DIN EN 60122 (VDE 0303-11); IEC 60122	>600	V
		IEC 60664-1 material group	I	
	IEC 60664-1 overvoltage category	Rated mains voltage $\leq 150\text{V}_{\text{RMS}}$	I-IV	
		Rated mains voltage $\leq 300\text{V}_{\text{RMS}}$	I-IV	
		Rated mains voltage $\leq 600\text{V}_{\text{RMS}}$	I-IV	
		Rated mains voltage $\leq 1000\text{V}_{\text{RMS}}$	I-III	
DIN EN IEC 60747-17 (VDE 0884-17):2021-10				
V_{IORM}	Max. repetitive peak isolation voltage	AC voltage (bipolar)	1414	V_{PK}
V_{IOWM}	Max. working isolation voltage	AC voltage; Time-dependent dielectric breakdown (TDDb) test	1000	V_{RMS}
		DC voltage	1414	V_{DC}
V_{IOTM}	Max. transient isolation voltage	$V_{\text{TEST}} = V_{IOTM}$, $t = 60\text{s}$ (qualification); $V_{\text{TEST}} = 1.2 \times V_{IOTM}$, $t = 1\text{s}$ (100% production)	7070	V_{PK}
V_{IOSM}	Max. surge isolation voltage	Test method per IEC 60065, 1.2/50 μs waveform, $V_{\text{TEST}} = 1.6 \times V_{IOSM}$ (qualification)	7070	V_{PK}
q_{pd}	Apparent charge	Method a, after input/output safety test subgroup 2/3, $V_{\text{ini}} = V_{IOTM}$, $t_{\text{ini}} = 60\text{s}$; $V_{\text{pd(m)}} = 1.2 \times V_{IORM}$, $t_{\text{m}} = 10\text{s}$	≤ 5	pC
		Method a, after environmental tests subgroup 1, $V_{\text{ini}} = V_{IOTM}$, $t_{\text{ini}} = 60\text{s}$; $V_{\text{pd(m)}} = 1.6 \times V_{IORM}$, $t_{\text{m}} = 10\text{s}$	≤ 5	pC
		Method b1, at routine test (100% production) and preconditioning (type test), $V_{\text{ini}} = 1.2 \times V_{IOTM}$, $t_{\text{ini}} = 1\text{s}$; $V_{\text{pd(m)}} = 1.875 \times V_{IORM}$, $t_{\text{m}} = 1\text{s}$	≤ 5	pC
	Pollution degree		2	
UL1577				
$V_{\text{ISO(max)}}$	Max. withstanding isolation voltage	$V_{\text{TEST}} = V_{\text{ISO}}$, $t = 60\text{s}$ (qualification), $V_{\text{TEST}} = 1.2 \times V_{\text{ISO}}$, $t = 1\text{s}$ (100% production)	5000	V_{RMS}


8 APPROVALS

Table 12: Approvals.

STANDARD	DESCRIPTION
UL 1577	UL File No: E535458
DIN EN IEC 60747-17 (VDE 0884-17):2021-10	VDE certification number: 40058073

9 RoHS, REACH

Table 13: RoHS, REACH.

RoHS directive		Directive 2011/65/EU of the European Parliament and the Council of June 8th, 2011 on the restriction of the use of certain hazardous substances in electrical and electronic equipment.
REACH directive		Directive 1907/2006/EU of the European Parliament and the Council of June 1st, 2007 regarding the Registration, Evaluation, Authorization and Restriction of Chemicals (REACH).

10 PACKAGE SPECIFICATIONS

Table 14: Package specifications.

ITEM	PARAMETER	TYP ⁽³⁾	UNIT
Lead finish	Matte Sn	—	—
Weight	—	0.42	g

11 NOTES

- (1) Min and Max limits are 100% production tested at 25°C. Limits over the operating temperature range are guaranteed through correlation using Statistical Quality Control (SQC) methods.
- (2) This value must never exceed 7V.
- (3) Typical numbers are valid at 25°C ambient temperature and represent statistically the utmost probability assuming the Gaussian distribution.
- (4) The human body model is a 100pF capacitor discharged through a 1.5 kΩ resistor into each pin. Test method is per JESD-22-114. The charged device model test method is per JESD22-C101.
- (5) Supply current measurements are made with no additional load connected to the primary and secondary external power supplies. The indicated values only describe the current required to supply the internal circuitry and external capacitive loads on the channel outputs based on the signal described in the test conditions.
- (6) 100% final production tested value. The qualified isolation voltage value is 5kV_{RMS}. For detailed isolation characteristics see the isolation specification table ([Isolation specification table](#)).

12 TYPICAL PERFORMANCE CURVES

If not otherwise specified, the following conditions apply: $T_A = 25^\circ\text{C}$.

12.1 DC Performance Curves

12.1.1 Quiescent Current vs. Ambient Temperature

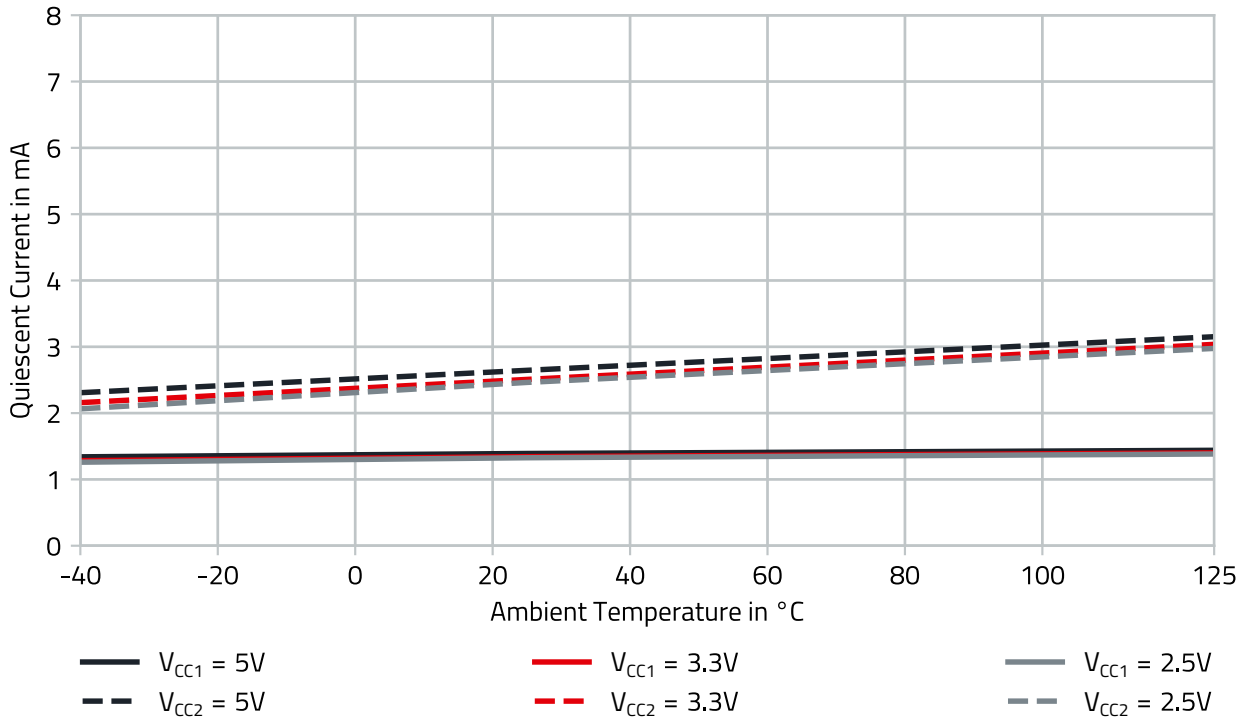


Figure 3: 18014015401H quiescent current, all channel inputs set to logic high.

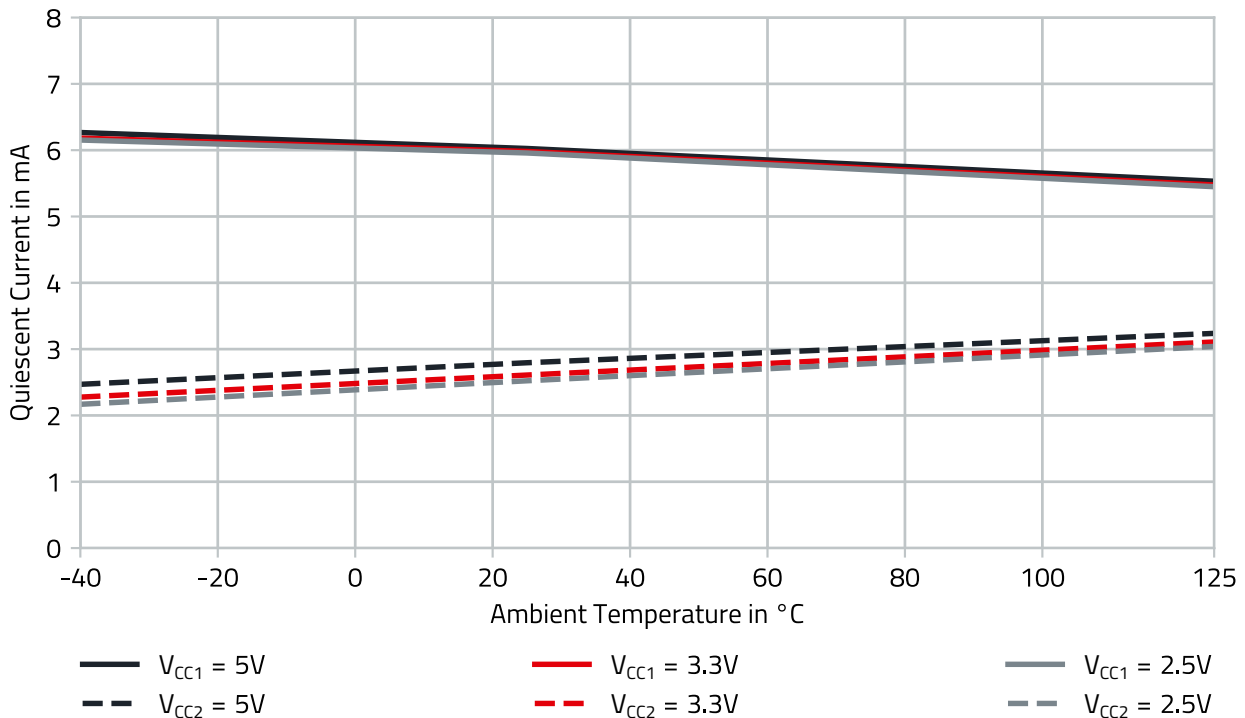


Figure 4: 18014015401H quiescent current, all channel inputs set to logic low.

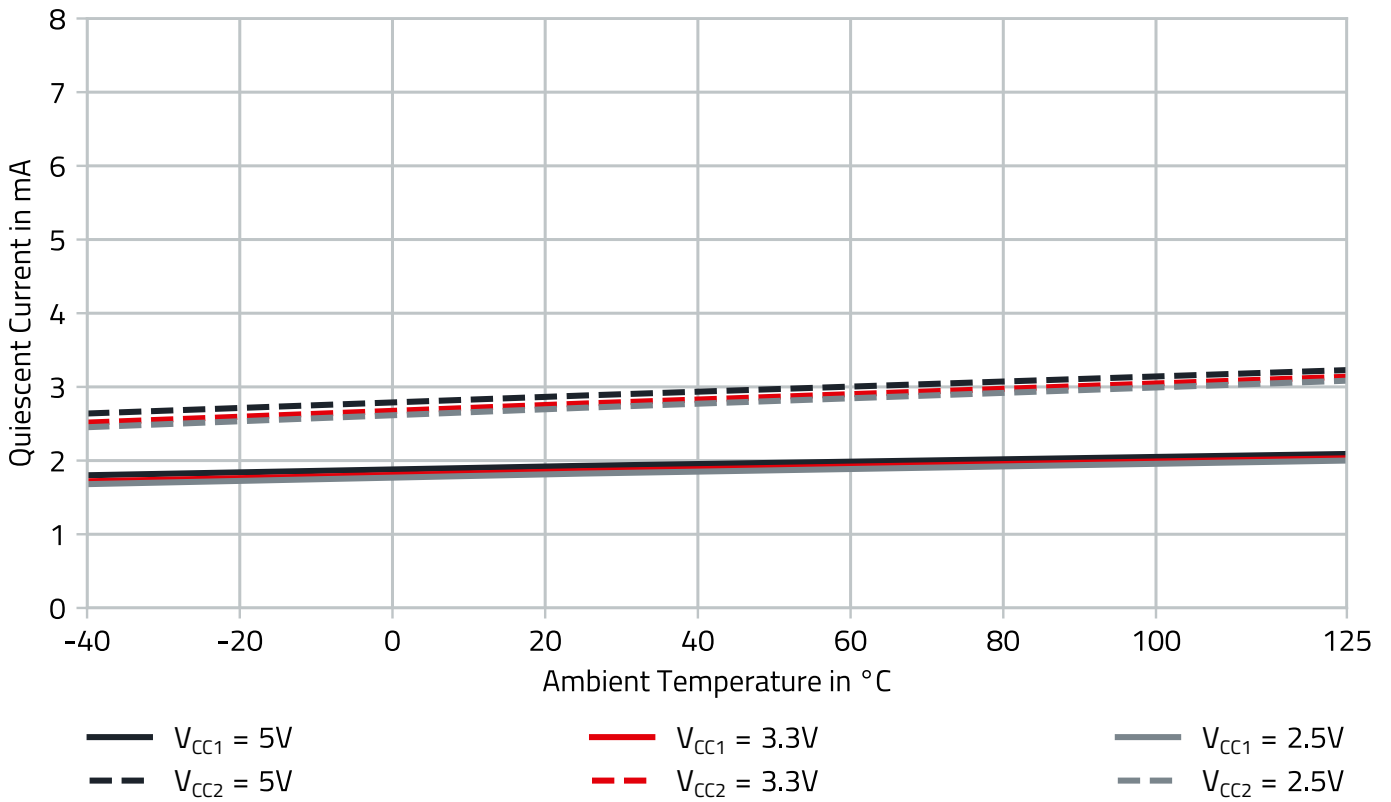


Figure 5: 18014115401H quiescent current, all channel inputs set to logic high.

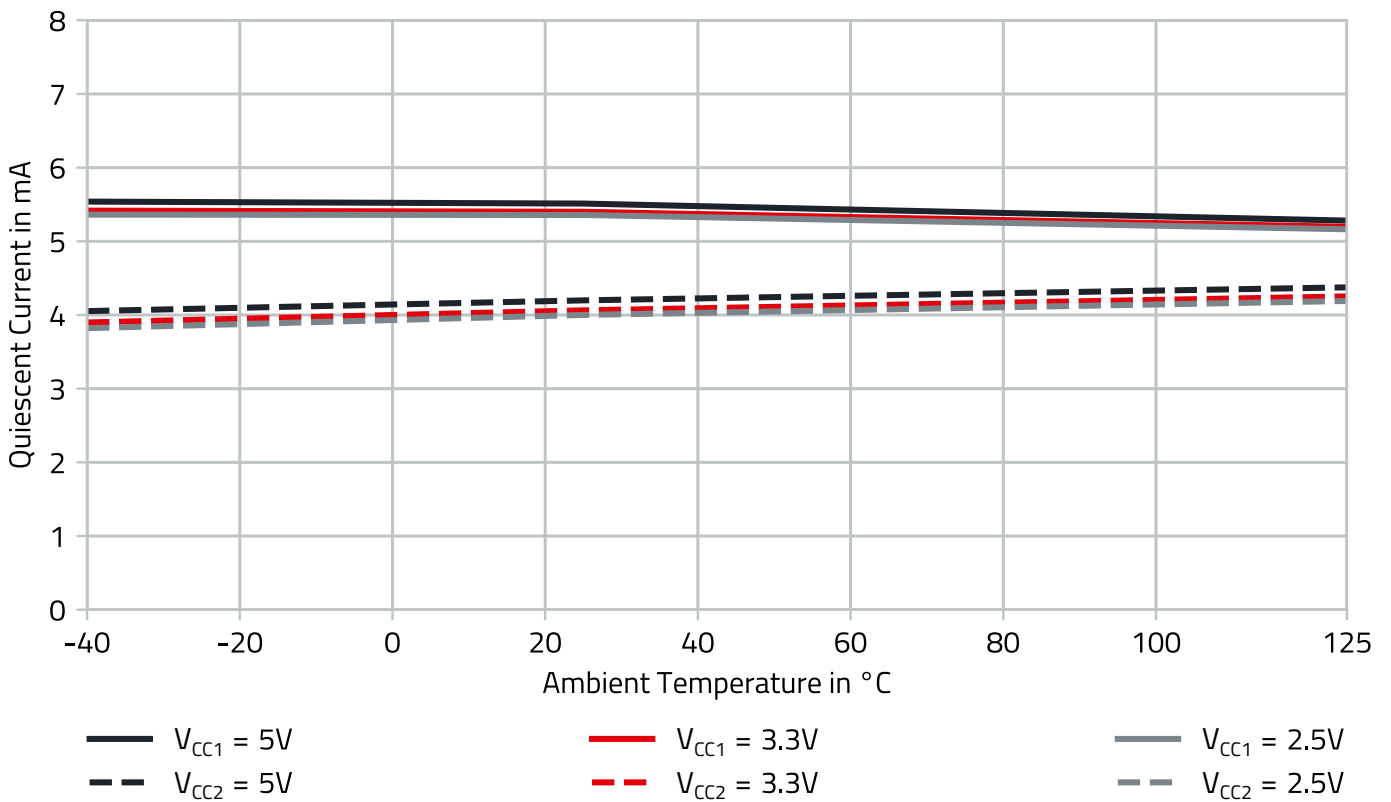


Figure 6: 18014115401H quiescent current, all channel inputs set to logic low.

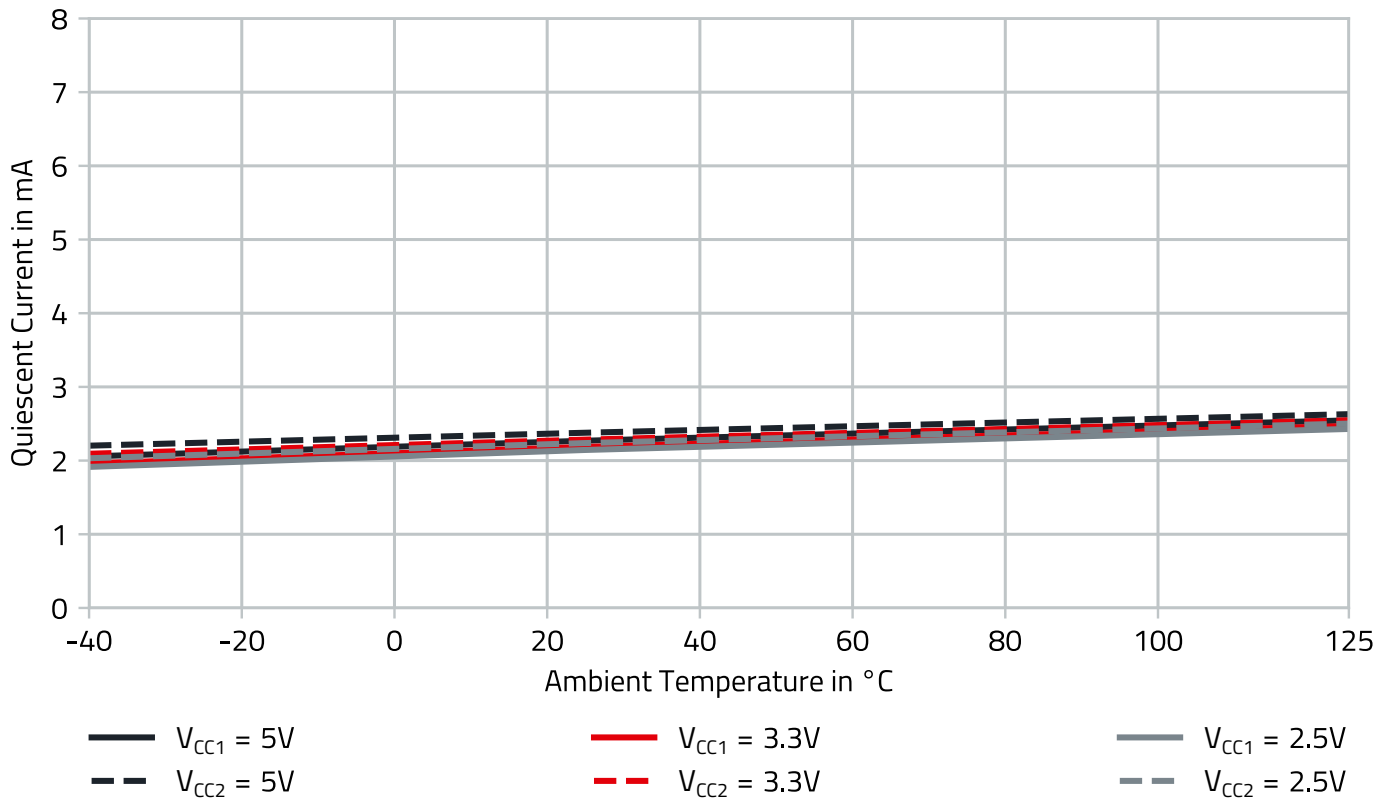


Figure 7: 18014215401H quiescent current, all channel inputs set to logic high.

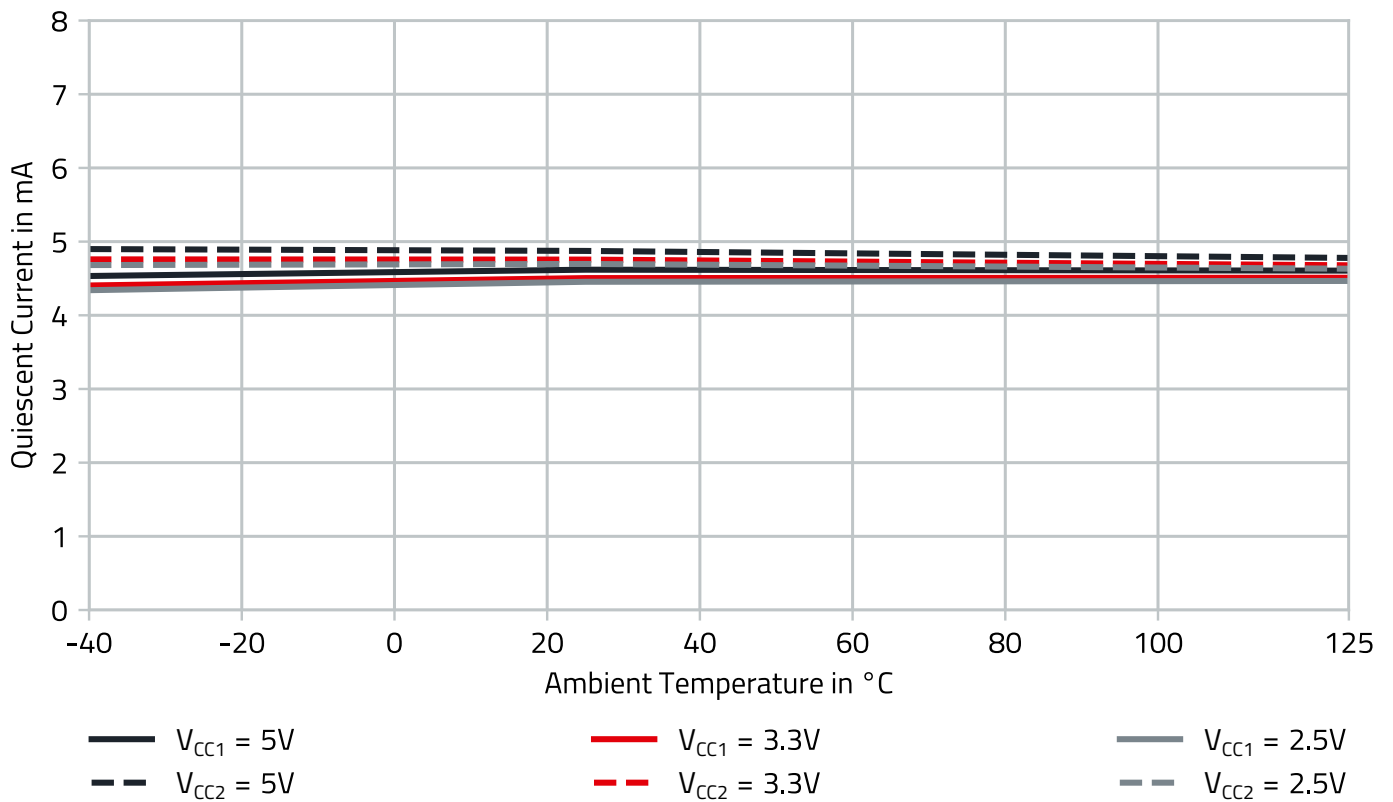


Figure 8: 18014215401H quiescent current, all channel inputs set to logic low.

12.1.2 Propagation Delay vs. Ambient Temperature

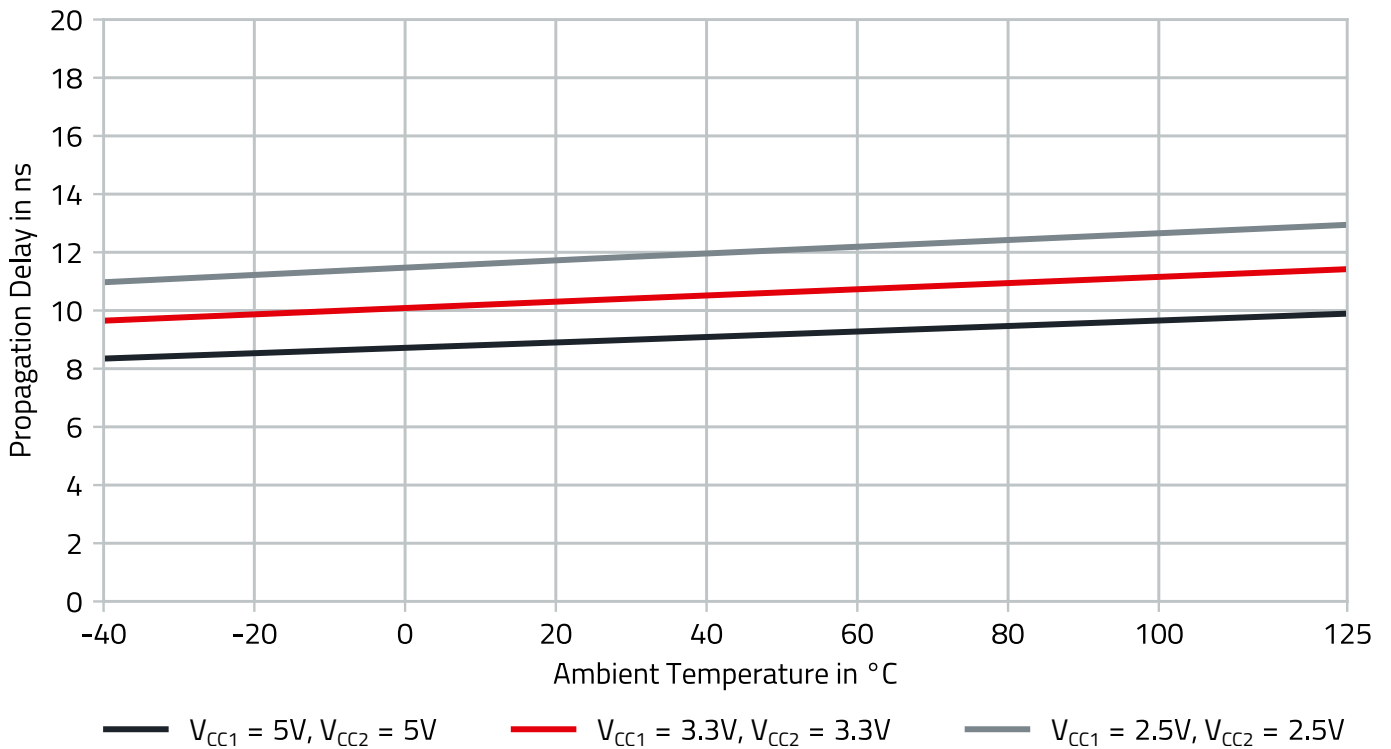


Figure 9: 18014x15401x propagation delay, all channels with low to high transition, $C_{LOAD} = 15pF$.

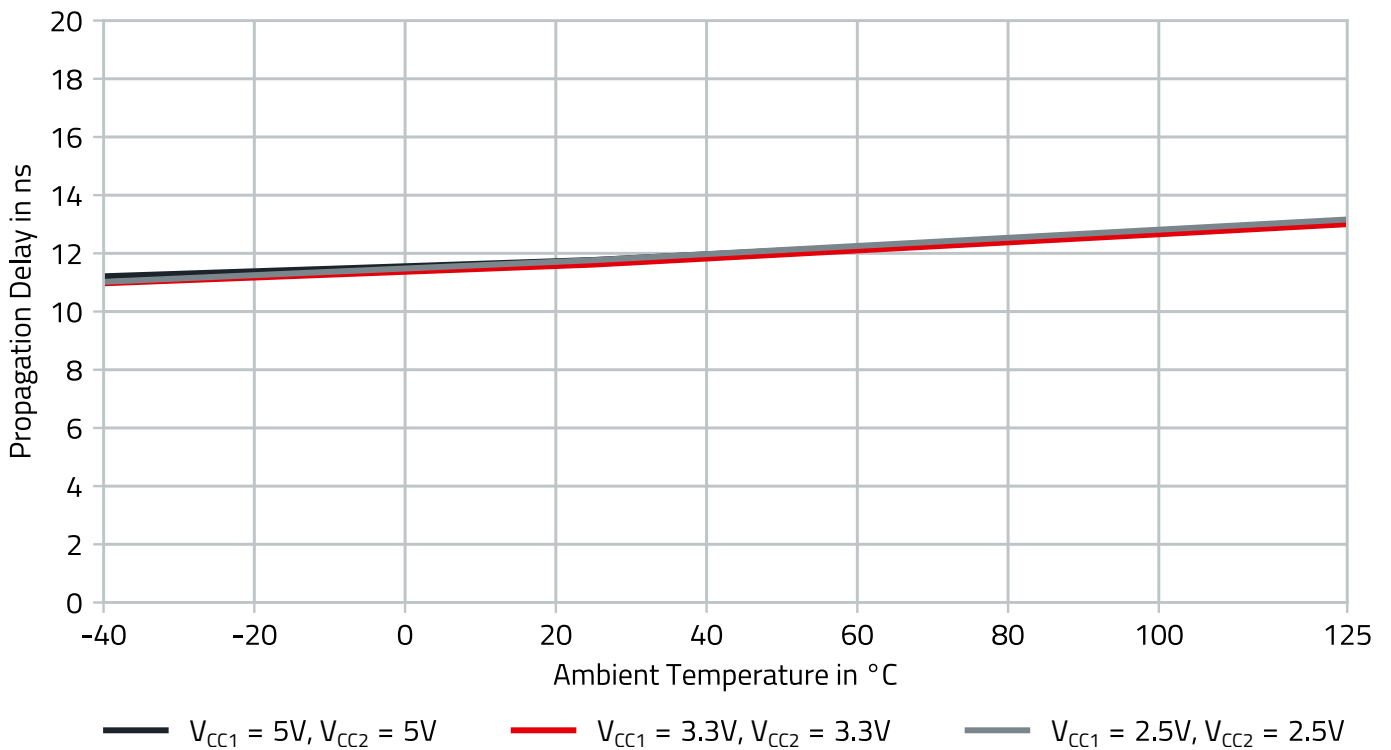


Figure 10: 18014x15401x propagation delay, all channels with high to low transition, $C_{LOAD} = 15pF$.

12.1.3 Supply Current vs. Ambient Temperature

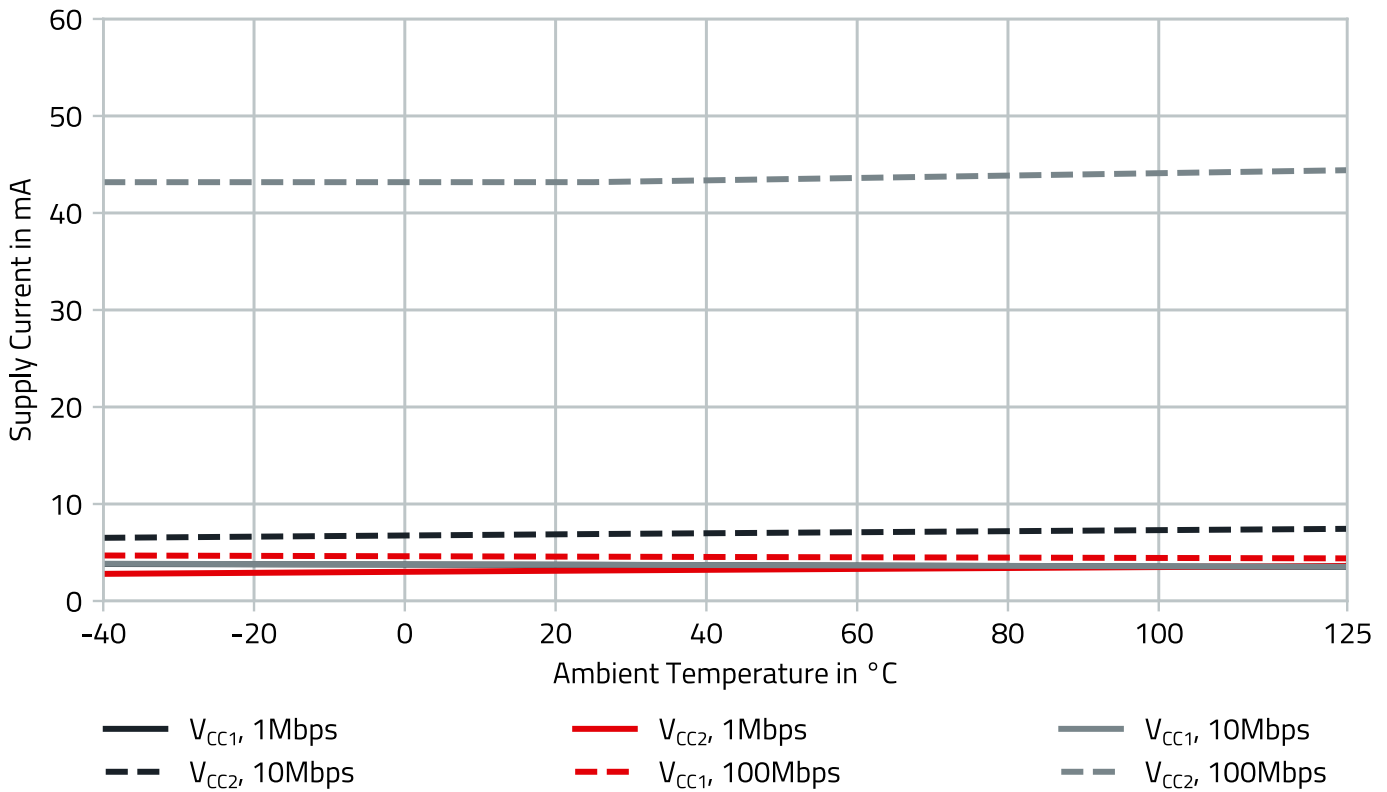


Figure 11: 18014015401x supply current $V_{CC1} = V_{CC2} = 5V$.

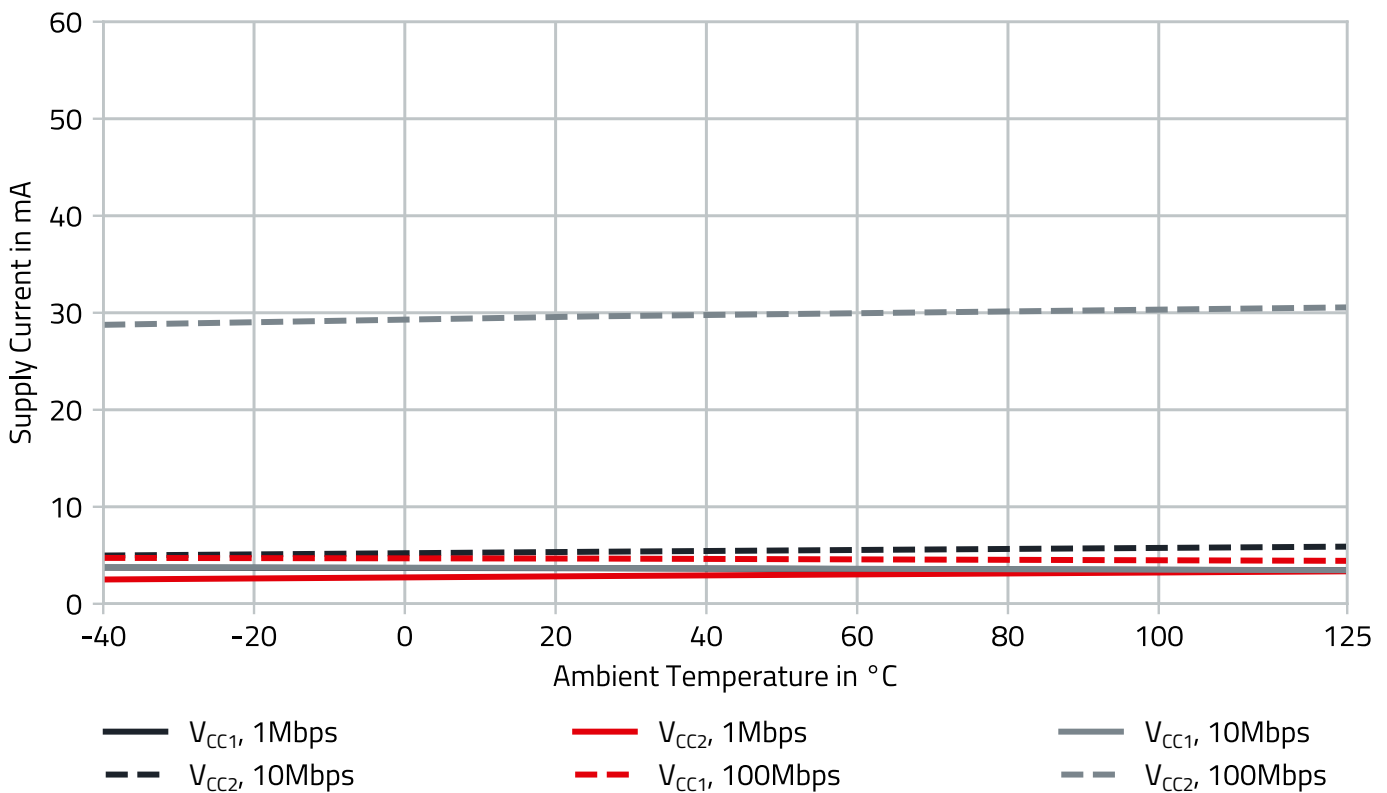


Figure 12: 18014015401x supply current $V_{CC1} = V_{CC2} = 3.3V$.

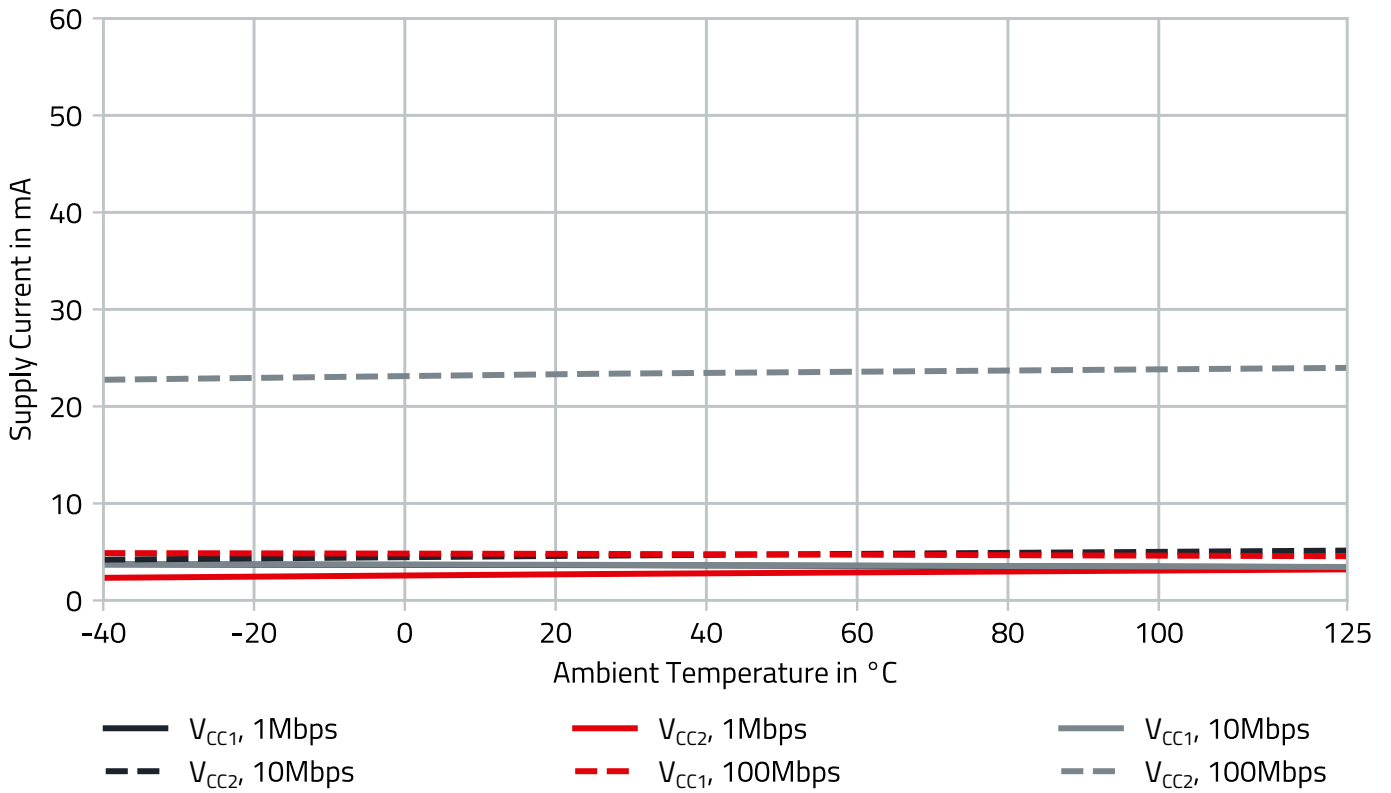


Figure 13: 18014015401x supply current $V_{CC1} = V_{CC2} = 2.5V$.

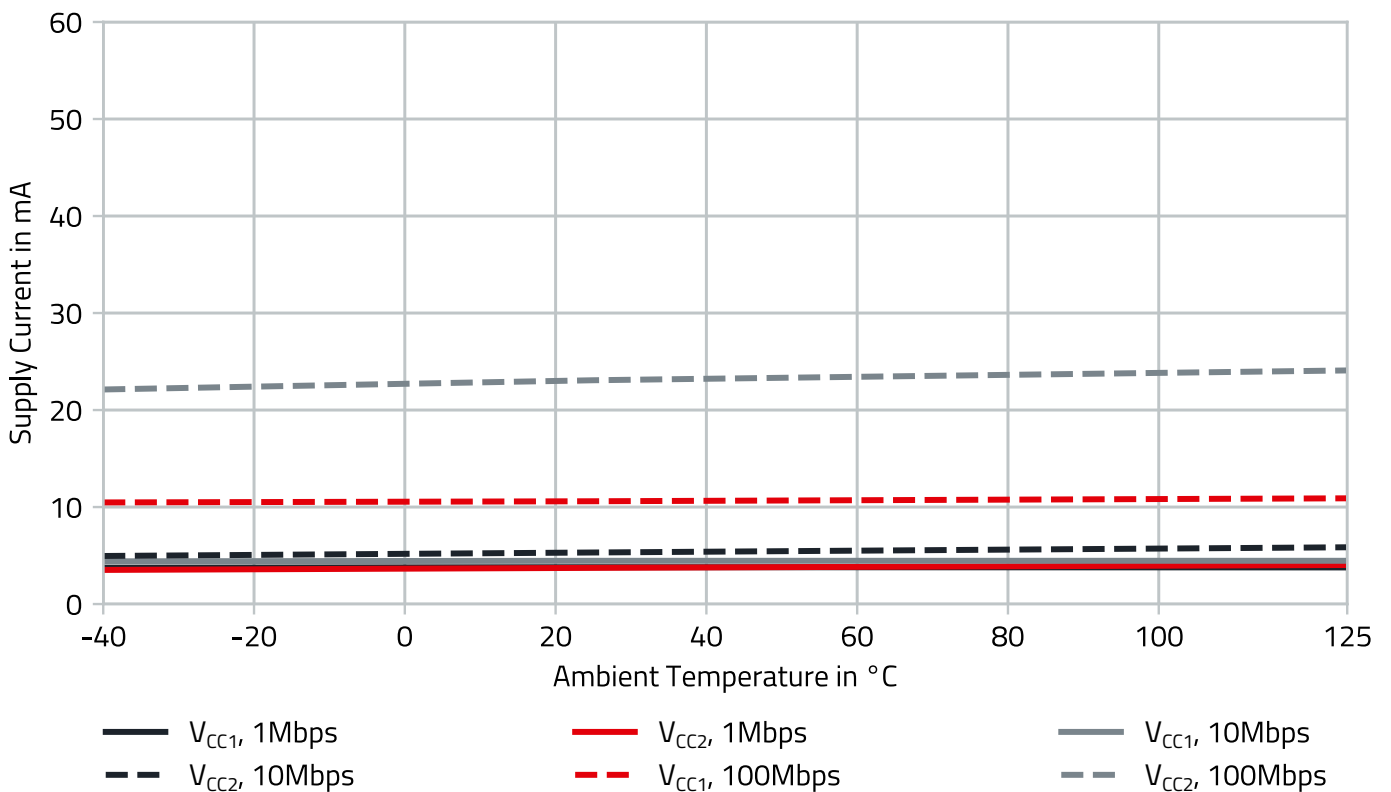


Figure 14: 18014115401x supply current $V_{CC1} = V_{CC2} = 5V$.

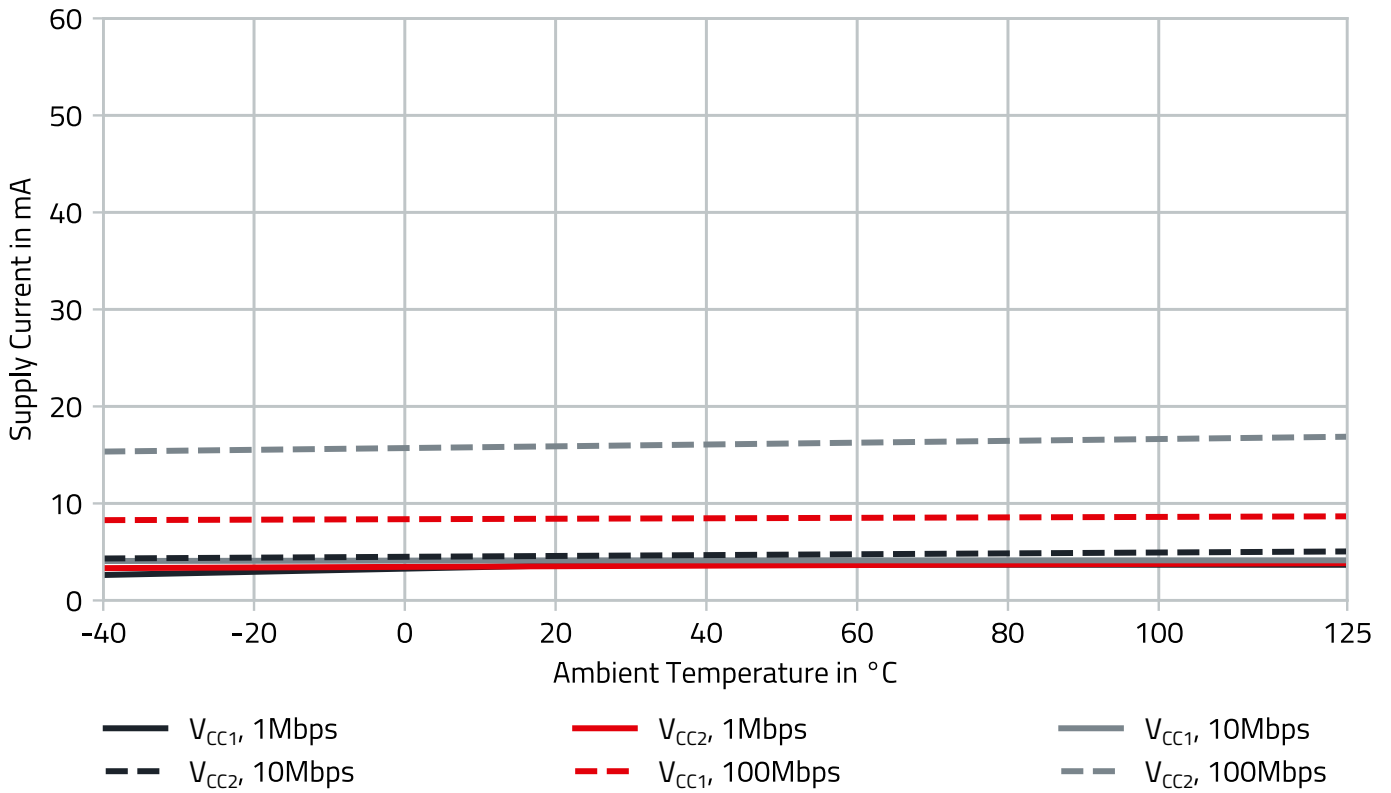


Figure 15: 18014115401x supply current $V_{CC1} = V_{CC2} = 3.3V$.

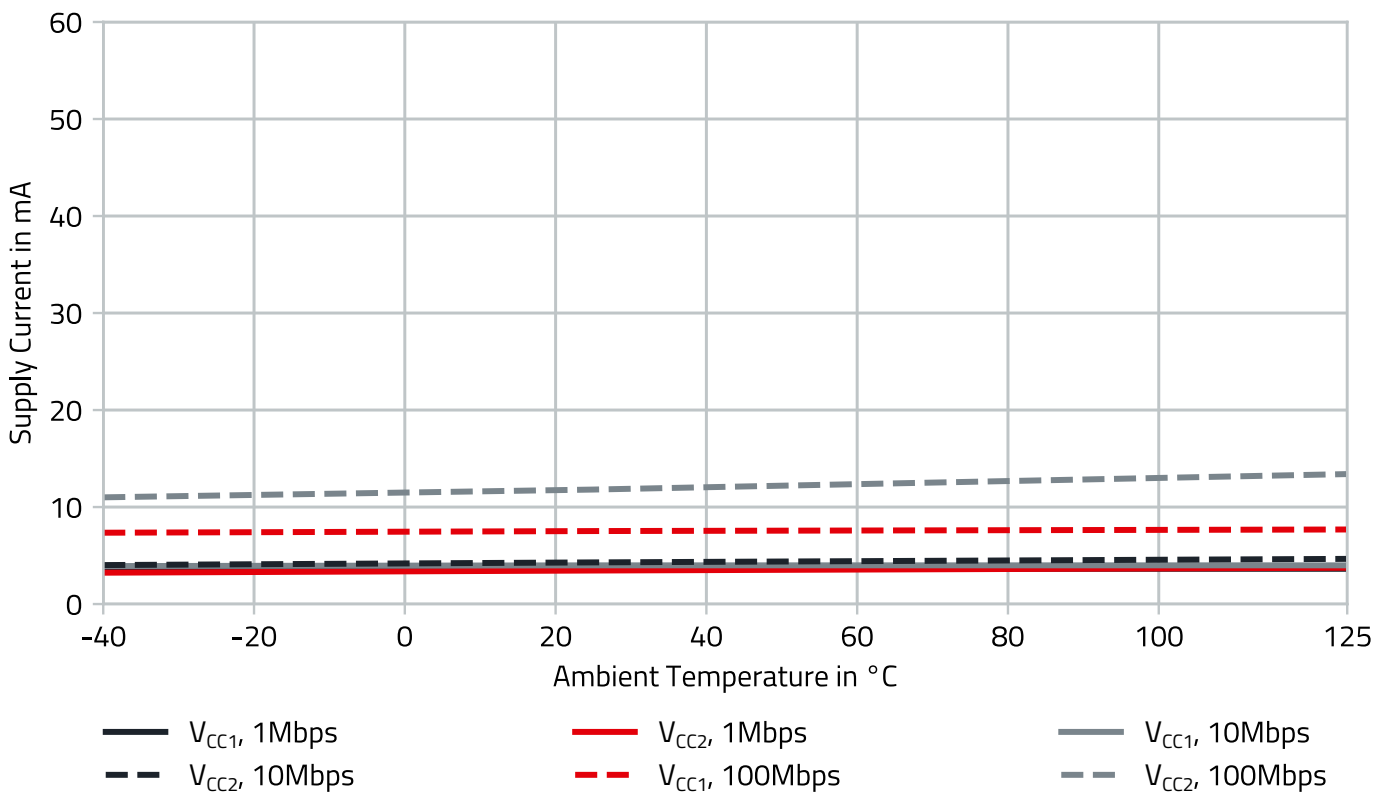


Figure 16: 18014115401x supply current $V_{CC1} = V_{CC2} = 2.5V$.

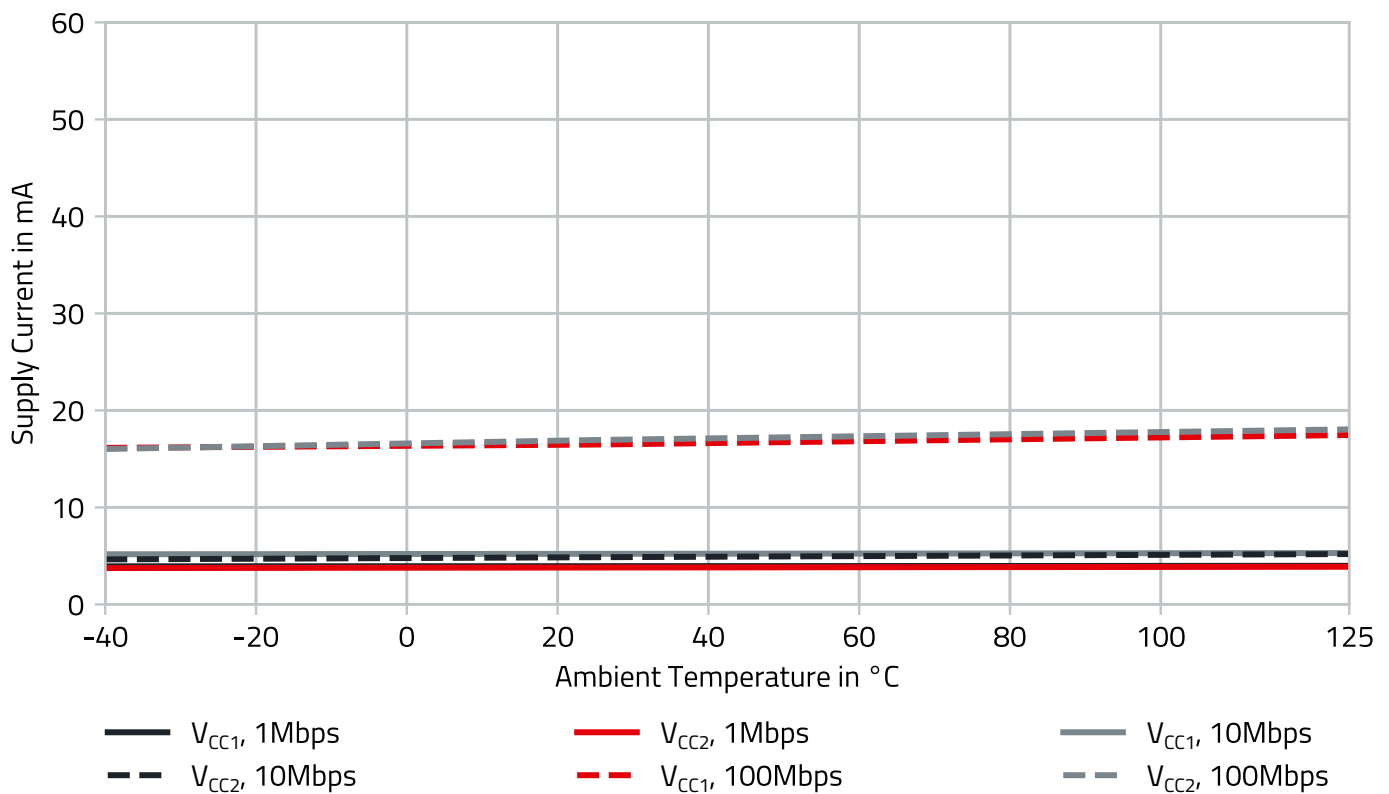


Figure 17: 18014215401x supply current $V_{CC1} = V_{CC2} = 5V$.

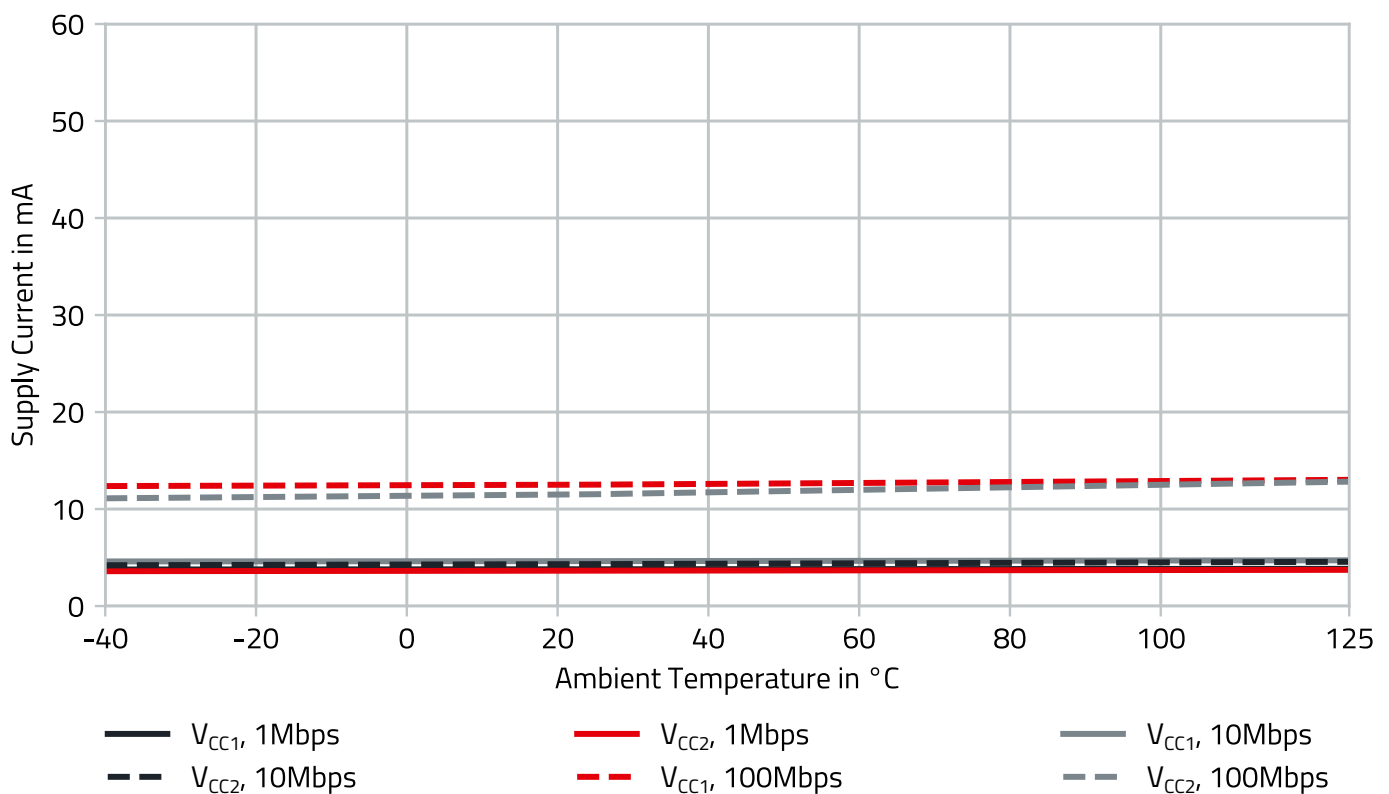


Figure 18: 18014215401x supply current $V_{CC1} = V_{CC2} = 3.3V$.

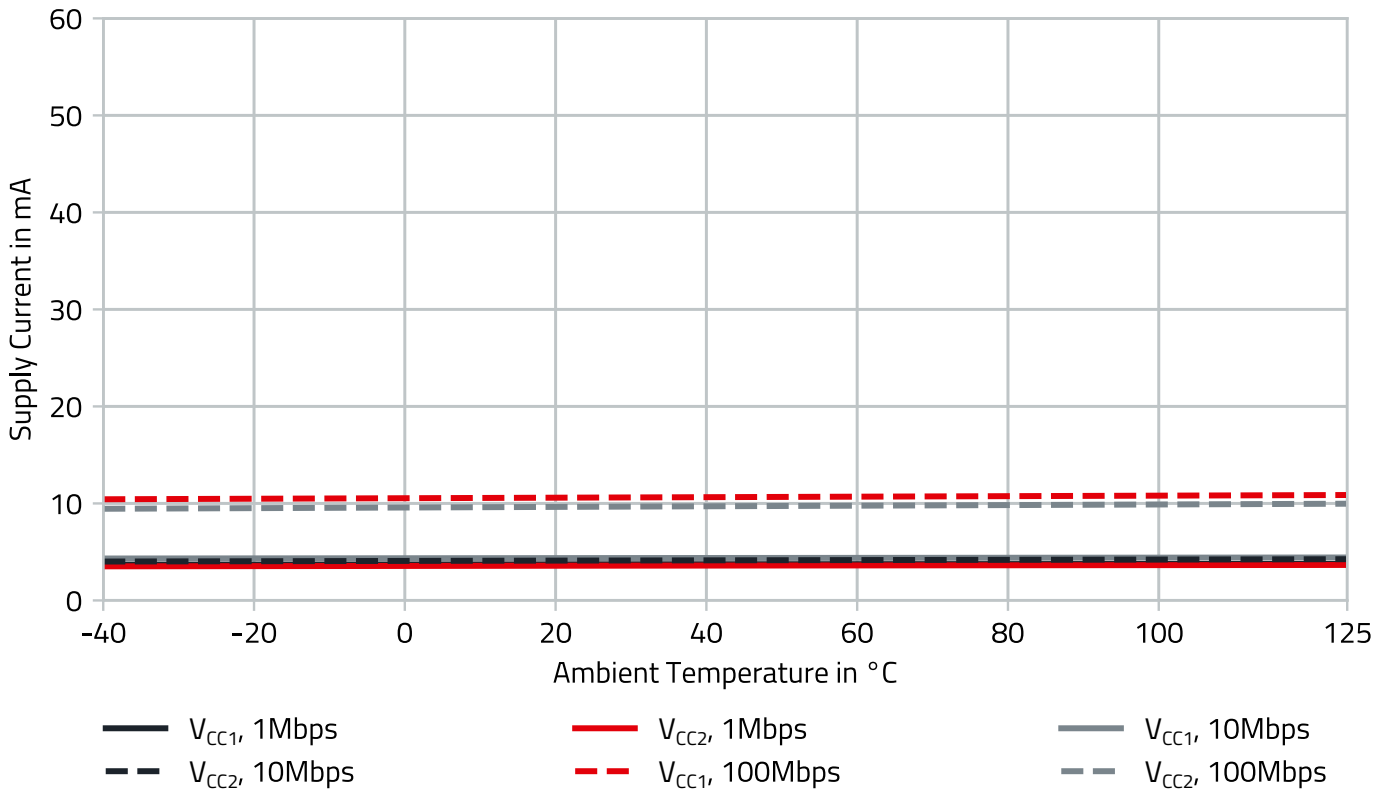


Figure 19: 18014215401x supply current V_{CC1} = V_{CC2} = 2.5V.

12.1.4 Supply Current vs. Data Rate

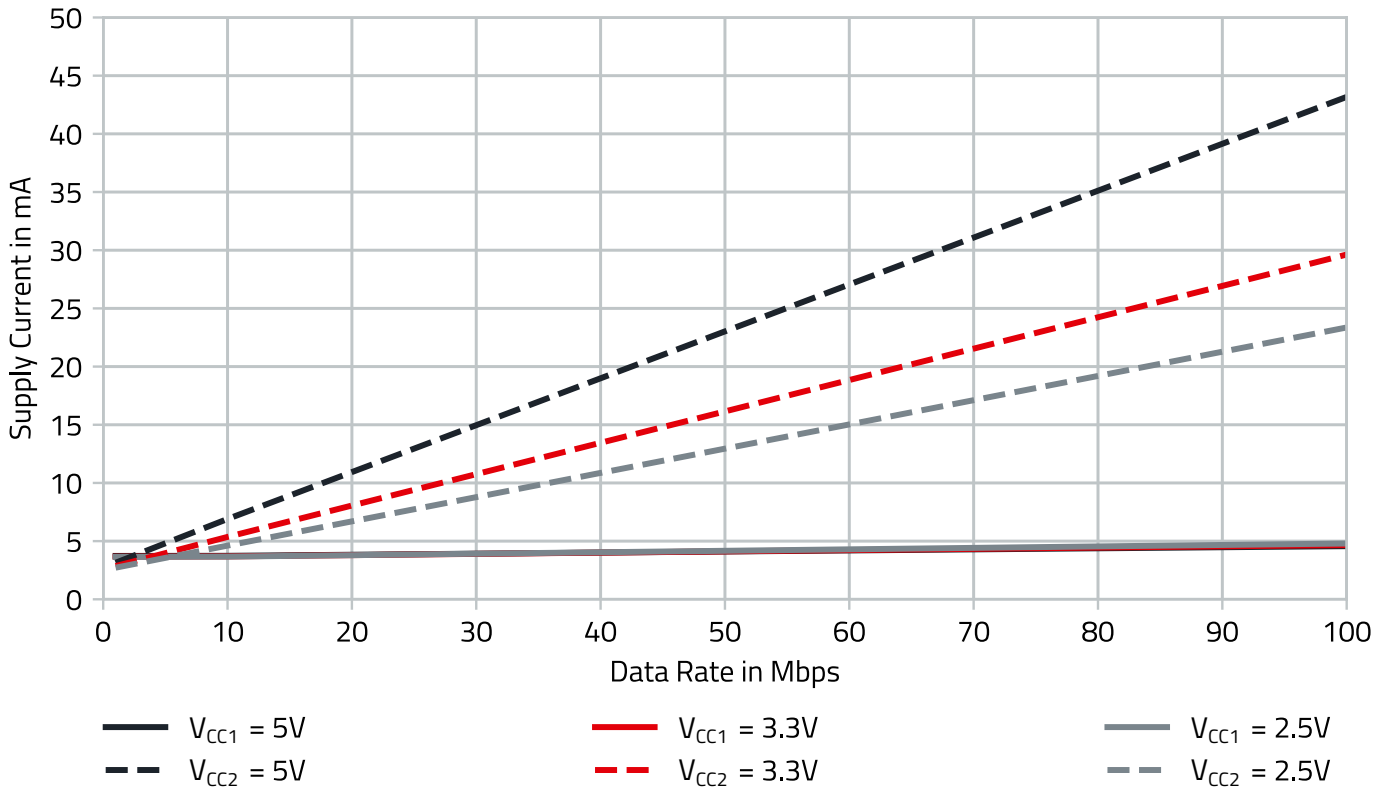


Figure 20: 18014015401x Supply current vs. data rate.

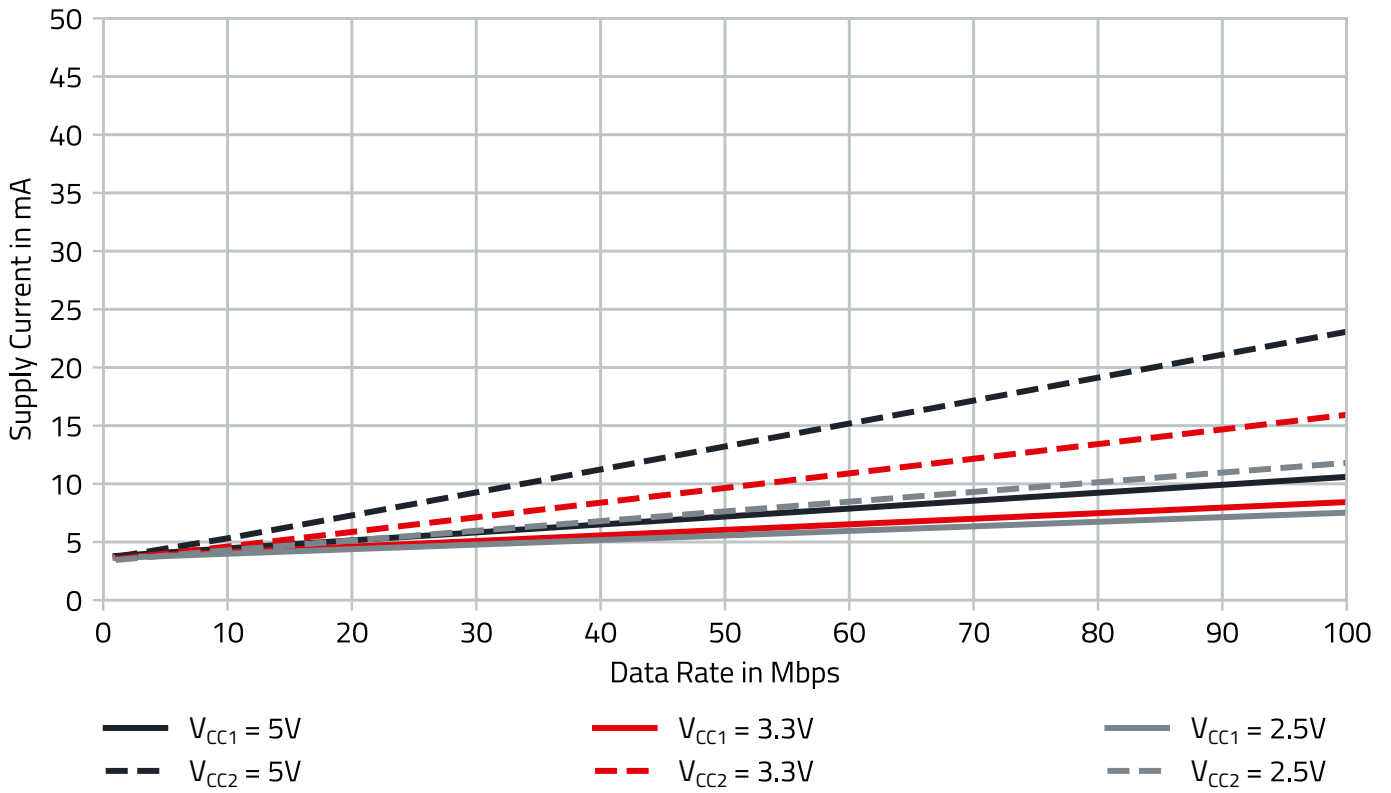


Figure 21: 18014115401x Supply current vs. data rate.

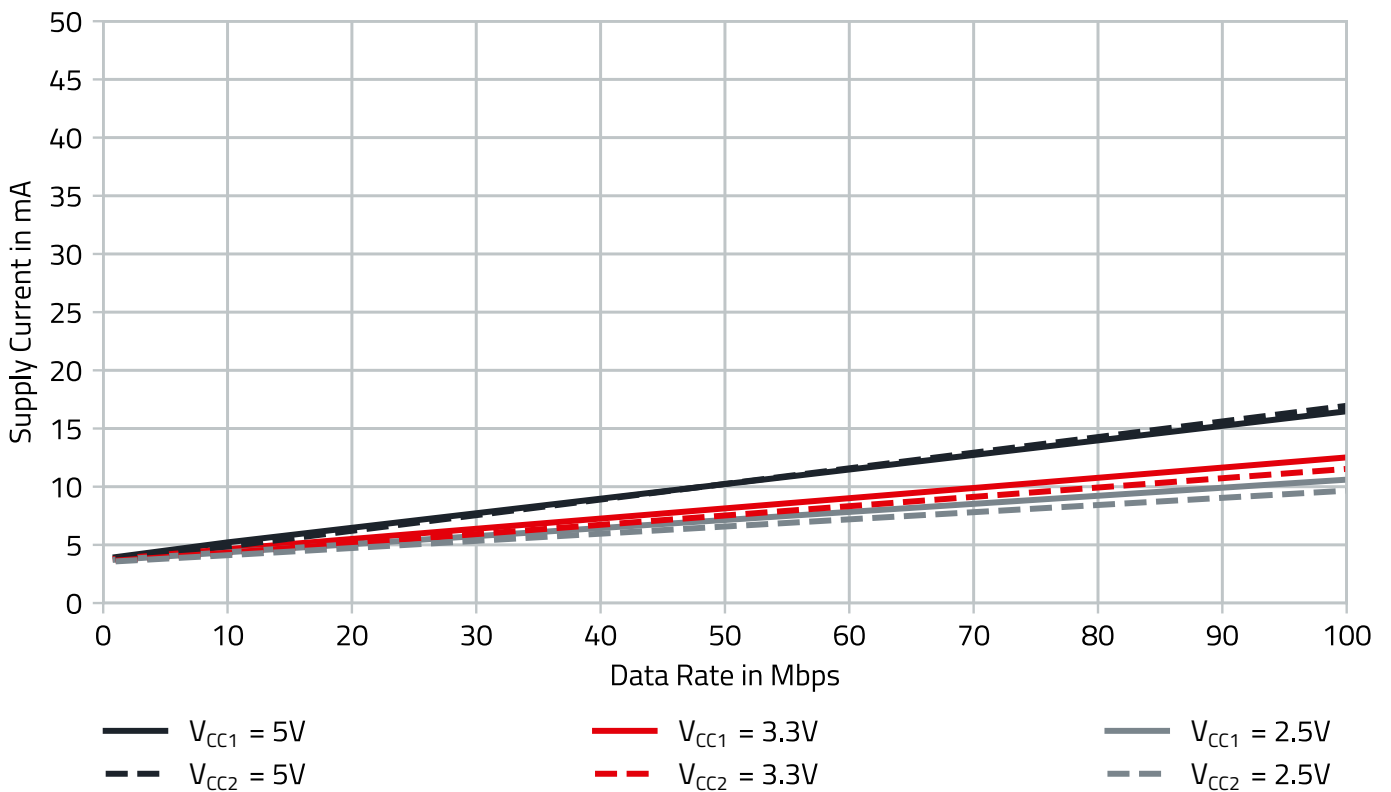


Figure 22: 18014215401x Supply current vs. data rate.

12.1.5 High and Low Voltage Levels vs. Output Current

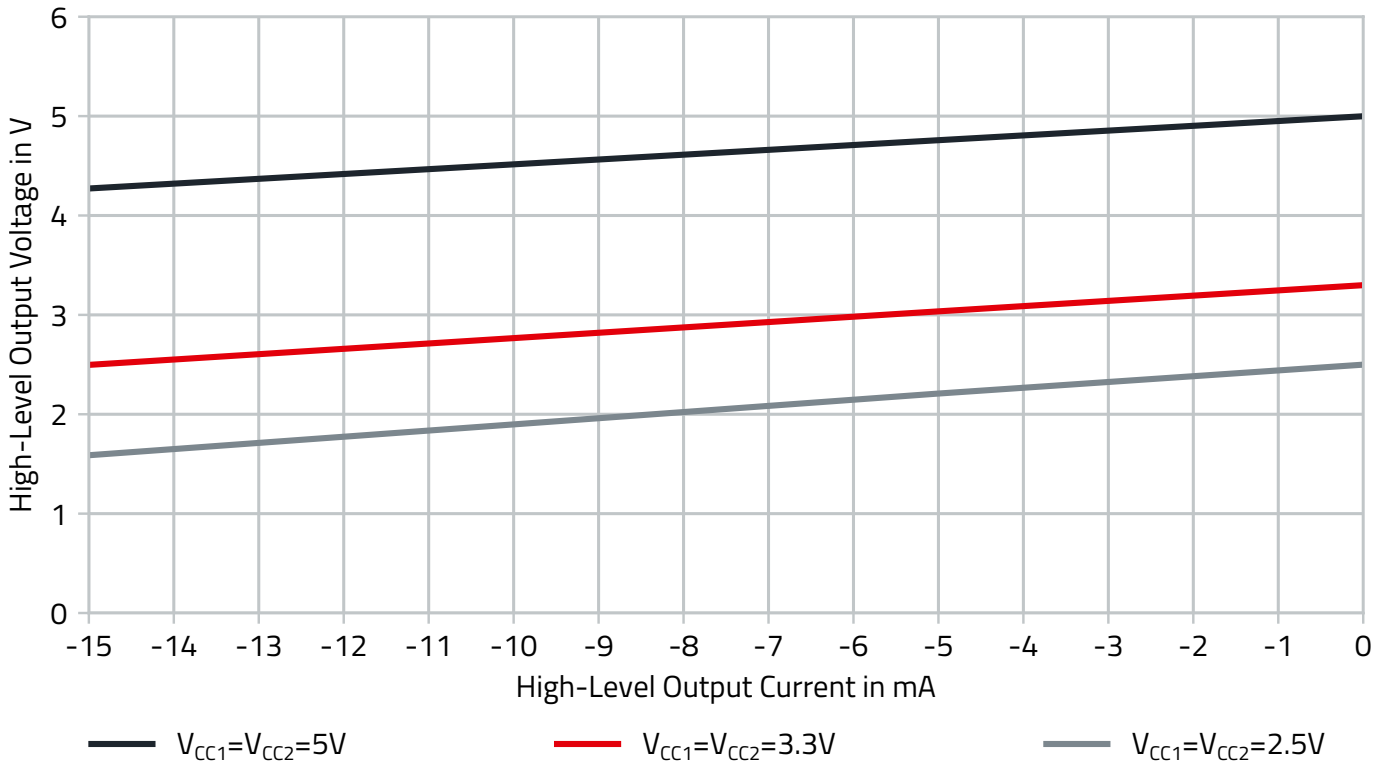


Figure 23: 18014x15401x high-level output voltage vs. high-level output current.

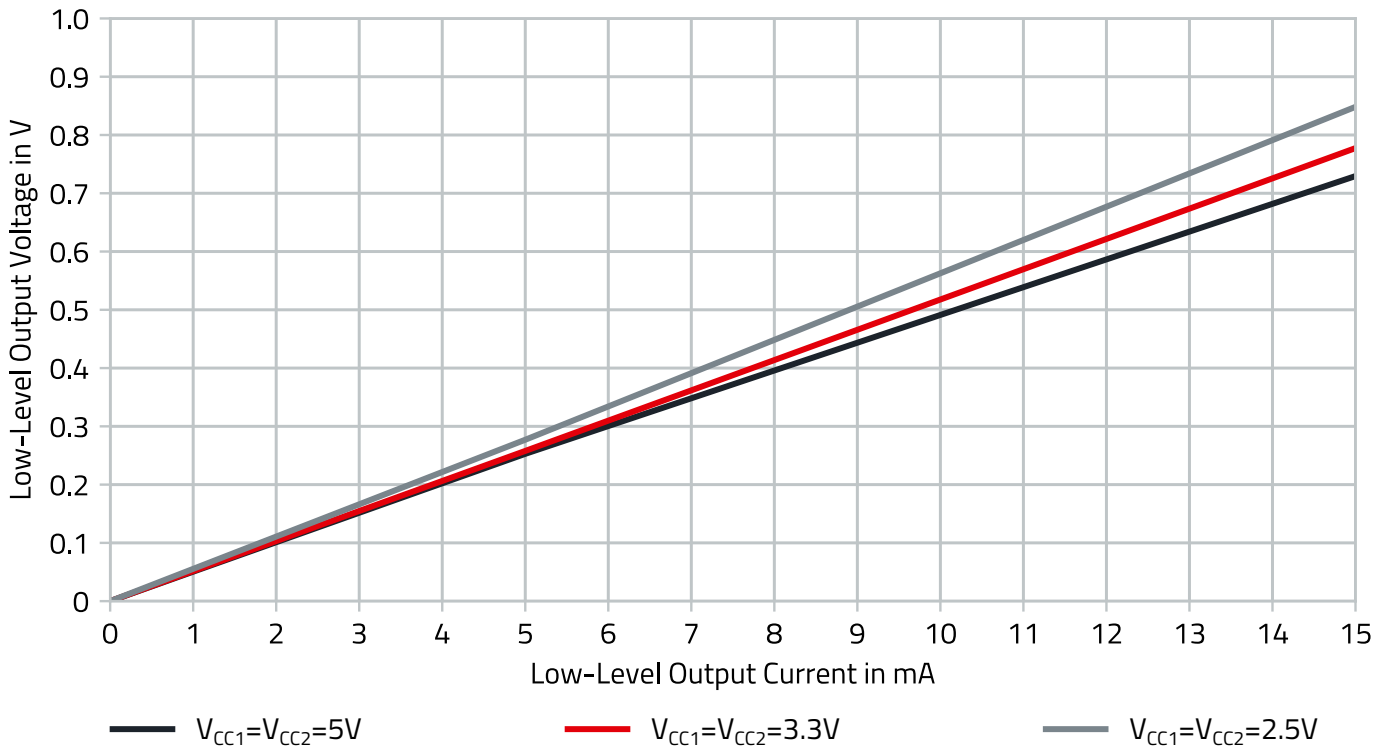


Figure 24: 18014x15401x low-level output voltage vs. low-level output current.

12.1.6 Safety Limiting Curves

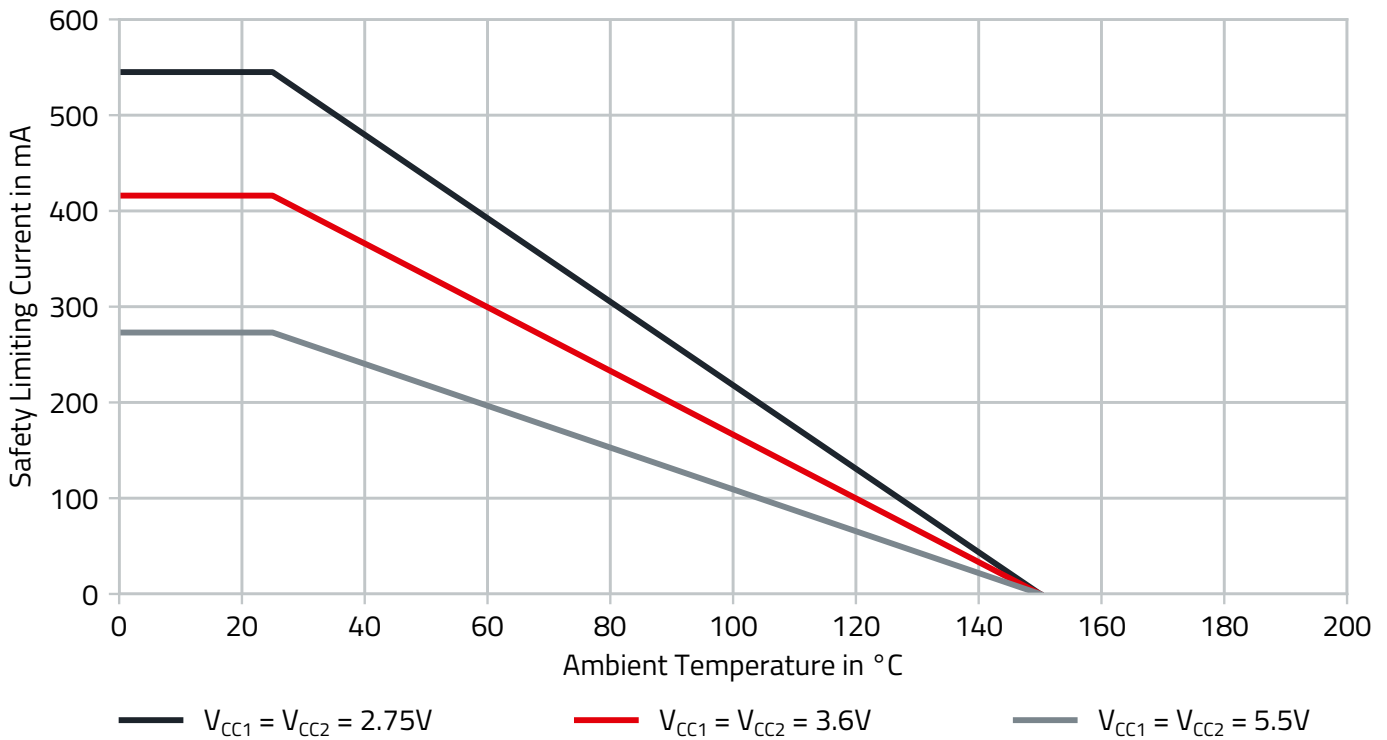


Figure 25: 18014x15401x safety limiting current.

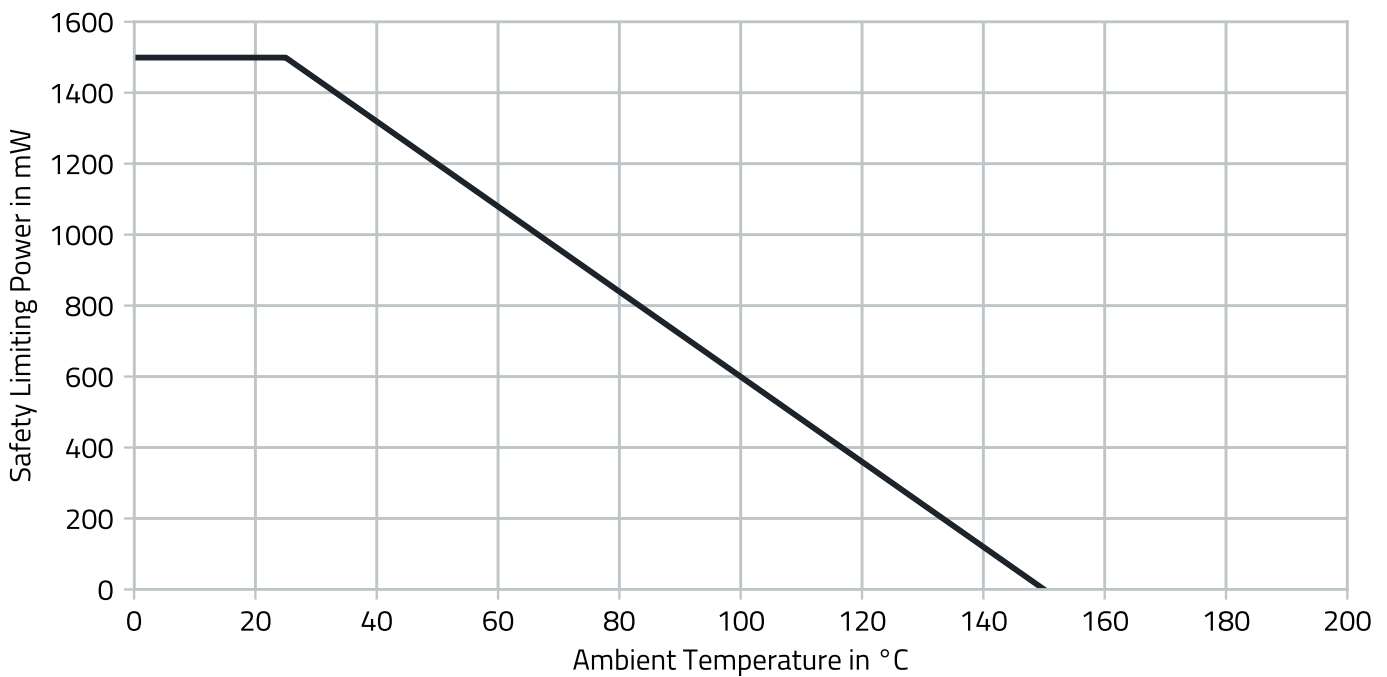


Figure 26: 18014x15401x safety limiting power.

13 I/O TRUTH TABLES

Table 15: I/O truth table.

V _{CC1}	V _{CC2}	Enable ENX	Input V _{INX}	Output V _{OUTX}	Operation
≥2.375V	≥2.375V	H or open	H	H	Normal operation: The channel output follows the logic state of its input.
		H or open	L	L	
		H or open	Open	Default	Default output: When input V _{INX} is open, the corresponding channel output goes to its default logic state.
X	≥2.375V	L	X	Z	High impedance: A low level at the Enable pin causes the channel output to enter a high impedance state.
≤2V	≥2.375V	H or Open	X	Default	Default output: When the primary supply is unpowered, a channel output assumes the logic state based on its default configuration. Parts with H have a default of high while parts with L have a default of low.
X	≤2V	X	X	Undetermined	If V _{CC2} is unpowered, the channel output is undetermined.

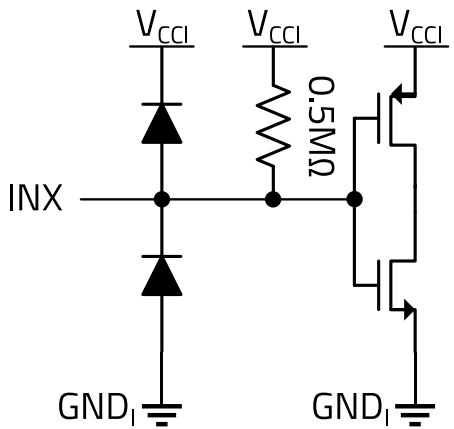
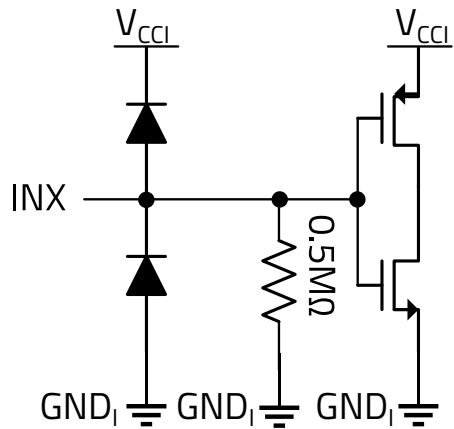
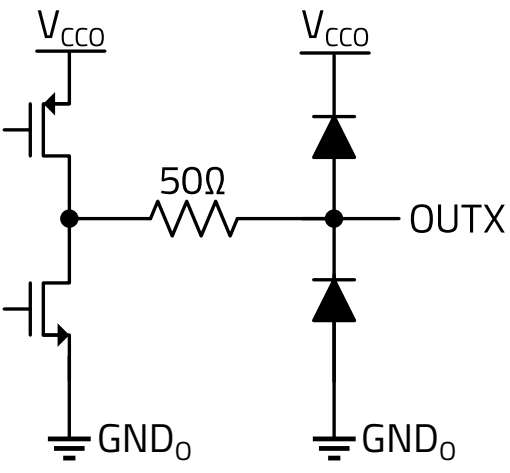
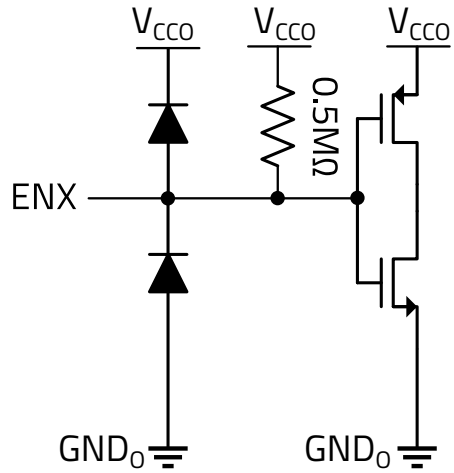
Table 16: Enable truth table.

Part Number	EN1	EN2	Operation
18014015401x	—	H	Secondary side outputs V _{OUTX} are enabled and each output follows the logic state of its corresponding input.
	—	L	Secondary side outputs V _{OUTX} are disabled and each output will exhibit a high impedance state.
18014115401x	H	X	Primary side outputs V _{OUT4} is enabled and follows the logic state of its corresponding input.
	L	X	Primary side outputs V _{OUT4} is disabled and the output will exhibit a high impedance state.
	X	H	Secondary side outputs V _{OUT1} , V _{OUT2} and V _{OUT3} are enabled and each output follows the logic state of its corresponding input.
	X	L	Secondary side outputs V _{OUT1} , V _{OUT2} and V _{OUT3} are disabled and each output will exhibit a high impedance state.
18014215401x	H	X	Primary side outputs V _{OUT3} and V _{OUT4} are enabled and follows the logic state of its corresponding input.
	L	X	Primary side outputs V _{OUT3} and V _{OUT4} are disabled and the output will exhibit a high impedance state.
	X	H	Secondary side outputs V _{OUT1} and V _{OUT2} are enabled and each output follows the logic state of its corresponding input.
	X	L	Secondary side outputs V _{OUT1} and V _{OUT2} are disabled and each output will exhibit a high impedance state.

Note: The enable signal must follow the limitations specified in the [ELECTRICAL SPECIFICATIONS](#).

14 I/O DESCRIPTION

Table 17: I/O schematics.

 <p>Figure 27: Default high channel input internal structure.</p>	 <p>Figure 28: Default low channel input internal structure.</p>
 <p>Figure 29: Channel output internal structure.</p>	 <p>Figure 30: Channel enable internal structure.</p>

For forward channels $V_{CCI} = V_{CC1}$, $V_{CCO} = V_{CC2}$, $GND_1 = GND1$ and $GND_0 = GND2$.
 For reverse channels $V_{CCI} = V_{CC2}$, $V_{CCO} = V_{CC1}$, $GND_1 = GND2$ and $GND_0 = GND1$.

15 TEST SCHEMATICS

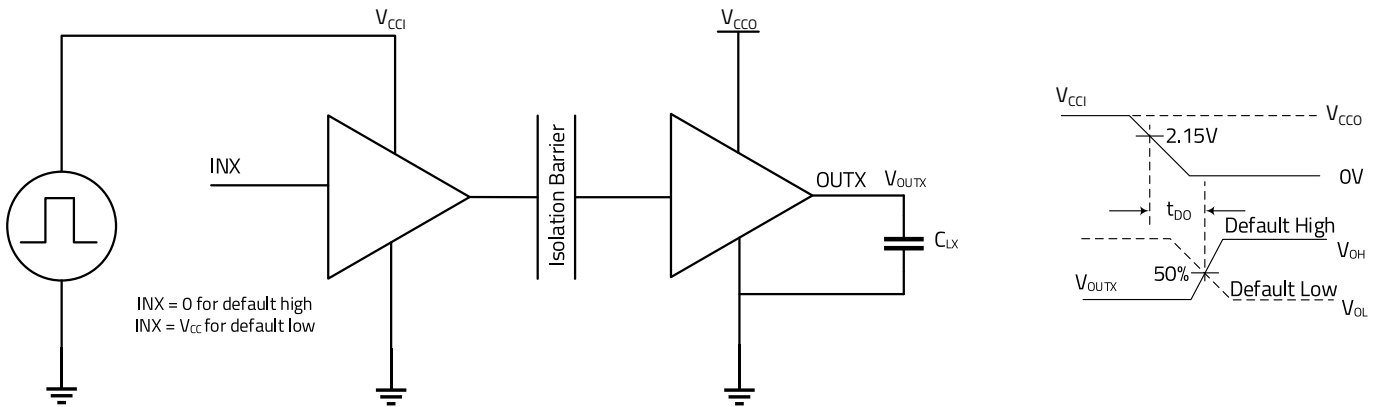


Figure 31: Default output delay test schematic.

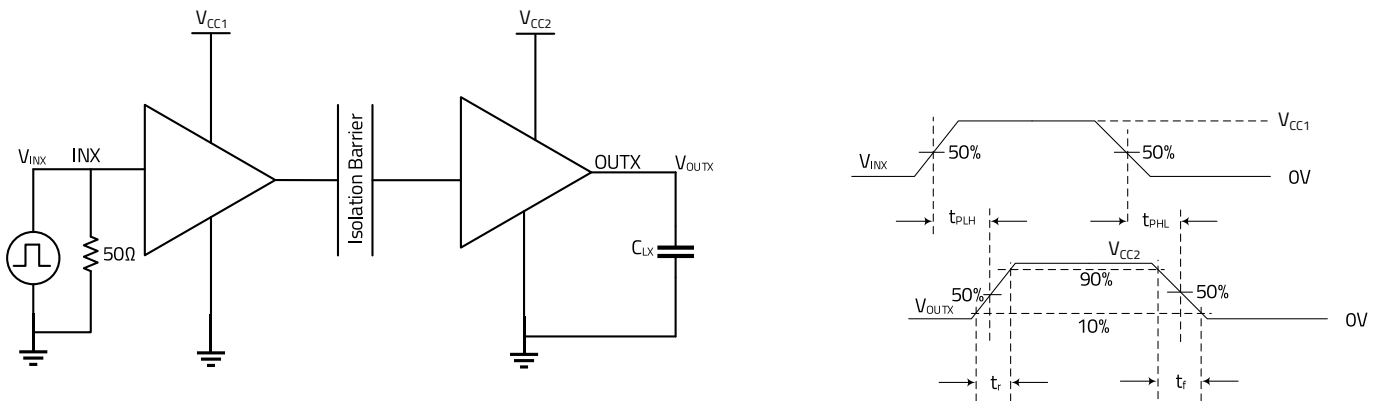


Figure 32: Propagation delay test schematic.

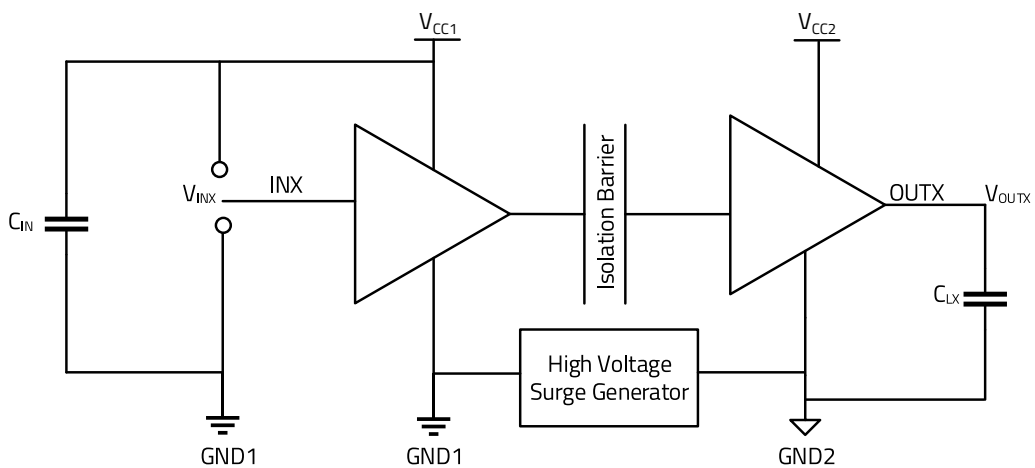


Figure 33: CMTI test schematic.

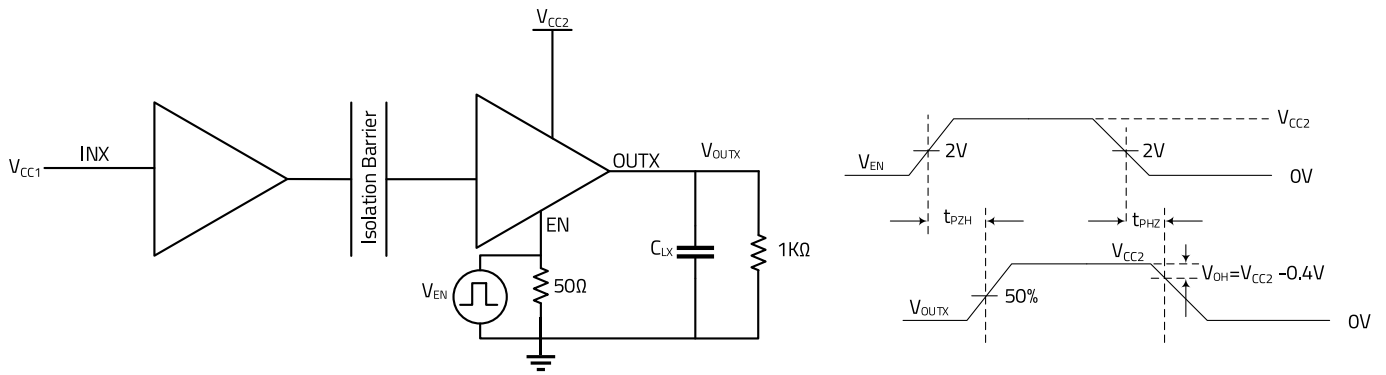


Figure 34: Enable/disable channel input high test schematic.

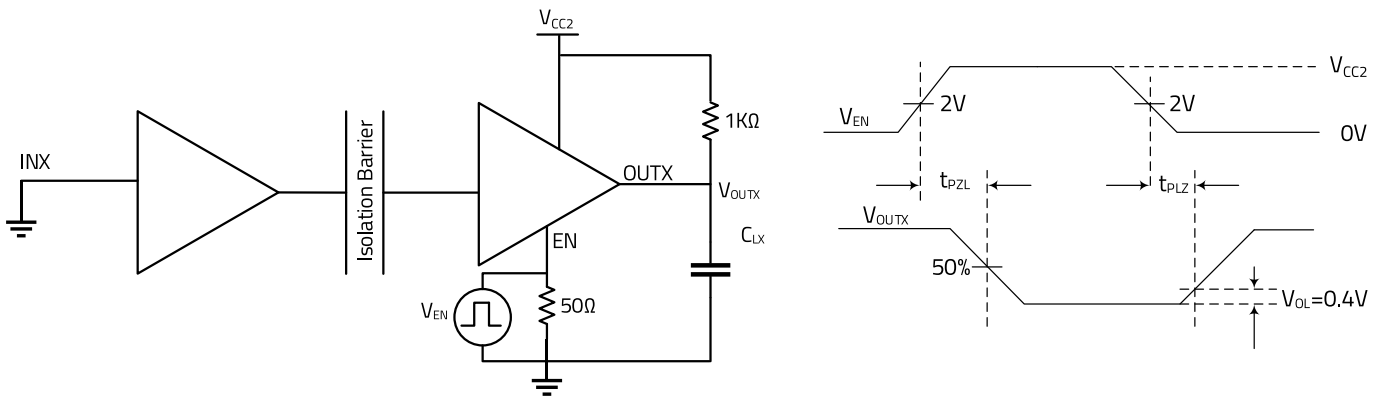


Figure 35: Enable/disable channel input low test schematic.

Note: $C_{LX} = 15 \text{ pF}$ and includes instrumentation and fixture capacitance within $\pm 20\%$.

16 BLOCK DIAGRAM

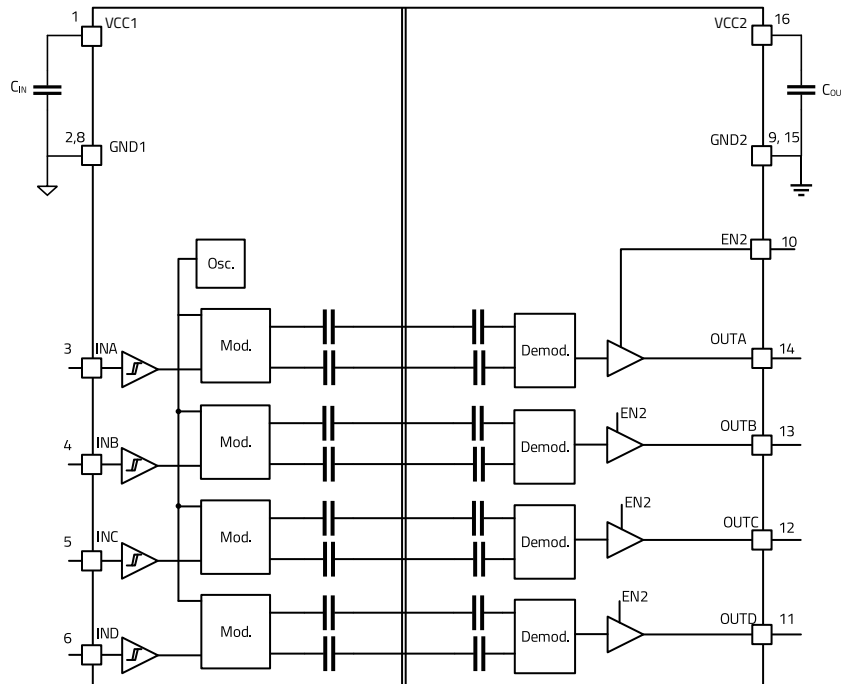


Figure 36: 18014015401x block diagram.

17 CIRCUIT DESCRIPTION

The WPME-CDIS digital isolator consists of four capacitive isolated digital channels that must be powered by two isolated supply voltages. The device is typically operated using 5V, 3.3V or 2.5V and the primary and secondary sides can be independently powered with any voltage within the operating conditions. The WPME-CDIS integrates the isolation capacitors in addition to the modulators and demodulators needed to construct the four isolated channels.

The isolation channels are realized using on/off key (OOK) modulation to transmit high or low speed signals through silicon dioxide isolation barriers. The on-chip oscillator is used to modulate the schmitt-triggered input signal. The modulator generates a differential signal that is transmitted through the capacitive isolation lines. The demodulator is located on the output side of the signal channel and used to amplify, filter and reconstruct the input signal with minimum propagation delay and distortion. Finally, the output of the demodulator is given to the output through buffer to improve the driving strength.

18 PROTECTION FEATURES

18.1 Input/Output Undervoltage Lockout (UVLO)

The device incorporates input and output undervoltage lockout (UVLO) to protect from unexpected behavior at input voltages below the recommended values. The thresholds of the UVLO are indicated in the [ELECTRICAL SPECIFICATIONS](#).

19 TYPICAL APPLICATION

The figure below depicts a typical application for a digital isolator used in serial port interface (SPI) communication between a microcontroller and analog to digital converter (ADC).

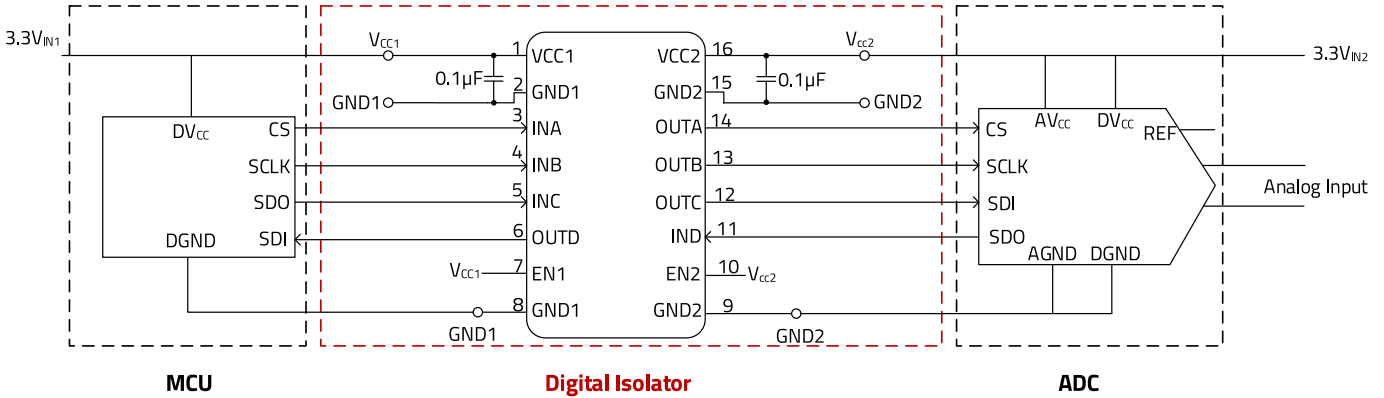


Figure 37: Typical application: SPI bus.

The 18014115401H and 18014115401L are shown in the above diagram in a conventional SPI implementation. The channel configuration allows for appropriate isolation and communication between the controller and peripheral devices.

20 HANDLING RECOMMENDATIONS

1. The digital isolator is classified as MSL3 (JEDEC Moisture Sensitivity Level 3) and requires special handling due to moisture sensitivity (JEDEC J-STD033D).
2. The parts are delivered in a sealed bag (Moisture Barrier Bag = MBB) and should be processed within one year.
3. When opening the moisture barrier bag, check the Humidity Indicator Card (HIC) for the color status. Bake parts prior to soldering in case indicator color has changed according to the notes on the card.
4. Parts must be processed after 168 hour (7 days) of floor life. Once this time has been exceeded, bake parts prior to soldering per JEDEC J-STD033D recommendation.
5. Maximum number of soldering cycles is two.
6. For minimum risk, solder the device in the last solder cycle of the PCB production.
7. The component lead material is copper (Cu) and the lead finish is Matte Sn (Matte Sn).
8. For solder paste use a standard SAC Alloy such as SAC 305, type 3 or higher.
9. The profile below is valid for convection reflow only.
10. Other soldering methods (e.g. vapor phase) are not verified and have to be validated by the customer at their own risk.

20.1 Soldering Profile

Table 18: Reflow solder profile.

Profile Feature	Symbol	Value
Preheat temperature minimum	T_{s_min}	150°C
Preheat temperature maximum	T_{s_max}	200°C
Preheat time from T_{s_min} to T_{s_max}	t_s	60-120 seconds
Liquidous temperature	T_L	217°C
Time maintained above T_L	t_L	60-90 seconds
Classification temperature	T_C	260°C
Peak package body temperature	T_P	$T_P \leq T_C$
Time within $T_C - 5^\circ\text{C}$ and T_C	t_p	$t_p \leq 30$ seconds
Ramp-up Rate (T_L to T_P)		3°C/second maximum
Ramp-down rate (T_P to T_L)		6°C/second maximum
Time 25°C to peak temperature		8 minutes maximum

Please refer to JEDEC J-STD020 for further information pertaining to reflow soldering of electronic components.

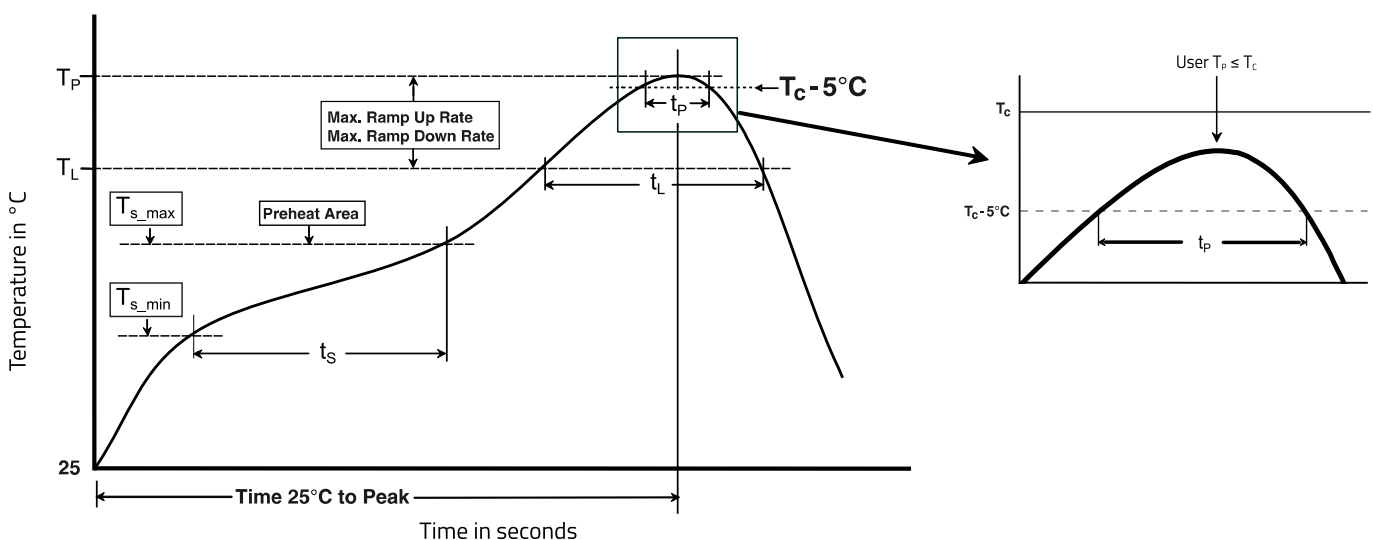


Figure 38: Soldering profile.

21 PHYSICAL DIMENSIONS

21.1 Component

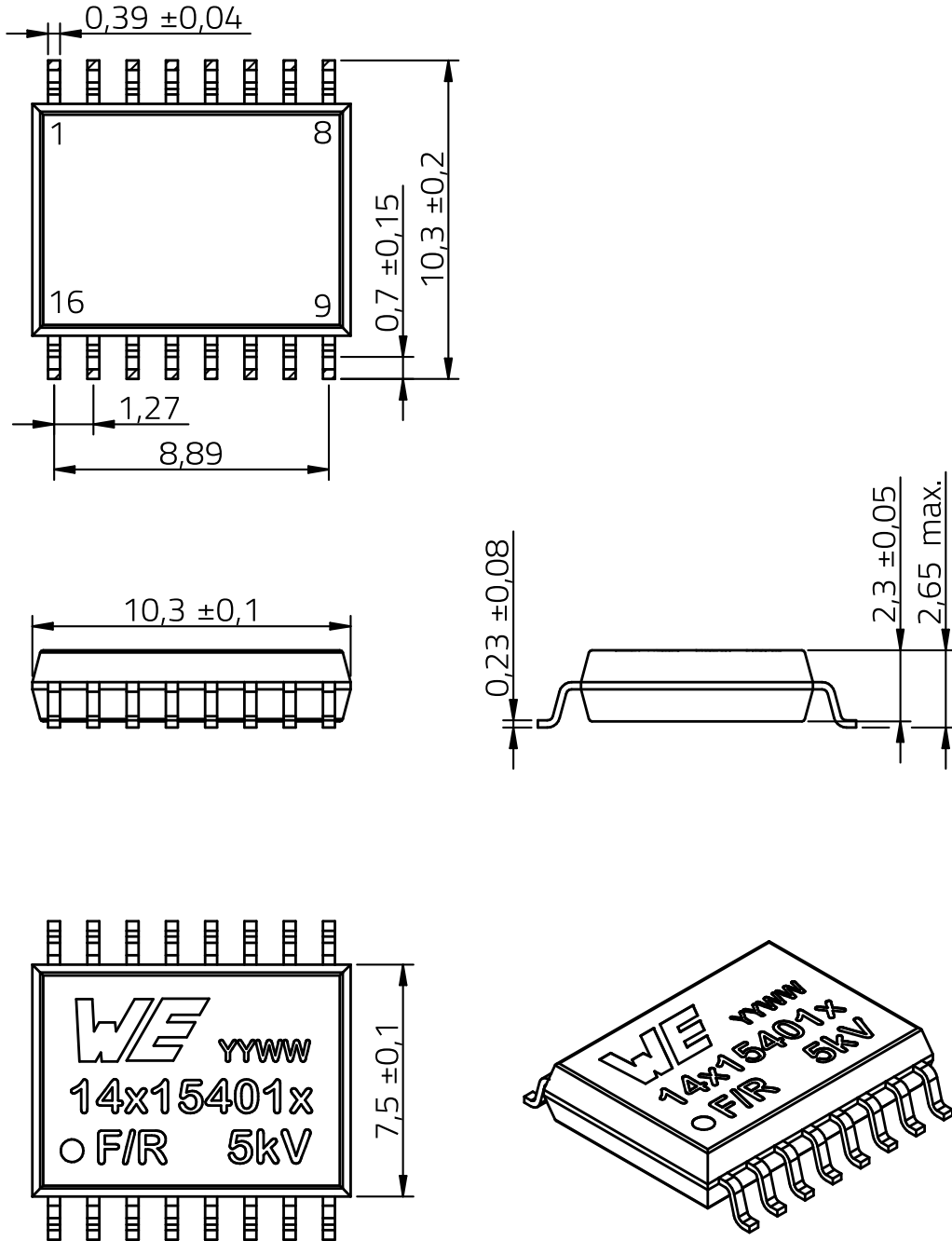


Figure 39: Component dimensions.

All dimensions in mm
 Tolerance: xx.x = $\pm 0,5$ mm ; xx.xx = $\pm 0,25$ mm unless otherwise noted

21.2 Recommended Landpattern

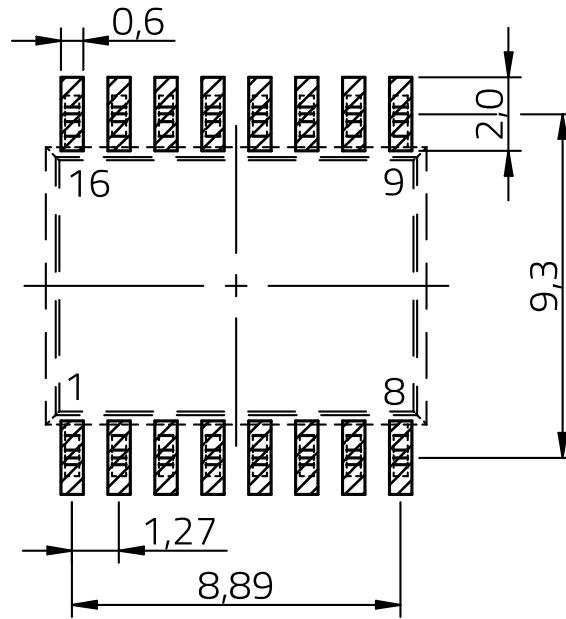


Figure 40: Recommended landpattern dimensions.
All dimensions in mm.

21.3 Packaging

Reel in mm

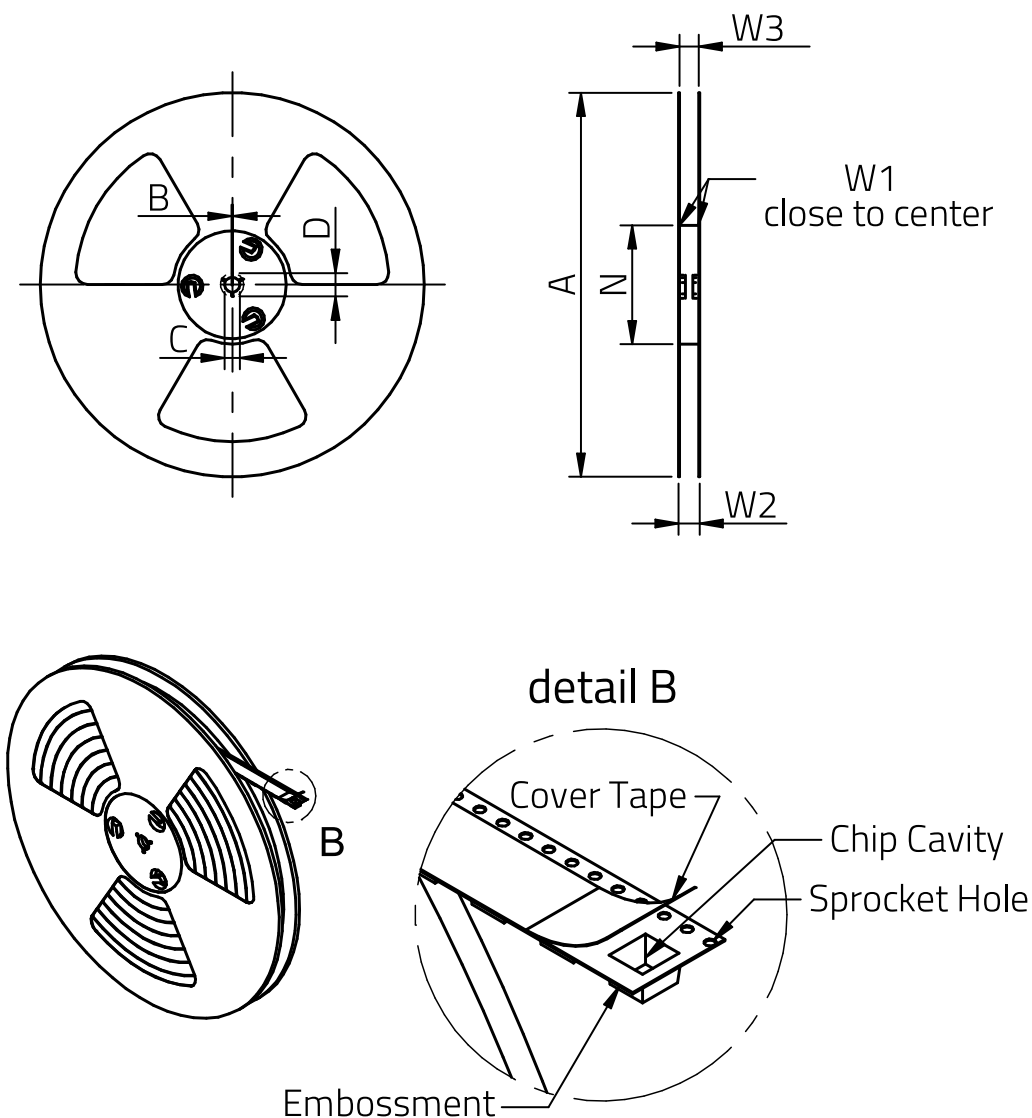


Figure 41: Reel dimensions.

Table 19: Reel dimensions.

A	B	C	D	N	W1	W2	W3	W3
±2.00	min.	min.	min.	min.	+2.00	max.	min.	max.
330.00	1.50	12.80	20.20	60.00	16.40	22.40	15.90	19.40

Reel material is polystyrene.
All dimensions in mm.

Tape in mm

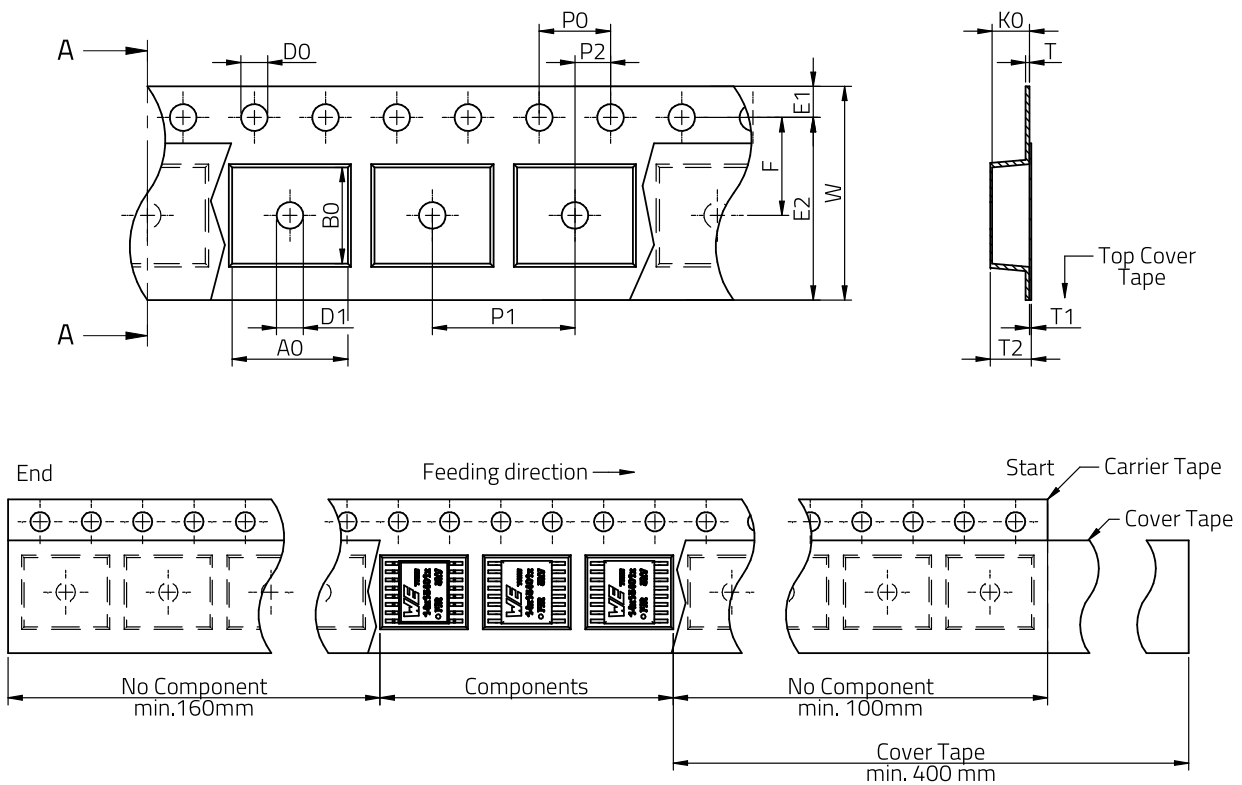


Figure 42: Tape dimensions.

Table 20: Tape dimensions part 1.

A0	B0	D0	D1	E1	E2	F	P0	P1	P2	W
typ.	typ.	min.	±0.10	min.	±0.10	±0.10	±0.10	±0.10	±0.10	±0.10
10.90	10.70	1.50	1.50	1.75	14.25	7.50	4.00	12.00	2.00	16.00

Table 21: Tape dimensions part 2.

K0	T	T1	T2
typ.	typ.	ref.	typ.
3.2	0.35	0.1	3.4

Tape material is polystyrene.
All dimensions in mm.

22 DOCUMENT HISTORY

Table 22: Document history.

Revision	Date	Description	Comment
1.0	September 2023	Initial release of datasheet	
2.0	July 2024	PCN	<ol style="list-style-type: none">1. Added VDE 0884-17 reinforced insulation specifications and expanded IEC 60664-1 information in the isolation specification table.2. Corrected front page dimensions to accurately reflect the physical dimensions of the component.3. Updated approvals section to show the relevant certification numbers for VDE and UL.4. Removed Isolation Voltage chapter.

23 LIST OF FIGURES

1	Pinout.	4
2	Marking.	4
3	Quiescent current, all channel inputs set to logic high.	14
4	Quiescent current, all channel inputs set to logic low.	14
5	Quiescent current, all channel inputs set to logic high.	15
6	Quiescent current, all channel inputs set to logic low.	15
7	Quiescent current, all channel inputs set to logic high.	16
8	Quiescent current, all channel inputs set to logic low.	16
9	Propagation delay, all channels with low to high transition, $C_{LOAD} = 15pF$	17
10	Propagation delay, all channels with high to low transition, $C_{LOAD} = 15pF$	17
11	18014015401x supply current $V_{CC1} = V_{CC2} = 5V$	18
12	18014015401x supply current $V_{CC1} = V_{CC2} = 3.3V$	18
13	18014015401x supply current $V_{CC1} = V_{CC2} = 2.5V$	19
14	18014115401x supply current $V_{CC1} = V_{CC2} = 5V$	19
15	18014115401x supply current $V_{CC1} = V_{CC2} = 3.3V$	20
16	18014115401x supply current $V_{CC1} = V_{CC2} = 2.5V$	20
17	18014215401x supply current $V_{CC1} = V_{CC2} = 5V$	21
18	18014215401x supply current $V_{CC1} = V_{CC2} = 3.3V$	21
19	18014215401x supply current $V_{CC1} = V_{CC2} = 2.5V$	22
20	Supply current vs. data rate.	22
21	Supply current vs. data rate.	23
22	Supply current vs. data rate.	23
23	High-level output voltage vs. high-level output current.	24
24	Low-level output voltage vs. low-level output current.	24
25	Safety limiting current.	25
26	Safety limiting power.	25
27	Default high channel input internal structure.	27
28	Default low channel input internal structure.	27
29	Channel output internal structure.	27
30	Channel enable internal structure.	27
31	Default output delay test schematic.	28
32	Propagation delay test schematic.	28
33	CMTI test schematic.	28
34	Enable/disable channel input high test schematic.	29
35	Enable/disable channel input low test schematic.	29
36	Block diagram.	30
37	Typical application: SPI bus.	31
38	Soldering profile.	32
39	Component dimensions.	33
40	Recommended landpattern dimensions.	34
41	Reel dimensions.	35
42	Tape dimensions.	36

24 LIST OF TABLES

1	Marking description.	4
2	Pin description.	4
3	Ordering information.	5
4	Absolute maximum ratings.	6
5	Operating conditions.	6
6	Electrical specifications part 1.	7
7	Electrical specifications part 2.	8
8	Electrical specifications part 3.	9
9	Electrical specifications part 4.	10
10	Electrical specifications part 5.	11
11	Isolation specification table.	12
12	Approvals.	13
13	RoHS, REACH.	13
14	Package specifications.	13
15	I/O truth table.	26
16	Enable truth table.	26
17	I/O schematics.	27
18	Reflow solder profile.	32
19	Reel dimensions.	35
20	Tape dimensions part 1.	36
21	Tape dimensions part 2.	36
22	Document history.	37

25 CAUTIONS AND WARNINGS

The following conditions apply to all goods within the product series of digital isolators of Würth Elektronik eiSos GmbH & Co. KG:

General:

- All recommendations according to the general technical specifications of the datasheet have to be complied with.
- The usage and operation of the product within ambient conditions which probably alloy or harm the component surface has to be avoided.
- The responsibility for the applicability of customer specific products and use in a particular customer design is always within the authority of the customer. All technical specifications for standard products do also apply for customer specific products
- Residual washing varnish agent that is used during the production to clean the application might change the characteristics of the body, pins or termination. The washing varnish agent could have a negative effect on the long term function of the product. Direct mechanical impact to the product shall be prevented as the material of the body, pins or termination could flake or in the worst case it could break. As these devices are sensitive to electrostatic discharge customer shall follow proper IC Handling Procedures.
- Customer acknowledges and agrees that it is solely responsible for compliance with all legal, regulatory and safety-related requirements concerning its products, and any use of Würth Elektronik eiSos GmbH & Co. KG components in its applications, notwithstanding any applications-related information or support that may be provided by Würth Elektronik eiSos GmbH & Co. KG.
- Customer represents and agrees that it has all the necessary expertise to create and implement safeguards which anticipate dangerous consequences of failures, monitor failures and their consequences lessen the likelihood of failures that might cause harm and take appropriate remedial actions
- Customer will fully indemnify Würth Elektronik eiSos and its representatives against any damages arising out of the use of any Würth Elektronik eiSos GmbH & Co. KG components in safety-critical applications

Product specific:

Follow all instructions mentioned in the datasheet, especially:

- The solder profile has to comply with the technical reflow or wave soldering specification, otherwise this will void the warranty.
- All products are supposed to be used before the end of the period of 12 months based on the product date-code.
- Violation of the technical product specifications such as exceeding the absolute maximum ratings will void the warranty.
- It is also recommended to return the body to the original moisture proof bag and reseal the moisture proof bag again.
- ESD prevention methods need to be followed for manual handling and processing by machinery.

Disclaimer:

This electronic component has been designed and developed for usage in general electronic equipment only. This product is not authorized for use in equipment where a higher safety standard and reliability standard is especially required or where a failure of the product is reasonably expected to cause severe personal injury or death, unless the parties have executed an agreement specifically governing such use. Moreover Würth Elektronik eiSos GmbH & Co. KG products are neither designed nor intended for use in areas such as military, aerospace, aviation, nuclear control, submarine, transportation (automotive control, train control, ship control), transportation signal, disaster prevention, medical, public information network etc. Würth Elektronik eiSos GmbH & Co. KG must be informed about the intent of such usage before the design-in stage. In addition, sufficient reliability evaluation checks for safety must be performed on every electronic component which is used in electrical circuits that require high safety and reliability functions or performance. These cautions and warnings comply with the state of the scientific and technical knowledge and are believed to be accurate and reliable. However, no responsibility is assumed for inaccuracies or incompleteness.

26 IMPORTANT NOTES

General Customer Responsibility

Some goods within the product range of Würth Elektronik eiSos GmbH & Co. KG contain statements regarding general suitability for certain application areas. These statements about suitability are based on our knowledge and experience of typical requirements concerning the areas, serve as general guidance and cannot be estimated as binding statements about the suitability for a customer application. The responsibility for the applicability and use in a particular customer design is always solely within the authority of the customer. Due to this fact it is up to the customer to evaluate, where appropriate to investigate and decide whether the device with the specific product characteristics described in the product specification is valid and suitable for the respective customer application or not. Accordingly, the customer is cautioned to verify that the datasheet is current before placing orders.

Customer Responsibility Related to Specific, in Particular Safety-Relevant, Applications

It has to be clearly pointed out that the possibility of a malfunction of electronic components or failure before the end of the usual lifetime cannot be completely eliminated in the current state of the art, even if the products are operated within the range of the specifications. In certain customer applications requiring a very high level of safety and especially in customer applications in which the malfunction or failure of an electronic component could endanger human life or health it must be ensured by most advanced technological aid of suitable design of the customer application that no injury or damage is caused to third parties in the event of malfunction or failure of an electronic component.

Best Care and Attention

Any product-specific notes, warnings and cautions must be strictly observed. Any disregard will result in the loss of warranty.

Customer Support for Product Specifications

Some products within the product range may contain substances which are subject to restrictions in certain jurisdictions in order to serve specific technical requirements. Necessary information is available on request. In this case the field sales engineer or the internal sales person in charge should be contacted who will be happy to support in this matter.

Product R&D

Due to constant product improvement product specifications may change from time to time. As a standard reporting procedure of the Product Change Notification (PCN) according to the JEDEC-Standard we inform about minor and major changes. In case of further queries regarding the PCN, the field sales engineer or the internal sales person in charge should be contacted. The basic responsibility of the customer as per Section 1 and 2 remains unaffected.

Product Life Cycle

Due to technical progress and economical evaluation we also reserve the right to discontinue production and delivery of products. As a standard reporting procedure of the Product Termination Notification (PTN) according to the JEDEC Standard we will inform at an early stage about inevitable product discontinuance. According to this we cannot guarantee that all products within our product range will always be available. Therefore it needs to be verified with the field sales engineer or the internal sales person in charge about the current product availability expectancy before or when the product for application design-in disposal is considered. The approach named above does not apply in the case of individual agreements deviating from the foregoing for customer-specific products.

Property Rights

All the rights for contractual products produced by Würth Elektronik eiSos GmbH & Co. KG on the basis of ideas, development contracts as well as models or templates that are subject to copyright, patent or commercial protection supplied to the customer will remain with Würth Elektronik eiSos GmbH & Co. KG. Würth Elektronik eiSos GmbH & Co. KG does not warrant or represent that any license, either expressed or implied, is granted under any patent right, copyright, mask work right, or other intellectual property right relating to any combination, application, or process in which Würth Elektronik eiSos GmbH & Co. KG components or services are used.

General Terms and Conditions

Unless otherwise agreed in individual contracts, all orders are subject to the current version of the "General Terms and Conditions of Würth Elektronik eiSos Group", last version available at www.we-online.com.