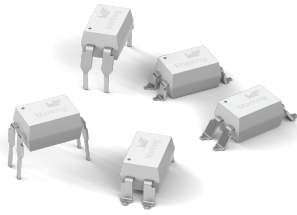


Overview



Characteristics

- High isolation voltage
- Good stability of inner isolation
- Stable CTR in full operation
- Different CTR binnings available
- High Collector-Emitter Voltage
- Fast switching times

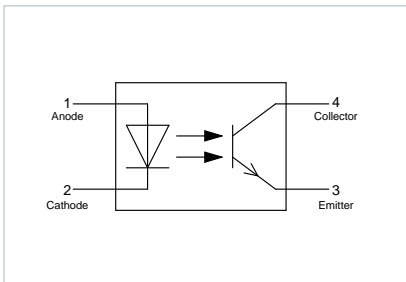
Applications

- Power Supply, charger
- Computers & Microprocessors
- Office equipment
- Instrumental applications, machines
- Ammeter, Smart Meter

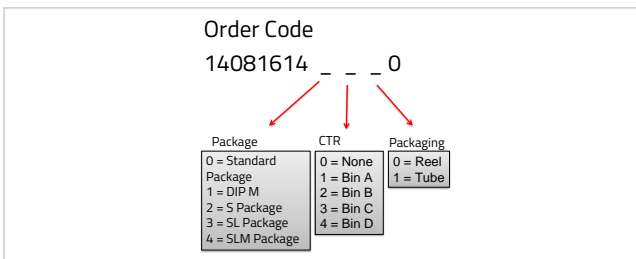
Types:

- The WE 816 series combine an infrared LED and phototransistor. Both parts are optically coupled and provided in a plastic DIP 4 package with different lead frame options. Products are available in a robust coplanar structure for stable isolation voltage.

Schematic:



Order Code



Application Notes

- AN0006 Lifetime of Optocouplers

Certification:	
RoHS Approval	Compliant [2011/65/EU&2015/863]
REACH Approval	Conform or declared [(EC)1907/2006]
Halogen Free	Conform [IEC 61249-2-21]
Halogen Free	Conform [JEDEC JS709B]
VDE Approval	40051484 [DIN EN 60747-5-5 (VDE0884-5); EN 60747-5-5:2011; A1:2015]
cULus Approval	E513104 [UL 1577]
CQC Approval	CQC20001244742 [GB4943.1-2001; GB8898-2011]

General Information:	
Operating Temperature	-55 up to +110 °C
Storage Conditions (for single parts)	-55 up to +125 °C
Storage Conditions (in original packaging)	< 40 °C; < 75 % RH
Moisture Sensitivity Level (MSL)	1

ORDER SAMPLES **SIMULATE IN REDEXPERT**



General Information

Absolute Maximum Ratings Input Properties (Ambient Temperature 25 °C unless otherwise specified):

Properties		Test conditions	Value	Unit
Forward Current	$I_{F \text{ max.}}$		60	mA
Peak Forward Current	$I_{F \text{ Peak}}$	duty/ 100 @ 100 Hz	1	A
Input Power Dissipation	P_I		100	mW
Reverse Voltage	V_{REV}		6	V

Absolute Maximum Ratings Output Properties: (Ambient Temperature 25 °C unless otherwise specified):

Properties		Value	Unit
Collector Emitter Voltage	V_{CE}	80	V
Emitter Collector Voltage	V_{EC}	7	V
Collector Current	$I_{CE,P}$	50	mA
Output Power Dissipation	P_O	150	mW

Absolute Maximum Ratings Common Properties:

Properties		Test conditions	Value	Unit
Power Dissipation ¹⁾	P_{Diss}		200	mW
Isolation Voltage	V_{ISO}	AC for 1 Minute, RH 40~60 %	5000	V (RMS)

¹⁾ Total power dissipation of the whole component

Electrical & Optical Input Properties:

Properties		Test conditions	Value		Unit
			typ.	max.	
Forward Voltage	V_F	$I_F = 10 \text{ mA}$	1.24	1.4	V
Reverse Current	I_{REV}	$V_{REV} = 6 \text{ V}$		10	μA
Input Capacitance	C_{in}	$V = 0 \text{ V}$ $f = 1 \text{ kHz}$	10		pF

Electrical & Optical Output Properties:

Properties		Test conditions	Value		Unit
			min.	max.	
Collector-Emitter Dark Current	$I_{CEO,Dark}$	$V_{CE} = 20 \text{ V}$ $I_F = 0$		100	nA
Collector-Emitter Breakdown Voltage	$V_{(BR)CE}$	$I_C = 100 \mu\text{A}$ $I_F = 0$	80		V
Emitter-Collector Breakdown Voltage	$V_{(BR)EC}$	$I_E = 100 \mu\text{A}$ $I_F = 0$	7		V

ORDER
SAMPLES

SIMULATE IN
REDEXPERT



General Information

Electrical & Optical Transfer Properties:

Properties		Test conditions	Value			Unit
			min.	typ.	max.	
Current Transfer Ratio	CTR	$I_F = 5 \text{ mA}$ $V_{CE} = 5 \text{ V}$	50		600	%
Collector-Emitter Saturation Voltage	V_{CEsat}	$I_F = 20 \text{ mA}$ $I_C = 1 \text{ mA}$		0.06	0.2	V
Rise Time	t_r	$V_{CE} = 2 \text{ V}$ $I_C = 2 \text{ mA}$ $R_L = 100 \Omega$		3	18	μs
Fall Time	t_f	$V_{CE} = 2 \text{ V}$ $I_C = 2 \text{ mA}$ $R_L = 100 \Omega$		4	18	μs
Cut-Off Frequency	f_c	$V_{CE} = 5 \text{ V}$ $I_C = 2 \text{ mA}$ $R_L = 1 \text{ k}\Omega$ -3 dB, Bin B		80		kHz
Floating Capacitance	C_{IO}	$V = 0 \text{ V}$ $f = 1 \text{ MHz}$		0.4		pF
Isolation Resistance	R_{ISO}	DC = 500 V 40~60 % R.H.	1	100		T Ω

ORDER
SAMPLES

SIMULATE IN
REDEXPERT



Specific Information

Order Code	$V_{CE\ max.}$ (V)	$I_F\ max.$ (mA)	Test Condition CTR	CTR (%) ^{min.}	CTR (%) ^{max.}	V_{ISO} (V (RMS))	Revision
Size DIP 4 Standard-Type							
140816140010	80	60	$I_F = 5\ mA$ $V_{CE} = 5\ V$	50	600	5000	001.006
140816140110	80	60	$I_F = 5\ mA$ $V_{CE} = 5\ V$	80	160	5000	001.006
140816140210	80	60	$I_F = 5\ mA$ $V_{CE} = 5\ V$	130	260	5000	001.006
140816140310	80	60	$I_F = 5\ mA$ $V_{CE} = 5\ V$	200	400	5000	001.006
140816140410	80	60	$I_F = 5\ mA$ $V_{CE} = 5\ V$	300	600	5000	001.006
Size DIP 4 M-Type							
140816141010	80	60	$I_F = 5\ mA$ $V_{CE} = 5\ V$	50	600	5000	001.006
140816141110	80	60	$I_F = 5\ mA$ $V_{CE} = 5\ V$	80	160	5000	001.006
140816141210	80	60	$I_F = 5\ mA$ $V_{CE} = 5\ V$	130	260	5000	001.006
140816141310	80	60	$I_F = 5\ mA$ $V_{CE} = 5\ V$	200	400	5000	001.006
140816141410	80	60	$I_F = 5\ mA$ $V_{CE} = 5\ V$	300	600	5000	001.006
Size DIP 4 S-Type							
140816142000	80	60	$I_F = 5\ mA$ $V_{CE} = 5\ V$	50	600	5000	001.006
140816142100	80	60	$I_F = 5\ mA$ $V_{CE} = 5\ V$	80	160	5000	001.006
140816142200	80	60	$I_F = 5\ mA$ $V_{CE} = 5\ V$	130	260	5000	001.006
140816142300	80	60	$I_F = 5\ mA$ $V_{CE} = 5\ V$	200	400	5000	001.006
140816142400	80	60	$I_F = 5\ mA$ $V_{CE} = 5\ V$	300	600	5000	001.006
Size DIP 4 SL-Type							
140816143000	80	60	$I_F = 5\ mA$ $V_{CE} = 5\ V$	50	600	5000	001.006
140816143100	80	60	$I_F = 5\ mA$ $V_{CE} = 5\ V$	80	160	5000	001.006
140816143200	80	60	$I_F = 5\ mA$ $V_{CE} = 5\ V$	130	260	5000	001.006
140816143300	80	60	$I_F = 5\ mA$ $V_{CE} = 5\ V$	200	400	5000	001.006

ORDER
SAMPLES

SIMULATE IN
REDEXPERT



Specific Information

Order Code	$V_{CE\ max.}$ (V)	$I_F\ max.$ (mA)	Test Condition CTR	CTR (%) ^{min.}	CTR (%) ^{max.}	V_{ISO} (V (RMS))	Revision
140816143400	80	60	$I_F = 5\ mA$ $V_{CE} = 5\ V$	300	600	5000	001.006
Size DIP 4 SLM-Type							
140816144000	80	60	$I_F = 5\ mA$ $V_{CE} = 5\ V$	50	600	5000	001.006
140816144100	80	60	$I_F = 5\ mA$ $V_{CE} = 5\ V$	80	160	5000	001.006
140816144200	80	60	$I_F = 5\ mA$ $V_{CE} = 5\ V$	130	260	5000	001.006
140816144300	80	60	$I_F = 5\ mA$ $V_{CE} = 5\ V$	200	400	5000	001.006
140816144400	80	60	$I_F = 5\ mA$ $V_{CE} = 5\ V$	300	600	5000	001.006

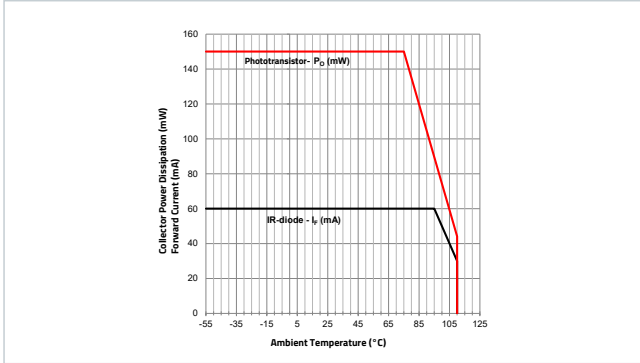
ORDER
SAMPLES

SIMULATE IN
REDEXPERT

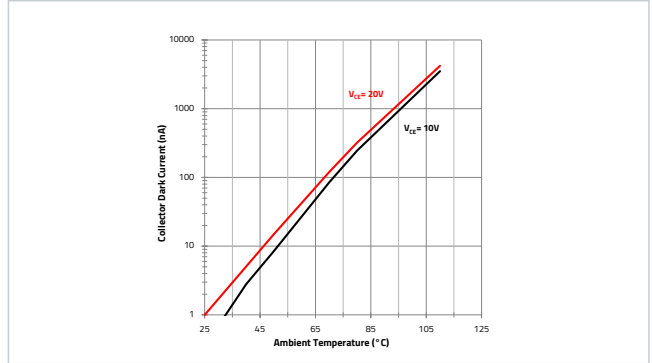


Diagrams

Total Power Dissipation vs. Ambient Temperature:

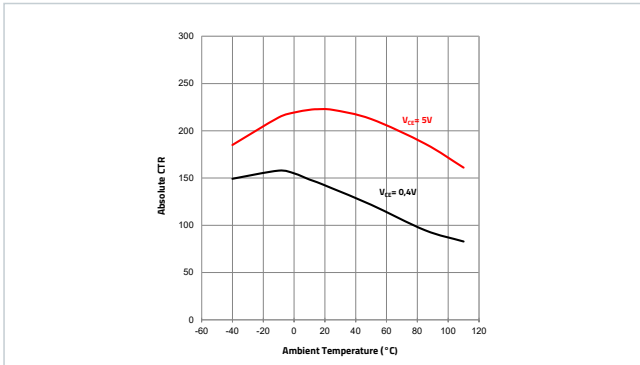


Collector Dark Current vs. Ambient Temperature:



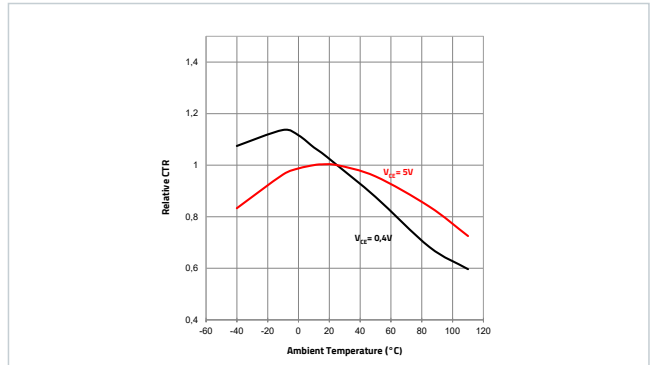
Note: measured with Bin B

Absolute CTR vs. Ambient Temperature:



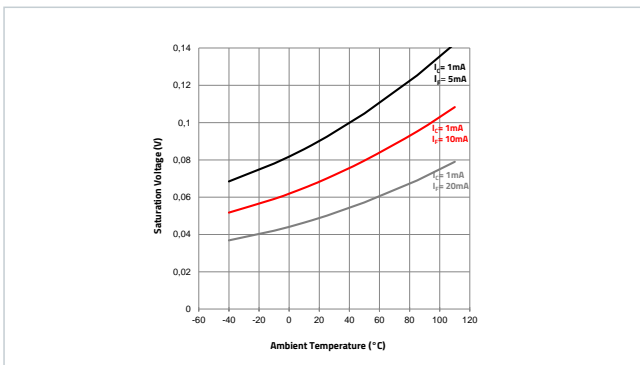
Testcondition: $I_F=5mA$, $T_A=25^\circ C$, Bin B

Relative CTR vs. Ambient Temperature:



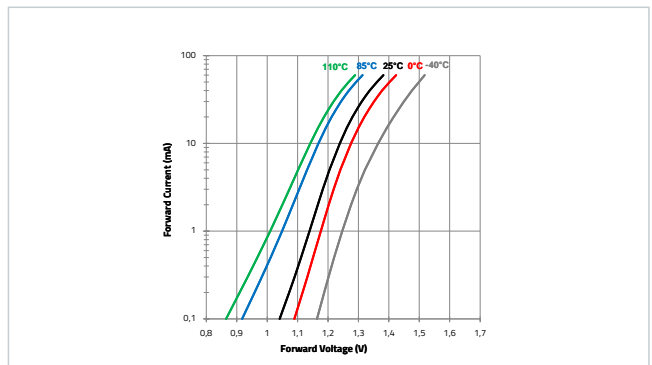
Testcondition: $I_F=5mA$, Normalized to $T_A=25^\circ C$, Bin B

Collector-Emitter Saturation Voltage vs. Ambient Temperature:



Note: Bin B

Forward Current vs. Forward Voltage:



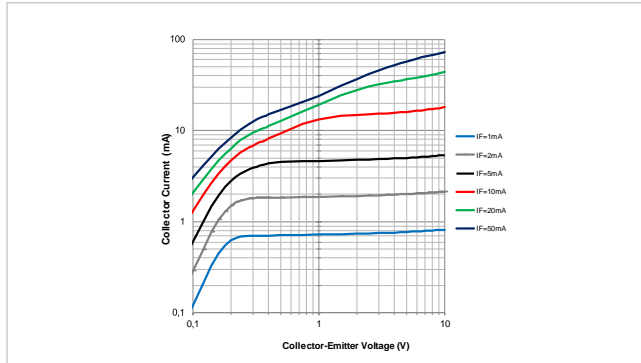
Note: Bin B

ORDER SAMPLES SIMULATE IN REDEXPERT



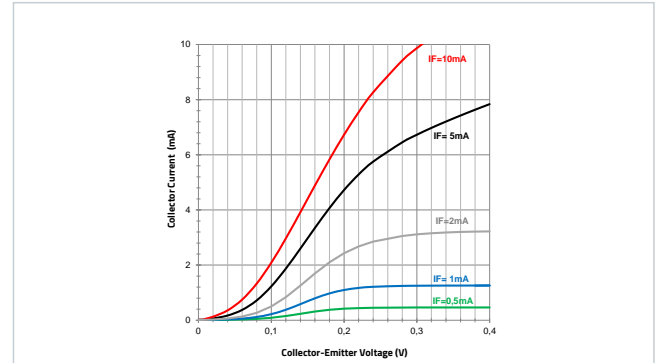
Diagrams

Collector Current vs. Collector-Emitter Voltage:



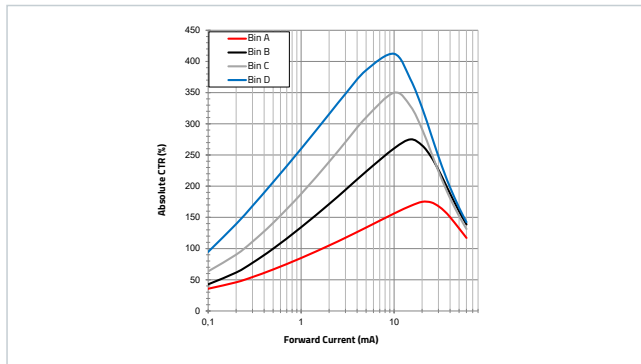
Testcondition $T_A=25^\circ\text{C}$, Bin B

Collector Current vs. Collector-Emitter Voltage, saturated:



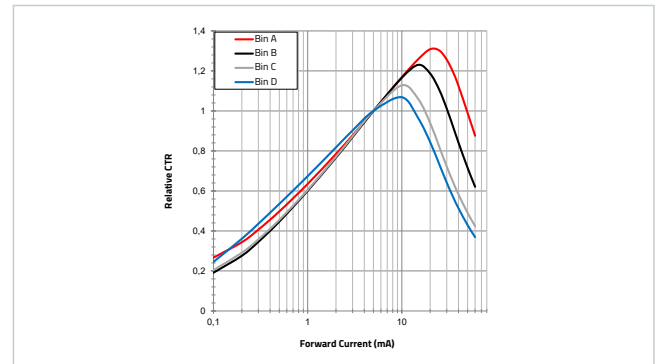
Testcondition $T_A=25^\circ\text{C}$, Bin B

Absolute CTR vs. Forward Current (at VCE=5 V):



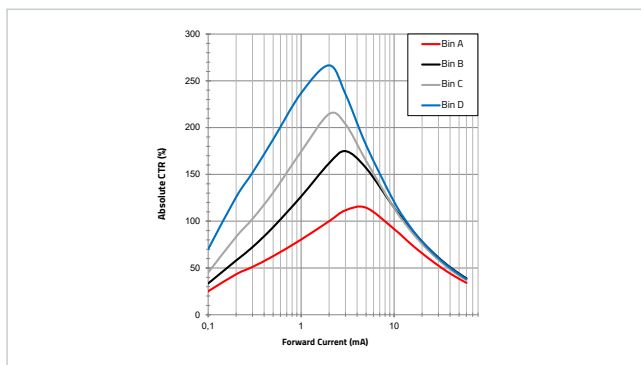
Testcondition $T_A=25^\circ\text{C}$

Relative CTR vs. Forward Current (at VCE=5 V):



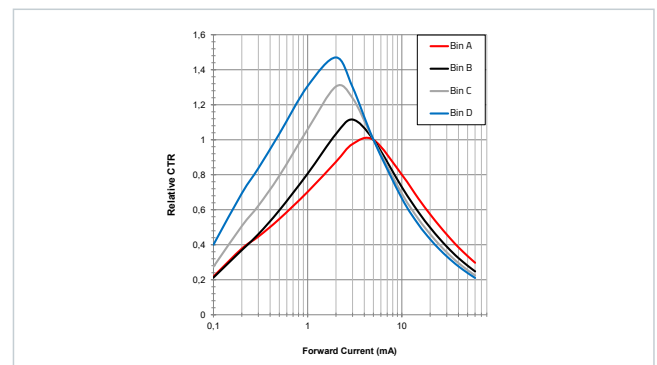
Testcondition $T_A=25^\circ\text{C}$

Absolute CTR vs. Forward Current (at VCE=0,4 V):



Testcondition $T_A=25^\circ\text{C}$

Relative CTR vs. Forward Current (at VCE=0,4 V):



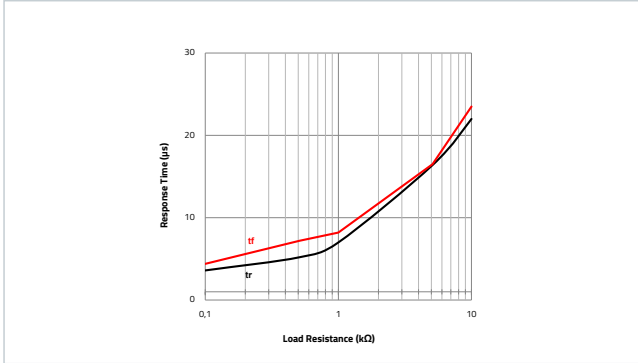
Testcondition $T_A=25^\circ\text{C}$

**ORDER
SAMPLES** **SIMULATE IN
REDEXPERT**



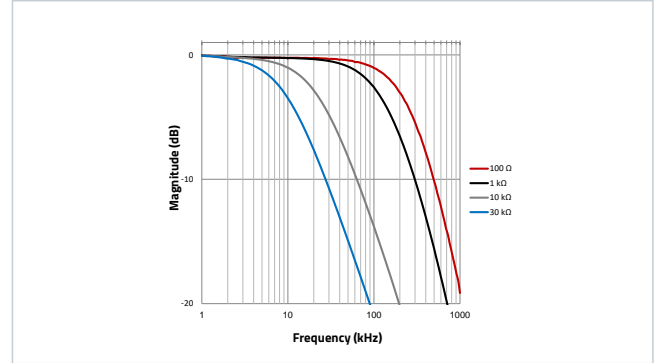
Diagrams

Switching time vs. Load Resistance:



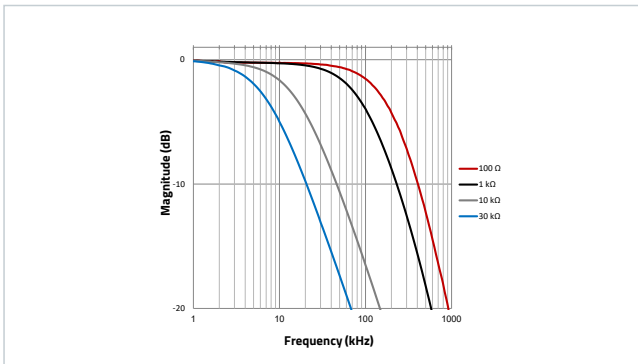
Testcondition $I_C=2\text{mA}$, $V_{CE}=2\text{V}$, $T_A=25^\circ\text{C}$, Bin B

Frequency Response: Bin A



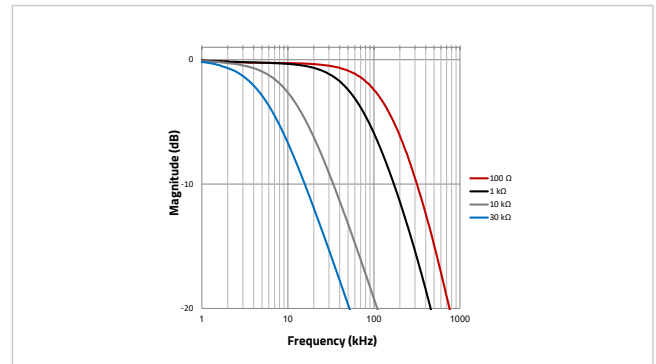
Testcondition $I_C=2\text{mA}$, $V_{CE}=5\text{V}$, $T_A=25^\circ\text{C}$, Bin A

Frequency Response: Bin B



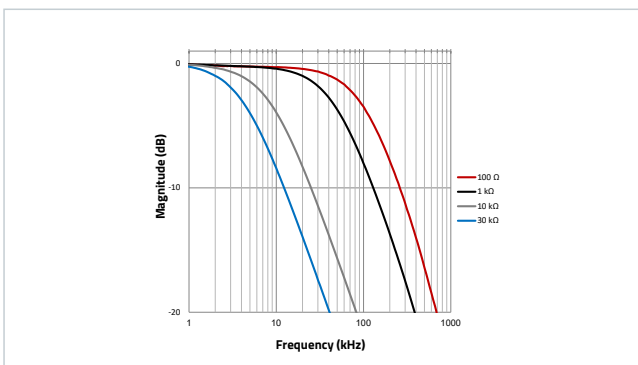
Testcondition $I_C=2\text{mA}$, $V_{CE}=5\text{V}$, $T_A=25^\circ\text{C}$, Bin B

Frequency Response: Bin C



Testcondition $I_C=2\text{mA}$, $V_{CE}=5\text{V}$, $T_A=25^\circ\text{C}$, Bin C

Frequency Response: Bin D



Testcondition $I_C=2\text{mA}$, $V_{CE}=5\text{V}$, $T_A=25^\circ\text{C}$, Bin D

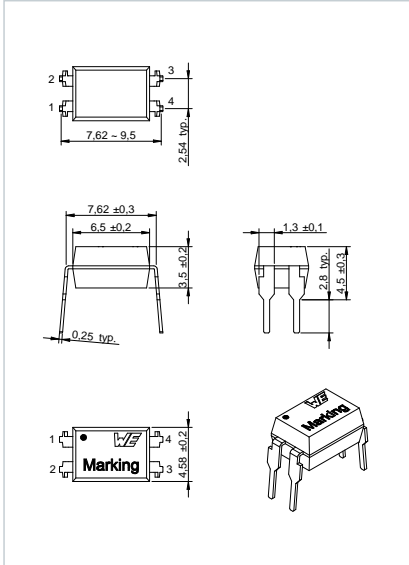
ORDER
SAMPLES

SIMULATE IN
REDEXPERT

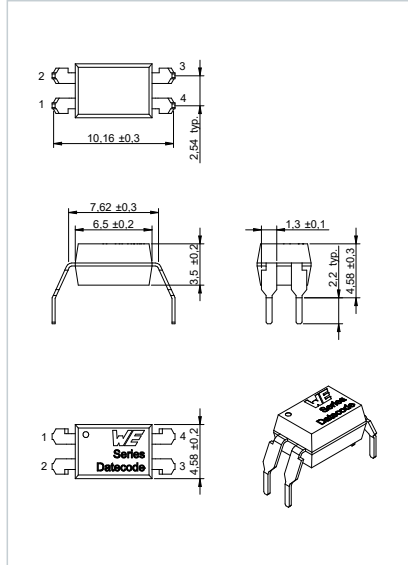


Dimensions

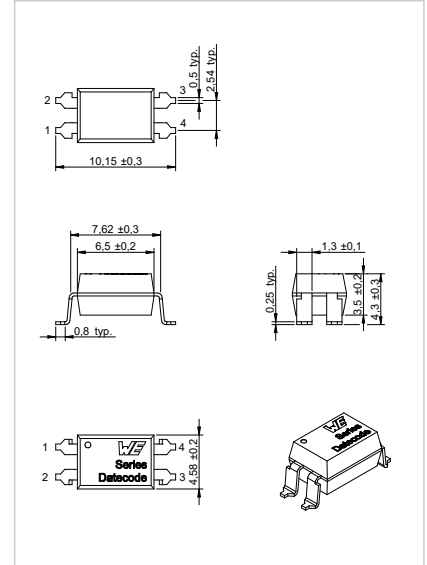
Dimensions Standard: [mm]



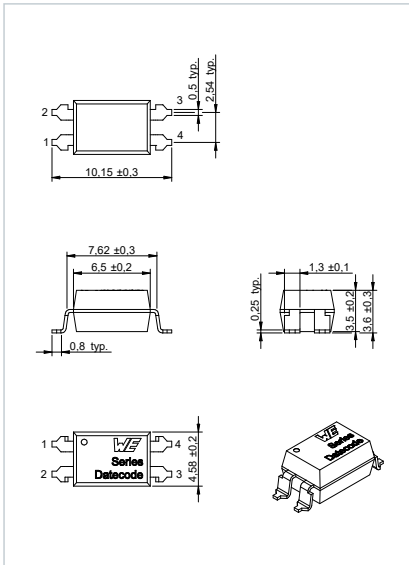
Dimensions M: [mm]



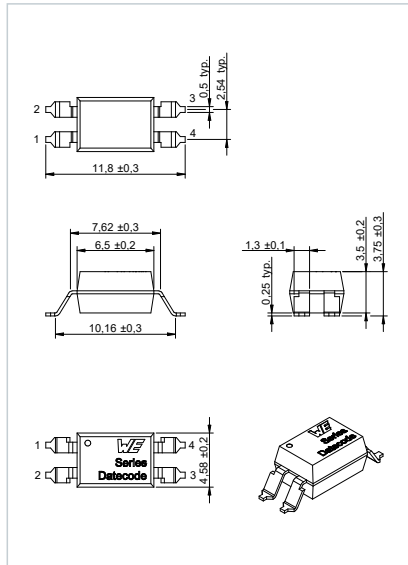
Dimensions S: [mm]



Dimensions SL: [mm]



Dimensions SLM: [mm]



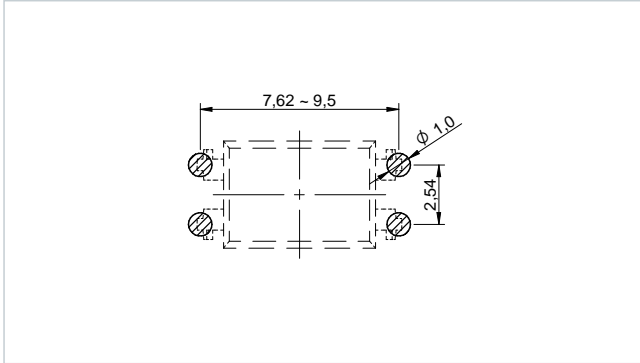
ORDER
SAMPLES

SIMULATE IN
REDEXPERT

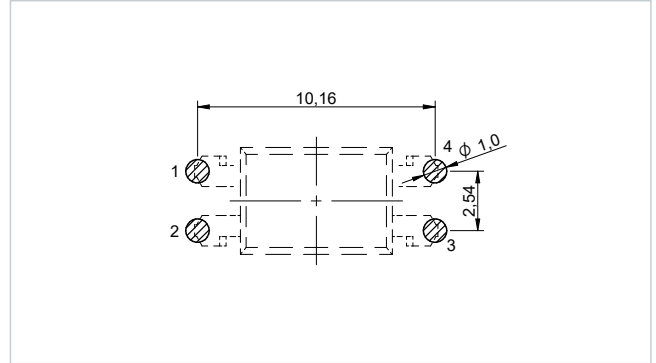


Drawings

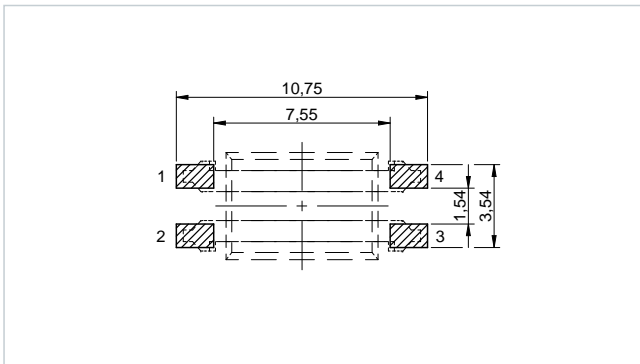
Recommended Hole Pattern Standard: [mm]



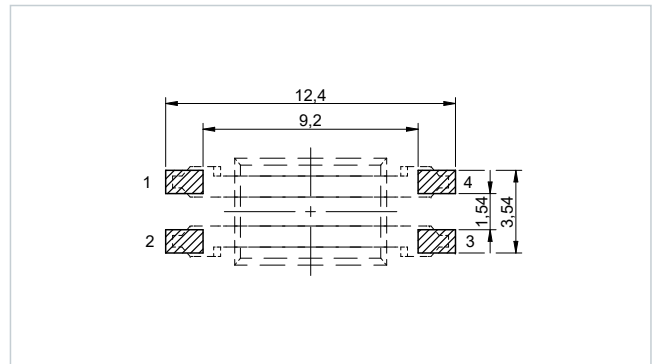
Recommended Hole Pattern M: [mm]



Recommended Land Pattern S / SL: [mm]



Recommended Land Pattern SLM: [mm]



ORDER
SAMPLES

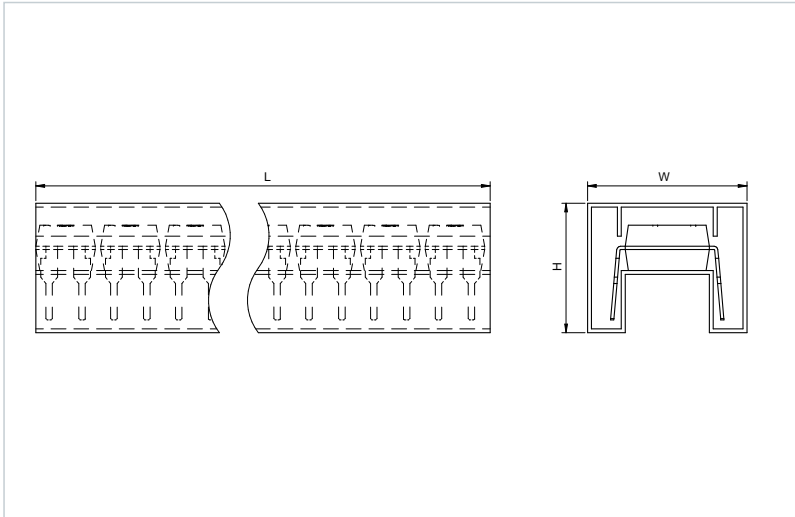
SIMULATE IN
REDEXPERT



Packaging Specification

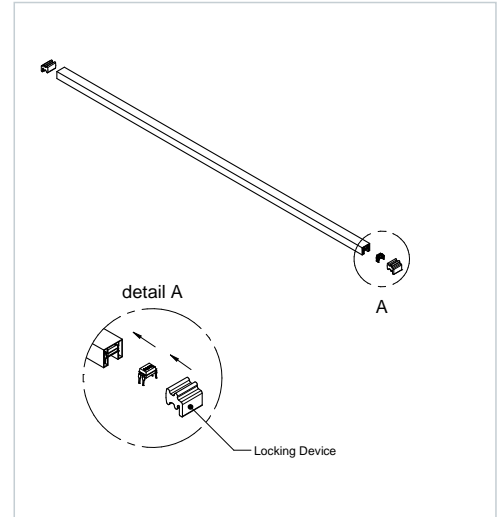
Size DIP 4 Standard-Type

Packaging Specification - Tube: [mm]

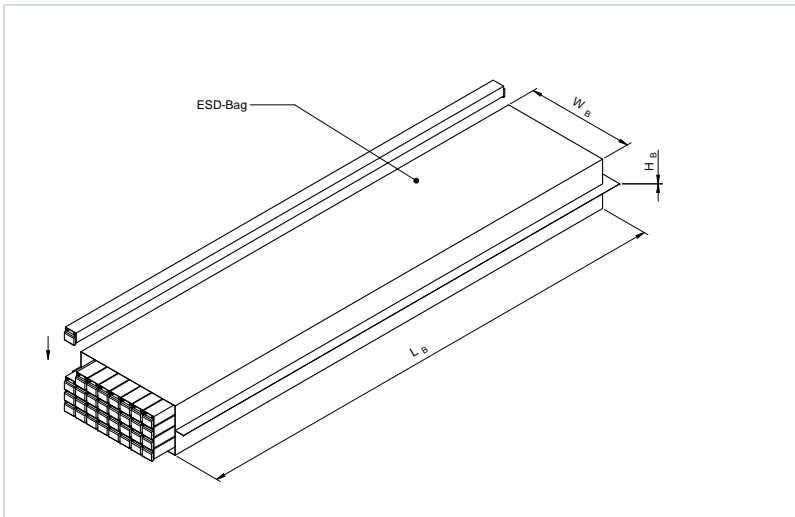


	L (mm)	W (mm)	H (mm)	No. of Locking Device (pcs.)	Qty. (pcs.)	Material
Tolerance	typ.	typ.	typ.			
Value	500,00	12,30	10,00	2	100	PS

Packaging Specification - Tube: [mm]

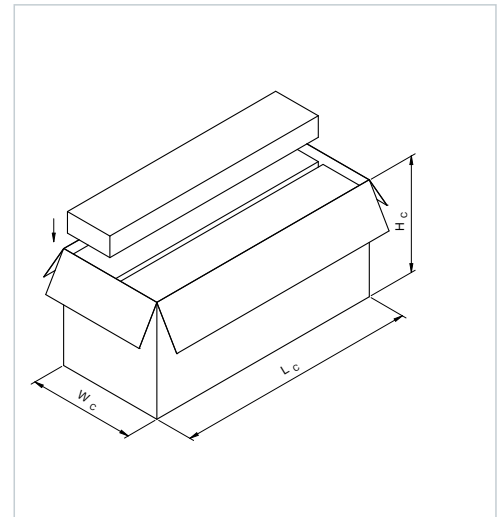


Packaging Specification - Inner Carton: [mm]



	L _b (mm)	W _b (mm)	H _b (mm)	No. of Tube (pcs.)	Qty. (pcs.)
Tolerance	typ.	typ.	typ.		
Value	670,00	200,00	0,075	32	3200

Packaging Specification - Outer Carton: [mm]



	L _c (mm)	W _c (mm)	H _c (mm)	No. of ESD-Bag (pcs.)	Qty. (pcs.)	Material
Tolerance	typ.	typ.	typ.			
Value	535,00	235,00	255,00	10	32000	Paper

ORDER
SAMPLES

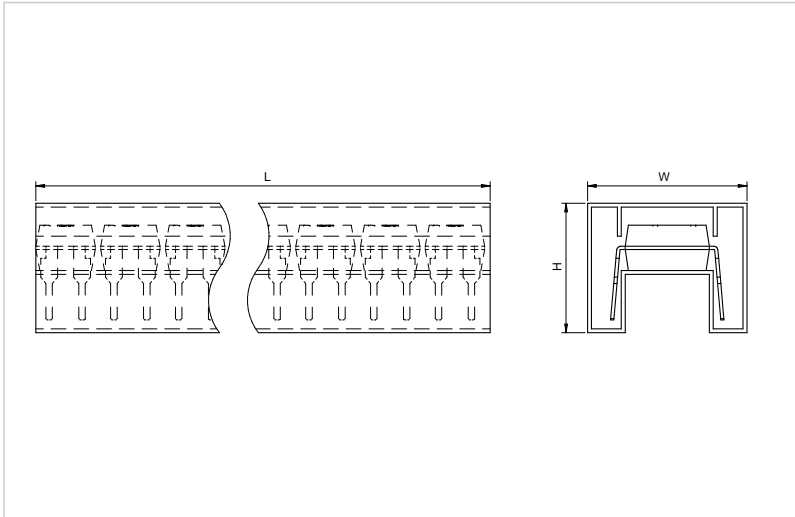
SIMULATE IN
REDEXPERT



Packaging Specification

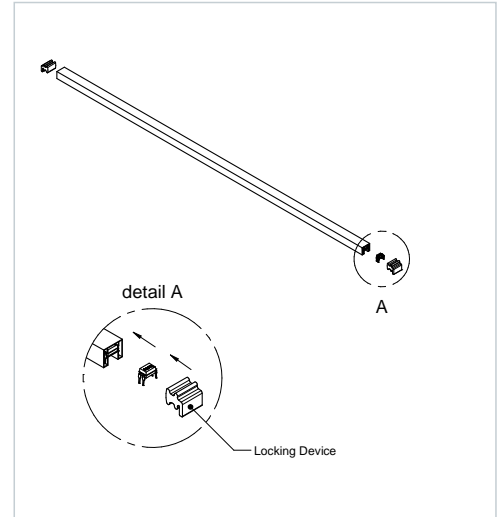
Size DIP 4 M-Type

Packaging Specification - Tube: [mm]

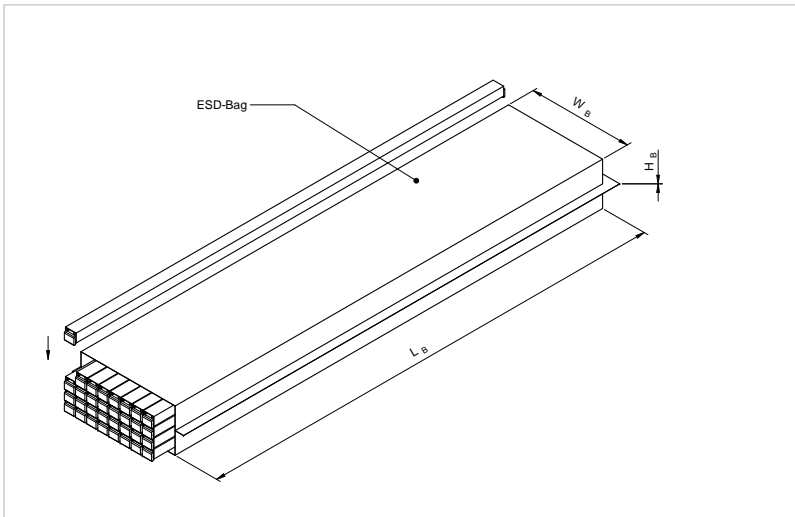


L (mm)	W (mm)	H (mm)	No. of Locking Device (pcs.)	Qty. (pcs.)	Material
typ.	typ.	typ.			
500,00	12,30	10,00	2	100	PS

Packaging Specification - Tube: [mm]

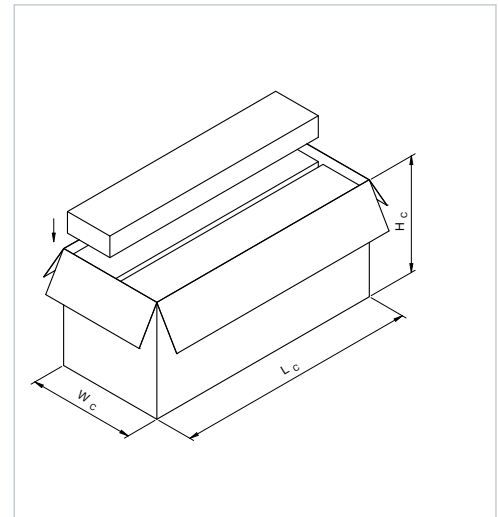


Packaging Specification - Inner Carton: [mm]



L _c (mm)	W _c (mm)	H _c (mm)	No. of Tube (pcs.)	Qty. (pcs.)	Material
typ.	typ.	typ.			
525,00	107,00	47,00	32	3200	Paper

Packaging Specification - Outer Carton: [mm]



L _c (mm)	W _c (mm)	H _c (mm)	No. of Inner Carton (pcs.)	Qty. (pcs.)	Material
typ.	typ.	typ.			
535,00	235,00	255,00	10	32000	Paper

ORDER
SAMPLES

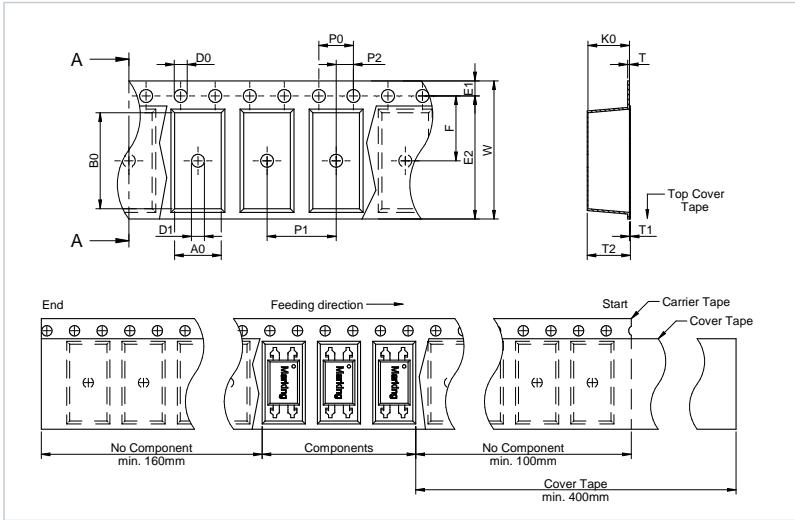
SIMULATE IN
REDEXPERT



Packaging Specification

Size DIP 4 S-Type

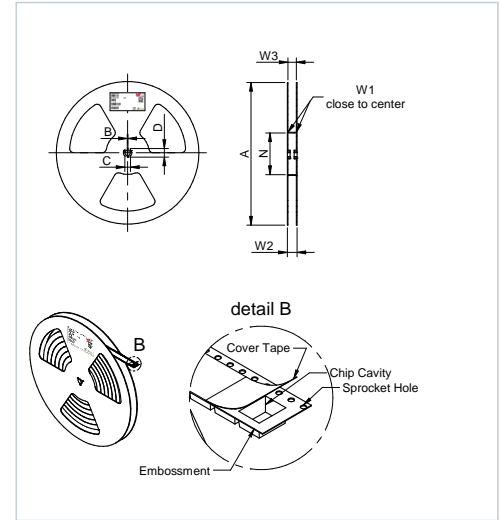
Packaging Specification - Tape: [mm]



Packaging is referred to the international standard IEC 60286-3:2013

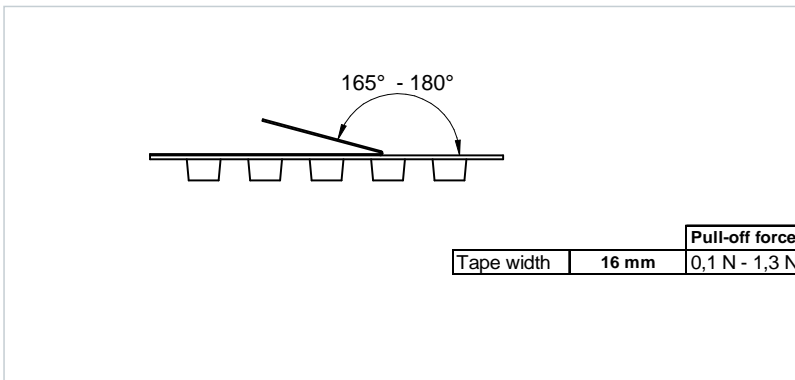
Tape Type	A0 (m-m)	B0 (m-m)	W (mm)	T (m-m)	T1 (m-m)	T2 (m-m)	K0 (m-m)	P0 (m-m)	P1 (m-m)	P2 (m-m)	D0 (mm)	D1 (m-m)	E1 (m-m)	E2 (m-m)	F (m-m)	Material	Qty. (pc-s.)
	typ.	typ.	+0,3/-0,1	ref.	ref.	typ.	typ.	±0,1	±0,1	±0,1	+0,1/-0,0	min.	±0,1	min.	±0,1		
2a	5,00	10-75	16,00	0,40	0,10	5,20	4,80	4,00	8,00	2,00	1,50	1,50	1,75	14-25	7,50	Polystyrene	1500

Packaging Specification - Reel: [mm]



	A (mm)	B (m-m)	C (m-m)	D (m-m)	N (m-m)	W1 (m-m)	W2 (m-m)	W3 (m-m)	W3 (m-m)	Material
Tolerance	± 2,0	typ.	typ.	typ.	typ.	typ.	typ.	min.	max.	
Value	330,00	2,20	13-00	20-90	97-20	16-70	20-70	15-90	19-40	Polystyrene

Pull of Force:



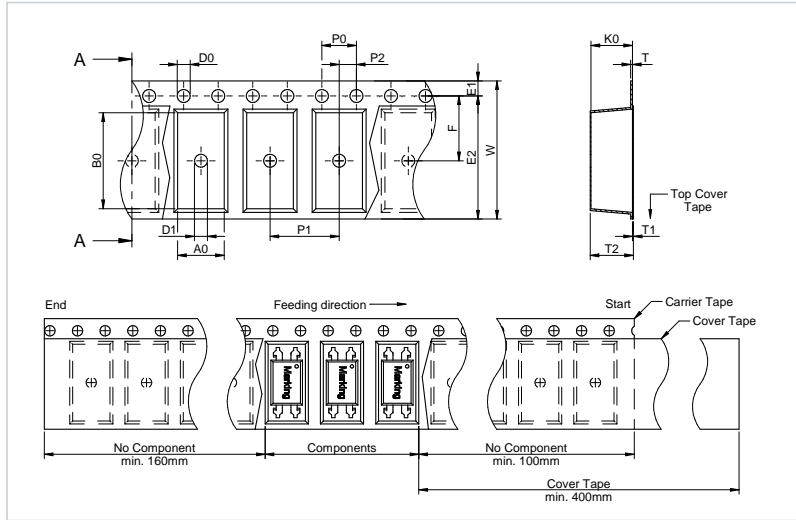
ORDER SAMPLES SIMULATE IN REDEXPERT



Packaging Specification

Size DIP 4 SL-Type

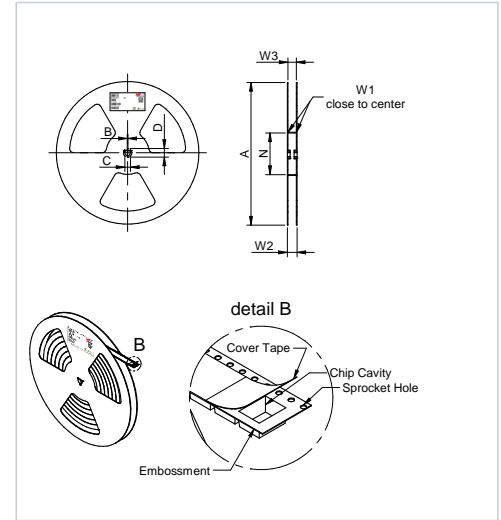
Packaging Specification - Tape: [mm]



Packaging is referred to the international standard IEC 60286-3:2013

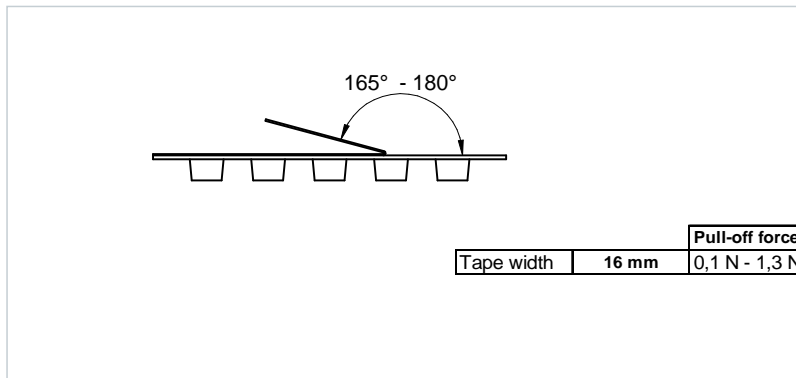
Tape Type	A0 (m-m)	B0 (m-m)	W (mm)	T (m-m)	T1 (m-m)	T2 (m-m)	K0 (m-m)	P0 (m-m)	P1 (m-m)	P2 (m-m)	D0 (mm)	D1 (m-m)	E1 (m-m)	E2 (m-m)	F (m-m)	Material	Qty. (pc-s.)
	typ.	typ.	+0,3/-0,1	ref.	ref.	typ.	typ.	±0,1	±0,1	±0,1	+0,1/-0,0	min.	±0,1	min.	±0,1		
2a	4,70	10-50	16,00	0,40	0,10	4,60	4,20	4,00	8,00	2,00	1,50	1,50	1,75	14,-25	7,50	Polystyrene	1500

Packaging Specification - Reel: [mm]



A (mm)	B (mm)	C (mm)	D (mm)	N (mm)	W1 (mm)	W2 (mm)	W3 (mm)	W3 (mm)	Material
± 2,0	min.	min.	min.	min.	+ 2,0	max.	min.	max.	
330,00	1,50	12,80	20,20	60,00	16,40	22,40	15,90	19,40	Polystyrene

Pull of Force:



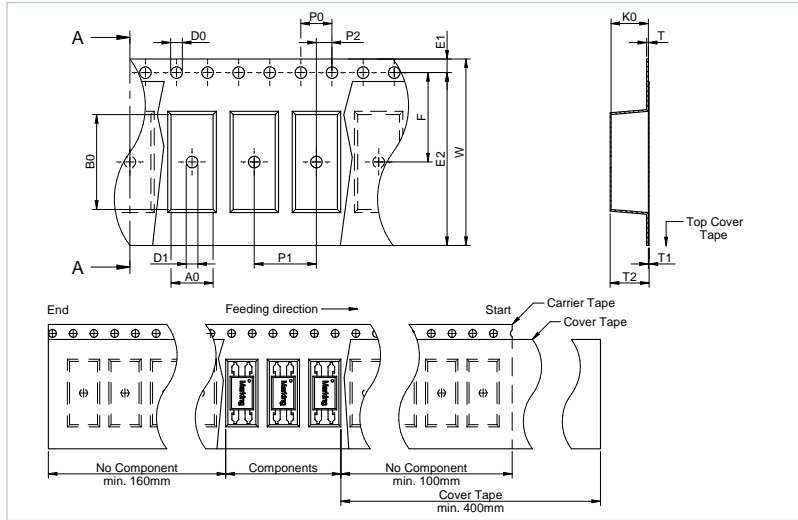
ORDER SAMPLES SIMULATE IN REDEXPERT



Packaging Specification

Size DIP 4 SLM-Type

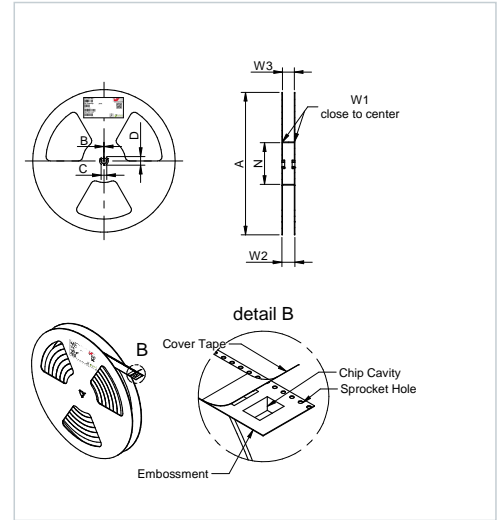
Packaging Specification - Tape: [mm]



Packaging is referred to the international standard IEC 60286-3:2013

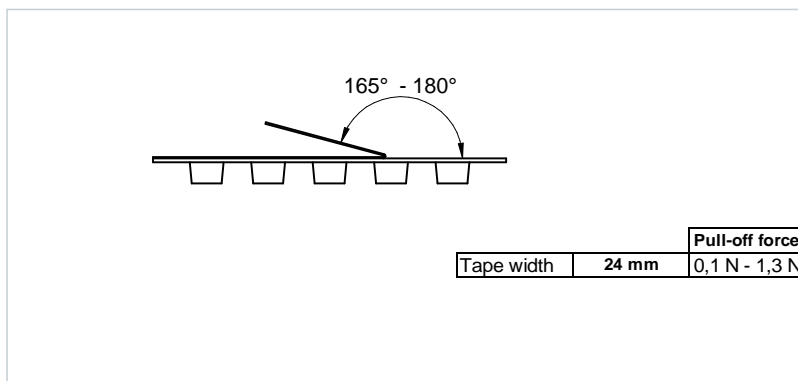
Tape Type	A0 (m-m)	B0 (m-m)	W (mm)	T (m-m)	T1 (m-m)	T2 (m-m)	K0 (m-m)	P0 (m-m)	P1 (m-m)	P2 (m-m)	D0 (mm)	D1 (m-m)	E1 (m-m)	E2 (m-m)	F (m-m)	Material	Qty. (pc-s.)
	typ.	typ.	+0,3/-0,1	ref.	ref.	typ.	typ.	±0,1	±0,1	±0,1	+0,1/-0,0	min.	±0,1	min.	±0,1		
2a	5,00	12,2	24,00	0,4	0,10	4,65	4,25	4,00	8,00	2,00	1,50	1,50	1,75	22-25	11-50	Polystyrene	1500

Packaging Specification - Reel: [mm]



	A (mm)	B (m-m)	C (m-m)	D (m-m)	N (m-m)	W1 (m-m)	W2 (m-m)	W3 (m-m)	W3 (m-m)	Material
Tolerance	± 2,0	typ.	typ.	typ.	typ.	typ.	typ.	min.	max.	
Value	330,00	2,20	13,00	20-70	97-20	24-20	28-20	23-90	27-40	Polystyrene

Pull of Force:



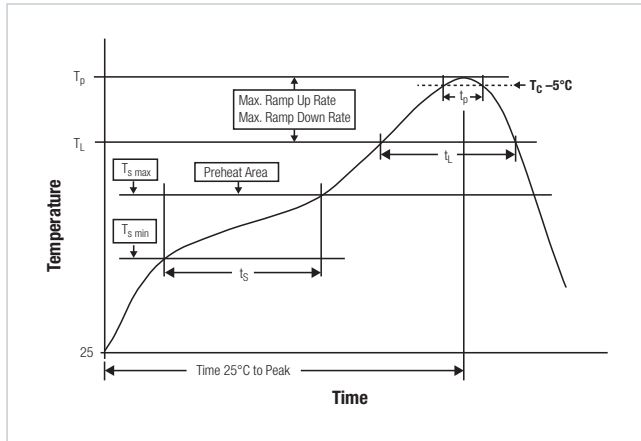
ORDER SAMPLES **SIMULATE IN REDEXPERT**



Soldering Profile

Size DIP 4 S-Type, DIP 4 SL-Type, DIP 4 SLM-Type

Classification Reflow Profile for SMT components:



Classification Reflow Soldering Profile:

Profile Feature		Value
Preheat Temperature Min	$T_{s \text{ min}}$	150 °C
Preheat Temperature Max	$T_{s \text{ max}}$	200 °C
Preheat Time t_s from $T_{s \text{ min}}$ to $T_{s \text{ max}}$	t_s	max. 60 - 120 seconds
Ramp-up Rate (T_L to T_p)		3 °C/ second max.
Liquidous Temperature	T_L	217 °C
Time t_L maintained above T_L	t_L	max. 60 seconds
Peak package body temperature	T_p	$T_p \leq T_c$, see Table below
Time within 5 °C of actual peak temperature	t_p	max. 10 seconds
Ramp-down Rate (T_p to T_L)		6 °C/ second max.
Time 25 °C to peak temperature		max. 220 seconds

refer to IPC/ JEDEC J-STD-020E

Package Classification Reflow Temperature (T_c):

Properties	Volume mm ³ <350	Volume mm ³ 350-2000	Volume mm ³ >2000
PB-Free Assembly Package Thickness < 1.6 mm	260 °C	260 °C	260 °C
PB-Free Assembly Package Thickness 1.6 mm - 2.5 mm	260 °C	250 °C	245 °C
PB-Free Assembly Package Thickness > 2.5 mm	250 °C	245 °C	245 °C
Applied cycles	2 cycles max.		

refer to IPC/ JEDEC J-STD-020E

ORDER
SAMPLES

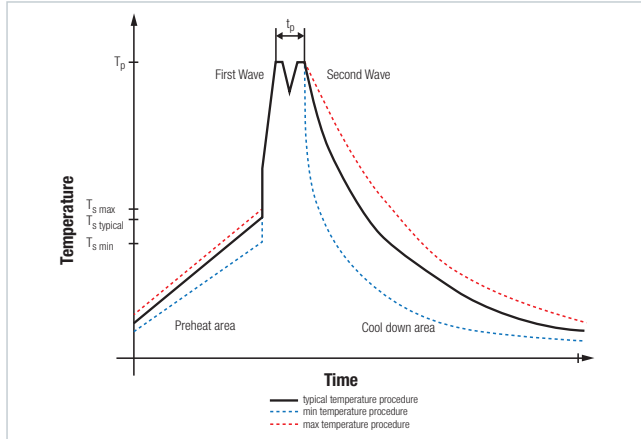
SIMULATE IN
REDEXPERT



Soldering Profile

Size DIP 4 Standard-Type, DIP 4 M-Type

Classification Wave Soldering Profile:



Classification Wave Soldering Profile:

Profile Feature		Pb-Free Assembly	Sn-Pb Assembly
Preheat Temperature Min	$T_{s \text{ min}}$	100 °C	100 °C
Preheat Temperature Typical	$T_{s \text{ typical}}$	120 °C	120 °C
Preheat Temperature Max	$T_{s \text{ max}}$	130 °C	130 °C
Preheat Time t_s from $T_{s \text{ min}}$ to $T_{s \text{ max}}$	t_s	70 seconds	70 seconds
Ramp-up Rate	ΔT	150 °C max.	150 °C max.
Peak Temperature	T_p	245 °C - 260 °C	235 °C - 260 °C
Time of actual peak temperature	t_p	5-8 seconds max.	3-6 seconds max.
Ramp-down Rate, Min		~ 2 K/ second	~ 2 K/ second
Ramp-down Rate, Typical		~ 3.5 K/ second	~ 3.5 K/ second
Ramp-down Rate, Max		~ 5 K/ second	~ 5 K/ second
Time 25 °C to 25 °C		4 minutes	4 minutes
Applied cycles		1 cycle max.	

refer to EN61760-1:2006

ORDER
SAMPLES

SIMULATE IN
REDEXPERT



Cautions and Warnings:

The following conditions apply to all goods within the product series of Optoelectronic Components of Würth Elektronik eiSos GmbH & Co. KG:

General:

- This optoelectronic component is designed and manufactured for use in general electronic equipment.
- Würth Elektronik must be asked for written approval (following the PPAP procedure) before incorporating the components into any equipment in fields such as military, aerospace, aviation, nuclear control, submarine, transportation (automotive control, train control, ship control), transportation signal, disaster prevention, medical, public information network, etc. where higher safety and reliability are especially required and/or if there is the possibility of direct damage or human injury.
- Optoelectronic components that will be used in safety-critical or high-reliability applications, should be pre-evaluated by the customer.
- The optoelectronic component is designed and manufactured to be used within the datasheet specified values. If the usage and operation conditions specified in the datasheet are not met, the wire insulation may be damaged or dissolved.
- Do not drop or impact the components, the component may be damaged
- Würth Elektronik products are qualified according to international standards, which are listed in each product reliability report. Würth Elektronik does not warrant any customer qualified product characteristics beyond Würth Elektronik's specifications, for its validity and sustainability over time.
- The responsibility for the applicability of the customer specific products and use in a particular customer design is always within the authority of the customer. All technical specifications for standard products also apply to customer specific products.
- Unless Würth Elektronik has given its express consent, the customer is under no circumstances entitled to reverse engineer, disassemble or otherwise attempt to extract knowledge or design information from the optoelectronic component.

Product specific:

Soldering:

- The solder profile must comply with the technical product specifications. All other profiles will void the warranty.
- All other soldering methods are at the customers' own risk
- The soldering pad pattern shown above is a general recommendation for the easy assembly of optoelectronic components. If a high degree of precision is required for the selected application (i.e. high density assembly), the customer must ensure that the soldering pad pattern is optimized accordingly.

Cleaning and Washing:

- Washing agents used during the production to clean the customer application might damage or change the characteristics of the optoelectronic component body, marking or plating. Washing agents may have a negative effect on the long-term functionality of the product.
- Using a brush during the cleaning process may break the optoelectronic component body. Therefore, we do not recommend using a brush during the PCB cleaning process.

Potting:

- If the product is potted in the customer application, the potting material might shrink or expand during and after hardening. Shrinking could lead to an incomplete seal, allowing contaminants into the optoelectronic component body, pins or termination. Expansion could damage the components. We recommend a manual inspection after potting to avoid these effects.

Storage Conditions:

- A storage of Würth Elektronik products for longer than 12 months is not recommended. Within other effects, the terminals may suffer degradation, resulting in bad solderability. Therefore, all products shall be used within the period of 12 months based on the day of shipment.
- Do not expose the optoelectronic component to direct sunlight.
- The storage conditions in the original packaging are defined according to DIN EN 61760-2.
- For a moisture sensitive component, the storage condition in the original packaging is defined according to IPC/JEDEC-J-STD-033. It is also recommended to return the optoelectronic component to the original moisture proof bag and reseal the moisture proof bag again.
- The storage conditions stated in the original packaging apply to the storage time and not to the transportation time of the components.

Packaging:

- The packaging specifications apply only to purchase orders comprising whole packaging units. If the ordered quantity exceeds or is lower than the specified packaging unit, packaging in accordance with the packaging specifications cannot be ensured.

Handling:

- Violation of the technical product specifications such as exceeding the nominal rated current, will void the warranty.
- The product design may influence the automatic optical inspection.
- Certain optoelectronic component surfaces consist of soft material. Pressure on the top surface has to be handled carefully to prevent negative influence to the function and reliability of the optoelectronic components.
- ESD prevention methods need to be applied for manual handling and processing by machinery.
- Resistors for protection are obligatory.
- In addition to optoelectronic components testing, products incorporating these devices have to comply with the safety precautions given in IEC 60825-1, IEC 62471 and IEC 62778.

Technical specification:

- The typical and/or calculated values and graphics of technical parameters can only reflect statistical figures. The actual parameters of each single product, may differ from the typical and/or calculated values or the typical characteristic line.
- In the characteristics curves, all values given in dotted lines may show a higher deviation than the parameters mentioned above.

ORDER
SAMPLES

SIMULATE IN
REDEXPERT



Cautions and Warnings:

- On each reel, only one bin is sorted and taped. The bin is defined on the current transfer ratio.
- In order to ensure highest availability, the reel binning of standard deliveries can vary. A single bin cannot be ordered. Please contact us in advance, if you need a particular bin sorting before placing your order.
- These cautions and warnings comply with the state of the scientific and technical knowledge and are believed to be accurate and reliable. However, no responsibility is assumed for inaccuracies or incompleteness.

The customer has the sole responsibility to ensure that he uses the latest version of this datasheet, which is available on Würth Elektronik's homepage. Unless otherwise agreed in writing (i.e. customer specific specification), changes to the content of this datasheet may occur without notice, provided that the changes do not have a significant effect on the usability of the optoelectronic components.

**ORDER
SAMPLES**

**SIMULATE IN
REDEXPERT**



Important Notes

The following conditions apply to all goods within the product range of Würth Elektronik eiSos GmbH & Co. KG:

1. General Customer Responsibility

Some goods within the product range of Würth Elektronik eiSos GmbH & Co. KG contain statements regarding general suitability for certain application areas. These statements about suitability are based on our knowledge and experience of typical requirements concerning the areas, serve as general guidance and cannot be estimated as binding statements about the suitability for a customer application. The responsibility for the applicability and use in a particular customer design is always solely within the authority of the customer. Due to this fact it is up to the customer to evaluate, where appropriate to investigate and decide whether the device with the specific product characteristics described in the product specification is valid and suitable for the respective customer application or not.

2. Customer Responsibility related to Specific, in particular Safety-Relevant Applications

It has to be clearly pointed out that the possibility of a malfunction of electronic components or failure before the end of the usual lifetime cannot be completely eliminated in the current state of the art, even if the products are operated within the range of the specifications. In certain customer applications requiring a very high level of safety and especially in customer applications in which the malfunction or failure of an electronic component could endanger human life or health it must be ensured by most advanced technological aid of suitable design of the customer application that no injury or damage is caused to third parties in the event of malfunction or failure of an electronic component. Therefore, customer is cautioned to verify that data sheets are current before placing orders. The current data sheets can be downloaded at www.we-online.com.

3. Best Care and Attention

Any product-specific notes, cautions and warnings must be strictly observed. Any disregard will result in the loss of warranty.

4. Customer Support for Product Specifications

Some products within the product range may contain substances which are subject to restrictions in certain jurisdictions in order to serve specific technical requirements. Necessary information is available on request. In this case the field sales engineer or the internal sales person in charge should be contacted who will be happy to support in this matter.

5. Product R&D

Due to constant product improvement product specifications may change from time to time. As a standard reporting procedure of the Product Change Notification (PCN) according to the JEDEC-Standard inform about minor and major changes. In case of further queries regarding the PCN, the field sales engineer or the internal sales person in charge should be contacted. The basic responsibility of the customer as per Section 1 and 2 remains unaffected.

6. Product Life Cycle

Due to technical progress and economical evaluation we also reserve the right to discontinue production and delivery of products. As a standard reporting procedure of the Product Termination Notification (PTN) according to the JEDEC-Standard we will inform at an early stage about inevitable product discontinuance. According to this we cannot guarantee that all products within our product range will always be available. Therefore it needs to be verified with the field sales engineer or the internal

sales person in charge about the current product availability expectancy before or when the product for application design-in disposal is considered. The approach named above does not apply in the case of individual agreements deviating from the foregoing for customer-specific products.

7. Property Rights

All the rights for contractual products produced by Würth Elektronik eiSos GmbH & Co. KG on the basis of ideas, development contracts as well as models or templates that are subject to copyright, patent or commercial protection supplied to the customer will remain with Würth Elektronik eiSos GmbH & Co. KG. Würth Elektronik eiSos GmbH & Co. KG does not warrant or represent that any license, either expressed or implied, is granted under any patent right, copyright, mask work right, or other intellectual property right relating to any combination, application, or process in which Würth Elektronik eiSos GmbH & Co. KG components or services are used.

8. General Terms and Conditions

Unless otherwise agreed in individual contracts, all orders are subject to the current version of the "General Terms and Conditions of Würth Elektronik eiSos Group", last version available at www.we-online.com.

ORDER
SAMPLES

SIMULATE IN
REDEXPERT

