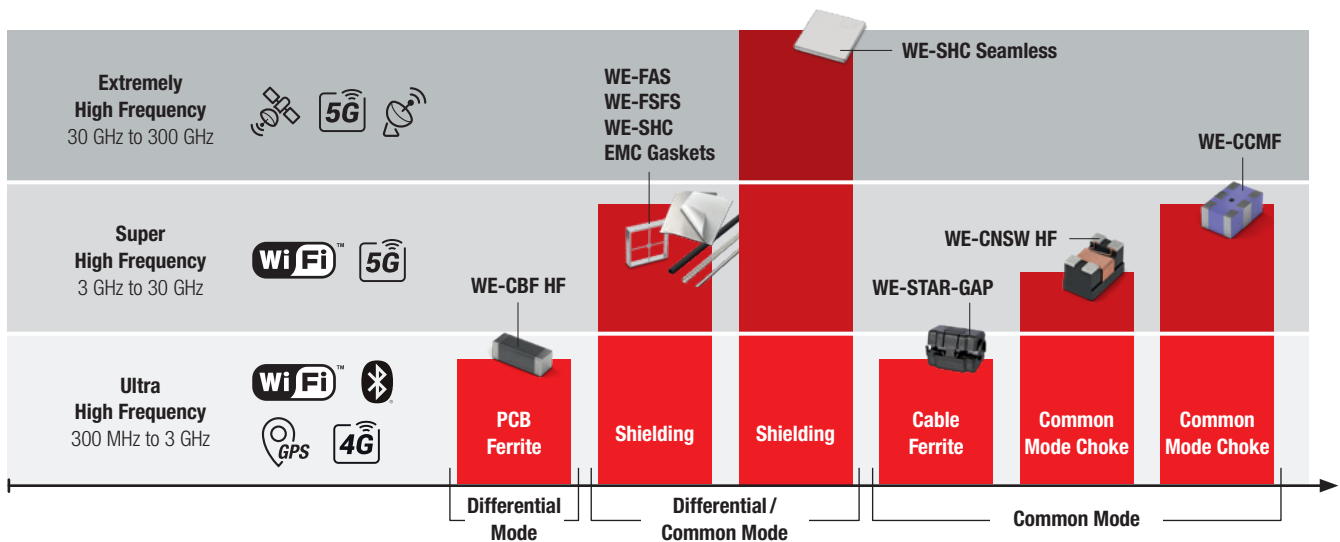


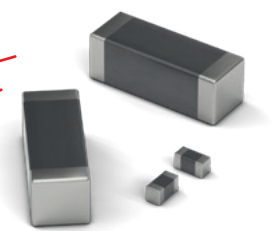
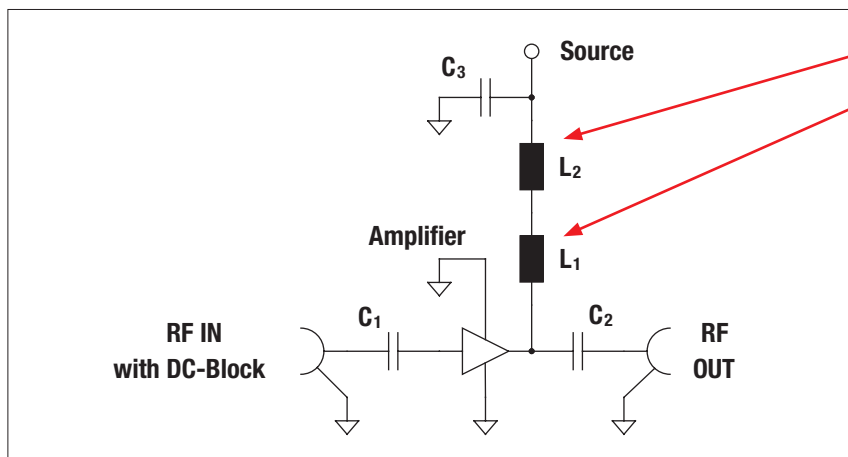
Technology is advancing at a tremendous rate and the next generation of devices are also shifting towards wireless applications. The movement towards higher frequency, into the gigahertz range has begun. We support you to find the right components for your HF application.

Our High Frequency Components for your Application



The Magic of High Frequency SMT Chip Bead Ferrites

Broadband amplifier 5 MHz – 5 GHz



Use our WE-CBF HF to reproduce a wide range of signals with low noise.

Your advantages:

- Wide frequency range
- Stable input and output impedances
- Effective decoupling of the supply voltage



Check out the App Note for more details
www.we-online.com/anp045