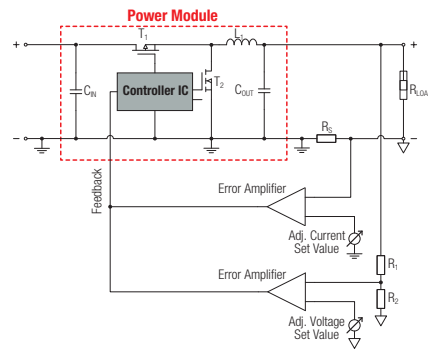


# All you need in one package – MagI<sup>3</sup>C Power Modules

**MagI<sup>3</sup>C Power Modules** are easy to use DC/DC converters with integrated regulator IC, power inductor and capacitors. Design and layout reviews as well as support with EMC filter design are offered as a service for all customers. Datasheets contain detailed specifications and application information.

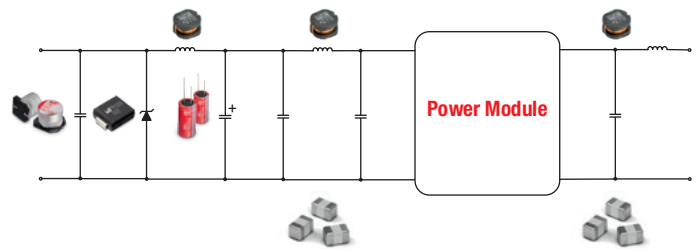
## Design-In Support

- Product related & application specific support by hotline
- Troubleshooting and individual design solutions



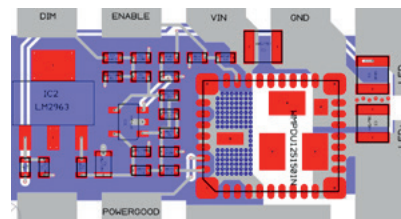
## EMC Filter Design Support

- Solution for conducted & radiated emissions
- Tested filter configurations for EN55032 / CISPR-32 class compliance with inductor & capacitor order codes
- EMI filter EN55032 / CISPR-32 class B compliance
- Real EMI behavior shown on **REDEXPERT**
- Gain and phase response of EMI filter shown on **REDEXPERT**



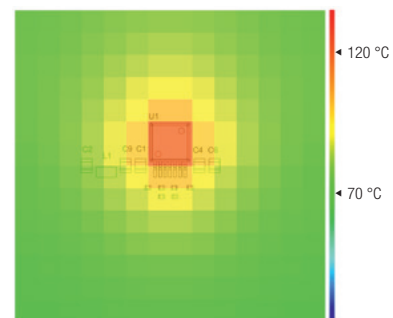
## Layout Review Support

- Individual review of customer layouts
- Reference layout included in every datasheet



## Thermal Design Support

- Thermal behavior of power modules shown on **REDEXPERT**
- Simulation of temperature distribution on PCB
- Module temperature versus PCB area
- Interactive power loss chart on **REDEXPERT**



Get in contact with our Service Hotline:  
[powermodules@we-online.com](mailto:powermodules@we-online.com)

