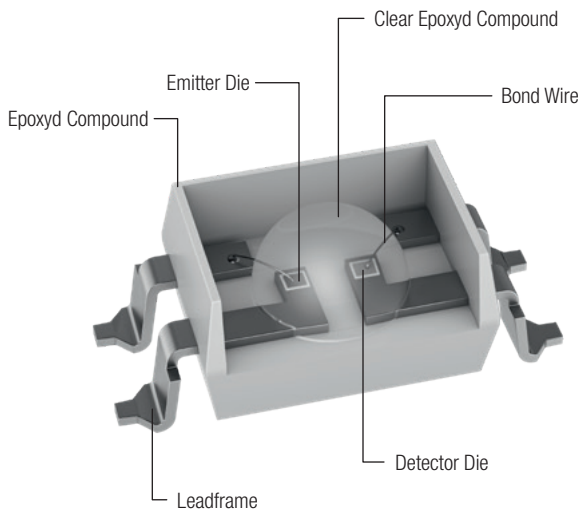


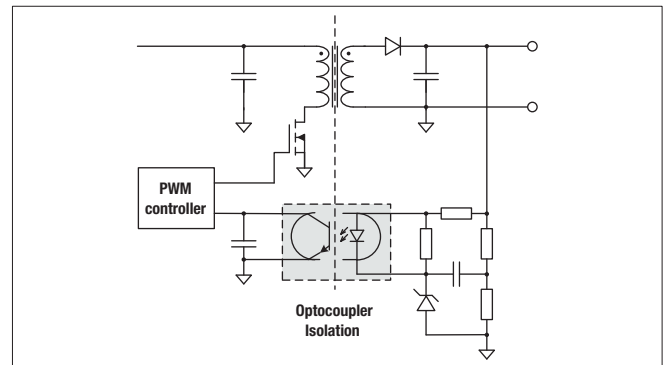
Optocoupler



Benefits of optocoupler

- Protect your application against overvoltage
- Isolation of persons from dangerous electrical installations
- Isolation of electrical systems
- Separation of low power control circuits from high power circuits

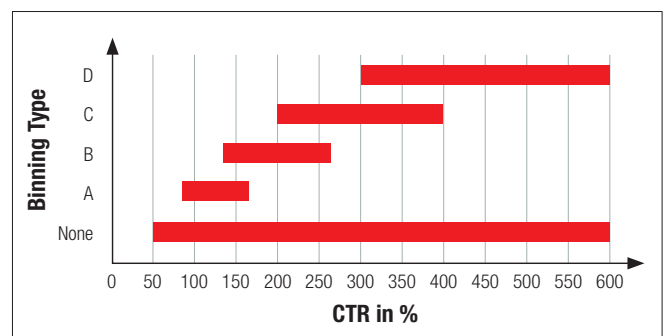
Application Example



Package type	Standard	M-Type	S-Type	SL-Type	SLM-Type
Mechanical dimensions					
Max. Isolation Voltage – 5kV	✓	✓	✓	✓	✓



All package types available with 5 different binnings. All packages and binning ex stock.



More information about WL-OCPT:
www.we-online.com/wl-ocpt

