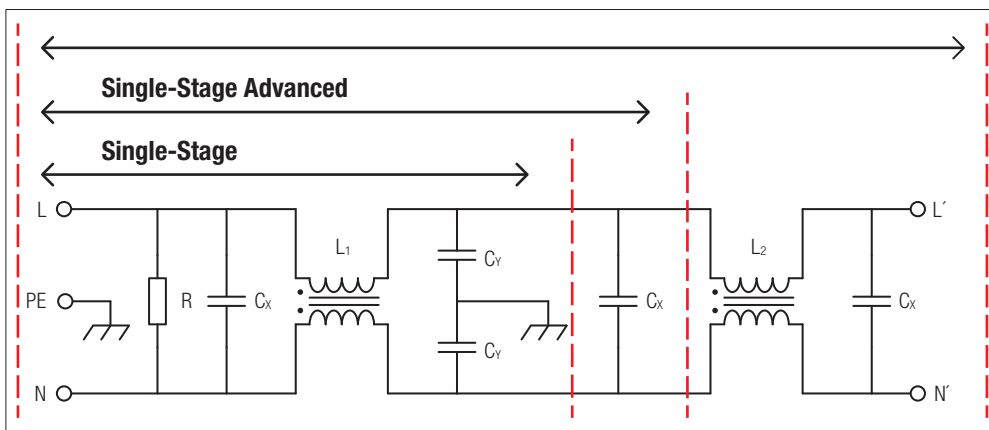
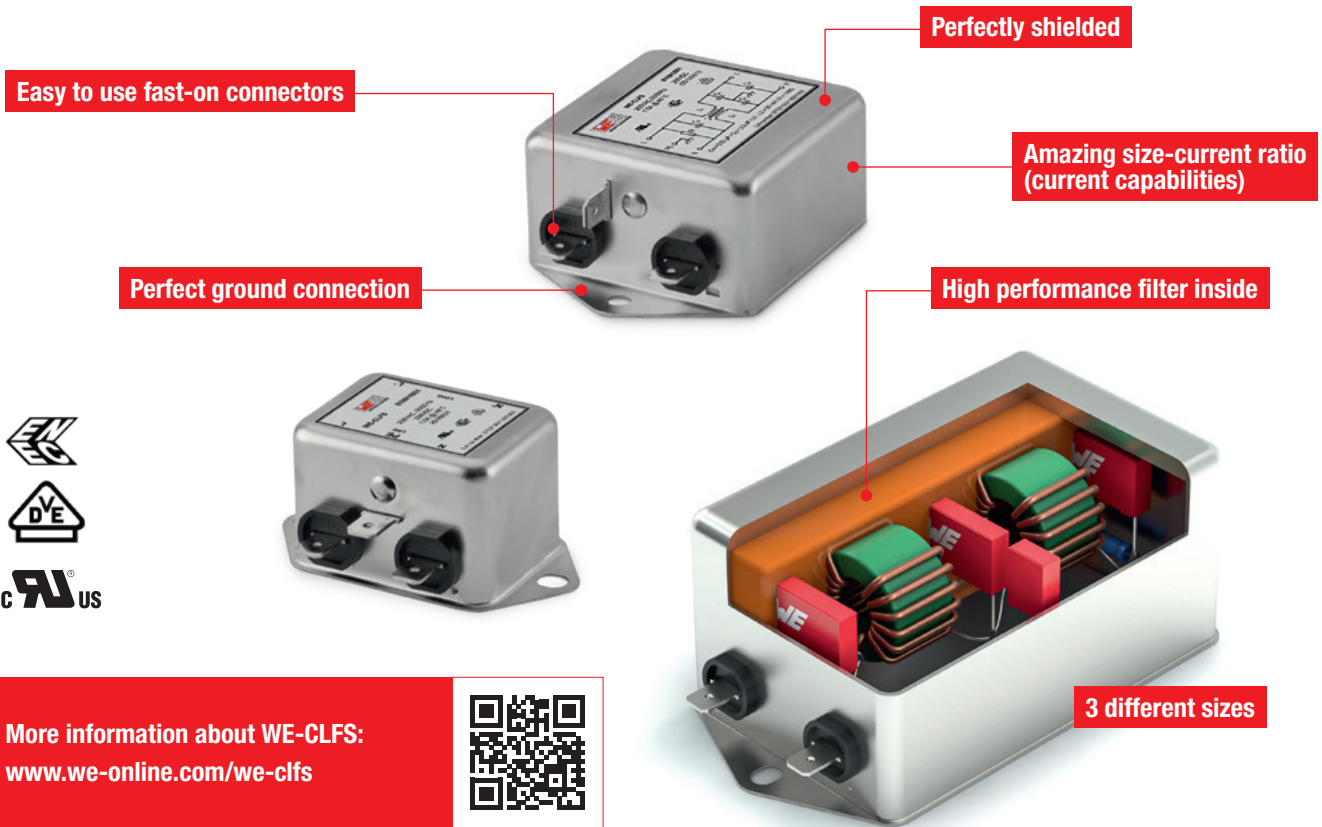


EMC Filters



Discharge Resistor R:

Discharge of capacitors.
 Important safety standards

Common Mode Choke L:

High common and partly differential mode attenuation, without deriving any leakage current to ground

X-Capacitor C_x :

Increase the differential mode attenuation

Y-Capacitor C_y :

Strongly increases common and partly differential mode attenuation, driving some leakage current to ground

Additionally available

Spice models → Real simulation due to measured data (s-parameter)
 not a simulation of the single components

