

Description

- LVPECL output crystal oscillator using a high frequency fundamental crystal to give very low jitter. Hermetically sealed ceramic package with a seam sealed metal lid.
- Model IQXO-623
- Model Issue number 4

Frequency Parameters

- Frequency 156.250MHz
- Frequency Stability $\pm 50.00\text{ppm}$
- Operating Temperature Range -40.00 to 105.00°C
- Ageing $\pm 3\text{ppm}$ max per year @ 25°C

Electrical Parameters

- Supply Voltage $2.5\text{V} \pm 5\%$
- Current Draw 50.000mA max

Output Details

- Output Compatibility LVPECL
- Drive Capability 50Ω terminated to $V_s - 2.0\text{V}$
- Rise and Fall Time 0.5ns max
- Duty Cycle $45/55\%$ max
- Output Voltage Levels:
Output Low (VoL): 1.095V max
Output High (VoH): 1.475V min

Output Control

- Standby Operation:
Logic '1' ($70\% V_s$ min) to pad 1 enables oscillator output.
Logic '0' ($30\% V_s$ max) to pad 1 disables oscillator output.
No connection to pad 1 enables oscillator output due to internal pull-up resistor.
- Standby Current: $10\mu\text{A}$ max
- Start-up Time: 10ms max

Noise Parameters

- Phase Jitter (12kHz to 20MHz): 300fs rms max
- Phase Jitter (12kHz to 20MHz):
@100MHz: 129fs rms typ
@125MHz: 101fs rms typ
@156.25MHz: 79fs rms typ

Environmental Parameters

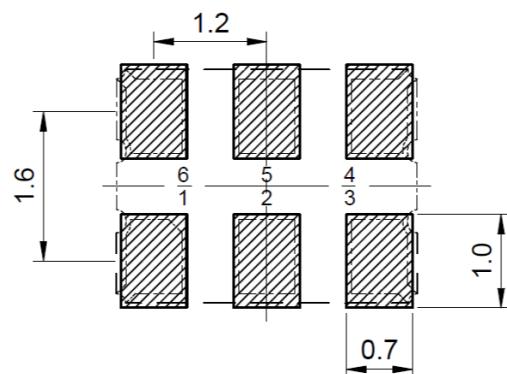
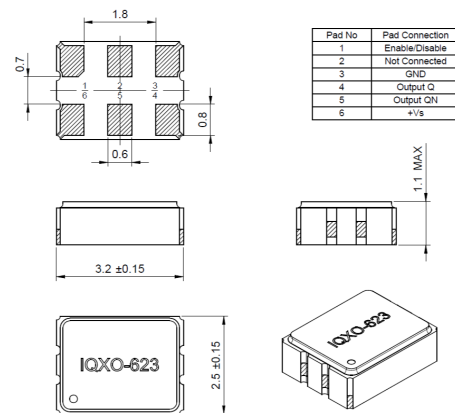
- Storage Temperature Range: -55 to 125°C
- Shock: 1500g , 0.5ms , 3 times for each surface, total 18 times.
- Vibration: Freq. range: $20\sim 2000\text{Hz}$, peak to peak amplitude: 1.52mm , peak acceleration: 20G (196m/s^2), 3 directions (X, Y, Z) 20 minutes per cycle, 4 cycles in each of the 3 orientations.

Manufacturing Details

- RoHS Terminations Au over Ni
- RoHS Reflow Temp 260°C max for 10sec max



Outline (mm)



CONTACT INFORMATION:

Würth Elektronik eiSos GmbH & Co. KG
Max-Eyth-Str. 1, 74638 Waldenburg, Germany
Tel: +49(0) 7942 945-0

Email: eiSos@we-online.de
Web: www.we-online.com

Compliance

- RoHS Status (2015/863/EU) Compliant
- REACH Status Compliant
- MSL Rating (JDEC-STD-033): Not Applicable

Packaging Details

- Tape & reel in accordance with EIA-481
Quantities below the standard reel size to
be supplied on cut tape.
Standard Quantity: 3,000 Pieces

USEFUL LINKS

Toolbox:

www.we-online.com/toolbox

Product Catalog:

www.we-online.com/products

CONTACT INFORMATION:

Würth Elektronik eiSos GmbH & Co. KG
Max-Eyth-Str. 1, 74638 Waldenburg, Germany
Tel: +49(0) 7942 945-0

Email: eiSos@we-online.de
Web: www.we-online.com