

### Description

- 32.768kHz miniature 2 x 1.6mm crystal oscillator in an hermetically sealed ceramic package with a seam sealed metal lid.
- Model IQXO-402
- Model Issue number 5

### Frequency Parameters

- Frequency 32.7680kHz
- Frequency Stability  $\pm 30.00$ ppm
- Operating Temperature Range  $-40.00$  to  $85.00^{\circ}\text{C}$
- Ageing  $\pm 3$ ppm max per year @  $25^{\circ}\text{C}$

### Electrical Parameters

- Supply Voltage  $3.3\text{V} \pm 10\%$
- Current Draw  $0.200\text{mA}$  max

### Output Details

- Output Compatibility CMOS
- Drive Capability  $15\text{pF}$  max
- Rise and Fall Time  $100.0\text{ns}$  max
- Duty Cycle  $40/60\%$  max

### Output Control

- Standby Operation:  
Logic '1' ( $\geq 70\%V_S$ ) to pad 1 enables oscillator output  
Logic '0' ( $\leq 30\%V_S$ ) to pad 1 disables oscillator output; when disabled the oscillator output goes to the high impedance state.  
No connection to pad 1 enables oscillator output.
- Standby Current:  
 $10\mu\text{A}$  max @  $-40$  to  $85^{\circ}\text{C}$   
 $20\mu\text{A}$  max @  $-40$  to  $125^{\circ}\text{C}$
- Start-up Time:  $10\text{ms}$  max  
 $0.3\text{ms}$  typ to 90% of final amplitude (under ideal conditions @  $25^{\circ}\text{C}$ )

### Environmental Parameters

- Storage Temperature Range:  $-55$  to  $125^{\circ}\text{C}$
- Shock :  $1500\text{G}$ ,  $0.5\text{ms}$ , 3 times for each surface, total 18 times.
- Vibration: Frequency range:  $20\sim 2000\text{Hz}$ , peak to peak amplitude  $1.52\text{mm}$ , peak acceleration:  $20\text{g}$  ( $196\text{m/s}^2$ ), 3 directions (X, Y, Z), each cycle:  $20\text{min}$ , 4 cycles for each direction.

### Manufacturing Details

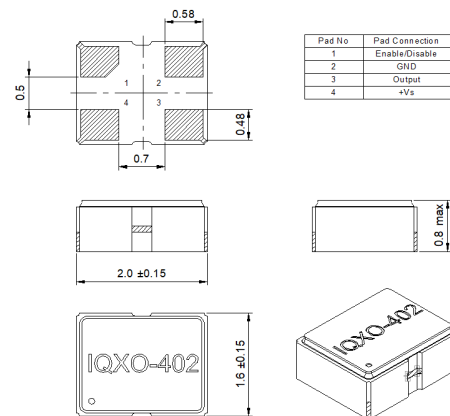
- RoHS Terminations Au over Ni
- RoHS Reflow Temp  $260^{\circ}\text{C}$  max for 10s max

### Compliance

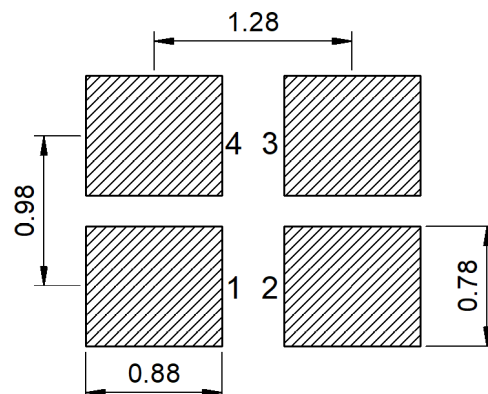
- RoHS Status (2015/863/EU) Compliant
- REACH Status Compliant
- MSL Rating (JDEC-STD-033): Not Applicable



### Outline (mm)



### Recommended Solder Pad Layout



### CONTACT INFORMATION:

Würth Elektronik eiSos GmbH & Co. KG  
Max-Eyth-Str. 1, 74638 Waldenburg, Germany  
Tel: +49(0) 7942 945-0

Email: [eiSos@we-online.de](mailto:eiSos@we-online.de)  
Web: [www.we-online.com](http://www.we-online.com)



## Crystal Clock Oscillator Specification

*IQD Part No.: LFSPXO073700*

*Würth Part No. 830207370001*



**WÜRTH  
ELEKTRONIK**  
MORE THAN  
YOU EXPECT

### Packaging Details

- Tape & reel in accordance with EIA-481  
Quantities below the standard reel size to  
be supplied on cut tape.  
Standard Quantity: 3,000 Pieces

▪

### USEFUL LINKS

Toolbox:

[www.we-online.com/toolbox](http://www.we-online.com/toolbox)

Product Catalog:

[www.we-online.com/products](http://www.we-online.com/products)

### CONTACT INFORMATION:

Würth Elektronik eiSos GmbH & Co. KG  
Max-Eyth-Str. 1, 74638 Waldenburg, Germany  
Tel: +49(0) 7942 945-0

Email: [eiSos@we-online.de](mailto:eiSos@we-online.de)  
Web: [www.we-online.com](http://www.we-online.com)