

CUSTOMER TERMINAL	RoHS	LEAD(Pb)-FREE
Sn96%, Ag4%	Yes	Yes



ELECTRICAL SPECIFICATIONS @ 25°C unless otherwise noted:

PARAMETER	TEST CONDITIONS	VALUE
D.C. RESISTANCE	3-1 @20°C	0.465 ohms ±10%
D.C. RESISTANCE	6-5 @20°C	0.165 ohms ±10%
D.C. RESISTANCE	14-10 @20°C	0.026 ohms ±20%
INDUCTANCE	3-1 100kHz, 100mVAC, Ls	700uH ±10%
SATURATION CURRENT	3-1 20% rolloff from initial	800mA
LEAKAGE INDUCTANCE	3-1 tie(5+6, 10+14), 100kHz, 100mVAC, Ls	12uH max.
DIELECTRIC	1-10 tie(3+5), 3750VAC, 1 second	3000VAC, 1 minute
DIELECTRIC	1-5 625VAC, 1 second	500VAC, 1 minute
TURNS RATIO	(3-1):(6-5)	5.6:1, ±2%
TURNS RATIO	(3-1):(14-10)	6.22:1, ±2%
TURNS RATIO	(3-2):(2-1)	1:1, ±2%

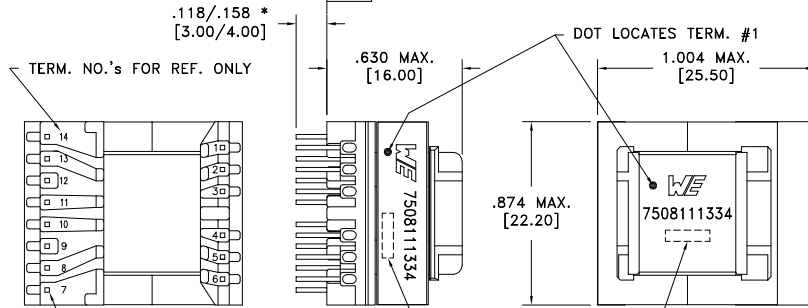
GENERAL SPECIFICATIONS:

OPERATING TEMPERATURE RANGE: -40°C to +125°C including temp rise.

Designed to comply with the following requirements as defined by IEC60950-1, EN60950-1, UL60950-1/CSA60950-1 and AS/NZS60950.1:

- Reinforced insulation for a primary circuit at a working voltage of 265Vrms, 400Vpeak, Overvoltage Category II, Pollution Degree 2.

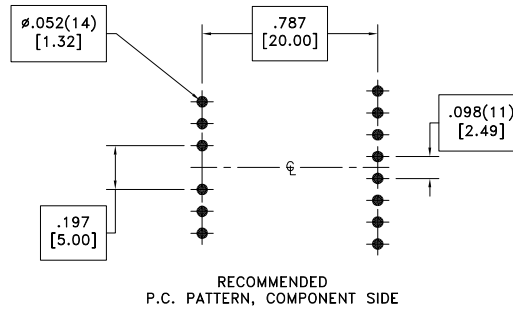
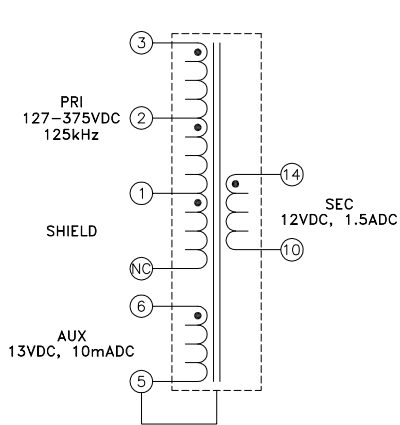
* DIMENSION MAY BE EXCEEDED WITH SOLDER ONLY



ALTERNATE MARKING DETAIL

TERM. NO.'s FOR REF. ONLY

.020 SQ.(14) [1.50]
PART MUST INSERT FULLY TO SURFACE A IN RECOMMENDED GRID



Wire insulation & RoHS status not affected by wire color.
Wire insulation color may vary depending on availability.

REV.	DATE	Packaging Specifications Method: Tray PKG-1037 www.we-online.com/midcom		Tolerances unless otherwise specified: Angles: ±1° Fractions: ±1/64 Decimals: ±.005 [1.3] Footprint: ±.001 [1.03]	DRAWING TITLE TRANSFORMER	PART NO. 7508111334
6A	5/19	SEE REVISION SHEET FOR REVISION LEVEL		This drawing is dual dimensioned. Dimensions in brackets are in millimeters.	eiSos p/n: 7508111334	compliant RoHS SPECIFICATION SHEET 1 OF 1