

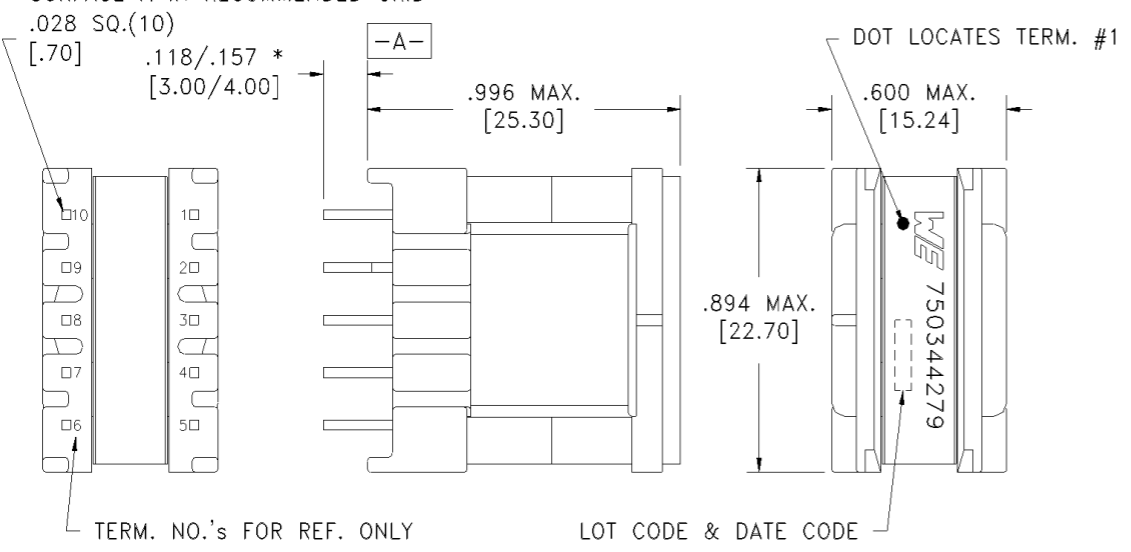
CUSTOMER TERMINAL	RoHS	LEAD(Pb)--FREE
Sn 96%, Ag 4%	Yes	Yes

more than you expect



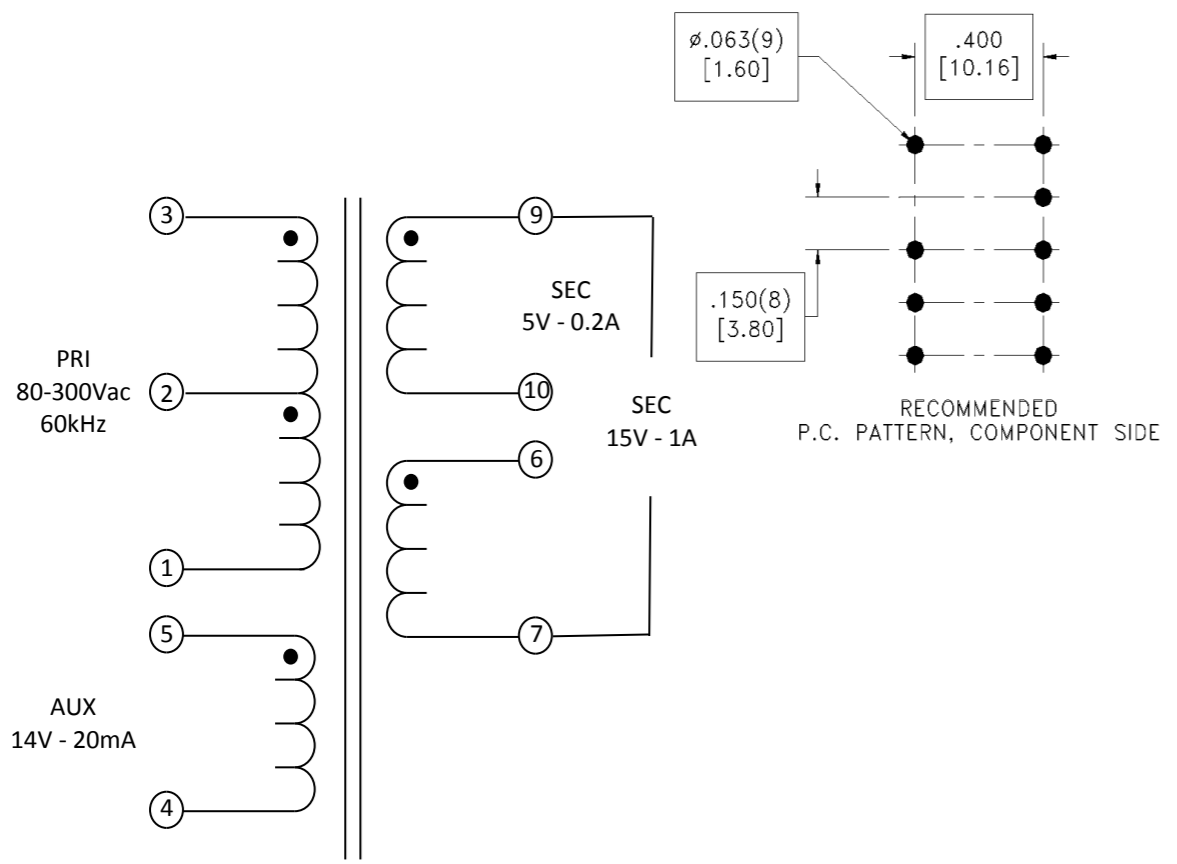
* DIMENSION MAY BE EXCEEDED WITH SOLDER ONLY

PART MUST INSERT FULLY TO SURFACE A IN RECOMMENDED GRID



ELECTRICAL SPECIFICATIONS @ 25° C unless otherwise noted:

PARAMETER	TEST CONDITIONS	VALUE
D.C. RESISTANCE	1-3 @20°C	1.30 ohms max.
D.C. RESISTANCE	6-7 @20°C	0.04 ohms max.
D.C. RESISTANCE	9-10 @20°C	0.03 ohms max.
D.C. RESISTANCE	4-5 @20°C	0.42 ohms max.
INDUCTANCE	1-3 100kHz, 100mV, Ls	998.00µH ±10%
SATURATION CURRENT	1-3 20% rolloff from initial	0.8A
LEAKAGE INDUCTANCE	1-3 tie(4+5+6+7+9+10), 100kHz, 100mV, Ls	10µH max.
DIELECTRIC	1-10 tie(3+4,7+9), 3300VAC, 3 second	
DIELECTRIC	1-CORE tie(3+4), 1500VAC, 3 second	
DIELECTRIC	10-CORE tie(7+9), 1500VAC, 3 second	
DIELECTRIC	1-4 625VAC, 1 second	
URNS RATIO	(3-1):(9-10)	17.6:1, ±2%
URNS RATIO	(3-1):(6-7)	8.8:1, ±2%
URNS RATIO	(3-1):(5-4)	6.29:1, ±2%



GENERAL SPECIFICATIONS:

OPERATING TEMPERATURE RANGE: -40°C to +125°C including temp rise.
 Designed to comply with the following requirements as defined by IEC60950-1, EN60950-1, UL60950-1/CSA60950-1 and AS/NZS60950.1:
 - Reinforced insulation for a primary circuit at a working voltage of 300Vrms, 420Vpeak, OVC II, Pollution Degree 2.

Product contains reportable levels of REACH SVHC component Dechlorane Plus™ found in AM113 plastic

Wire insulation & RoHS status not affected by wire color. Wire insulation color may vary depending on availability.

DFM		Packaging Specifications Method: Tray PKG-TBD		Tolerances unless otherwise specified: Angles: ±1° Decimals: ±.005 [.13] Fractions: ±1/64 Footprint: ±.001 [.03]	DRAWING TITLE TRANSFORMER	PART NO. 750344279
DATE						
ENG	IYU					
REV.	00					
DATE	2/27/2019					
www.we-online.com/midcom			This drawing is dual dimensioned. Dimensions in brackets are in millimeters.		SPECIFICATION SHEET 1 OF 1	