

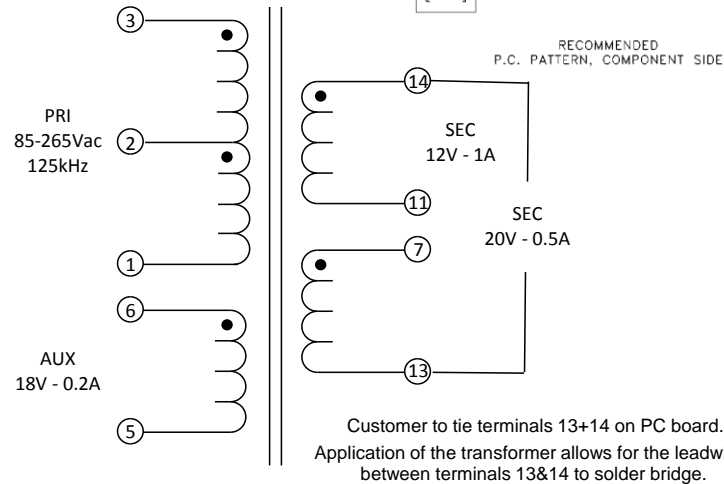
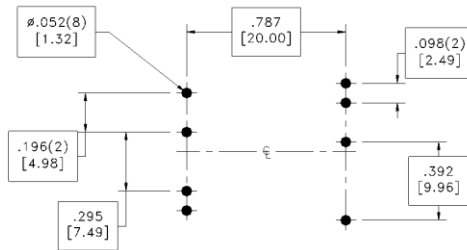
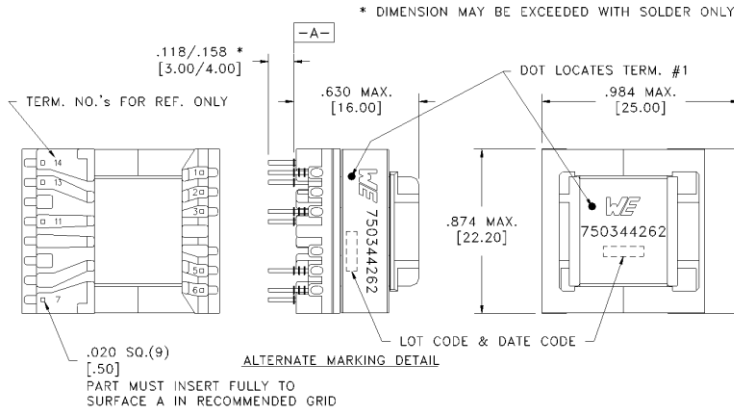
CUSTOMER TERMINAL	RoHS	LEAD(Pb)--FREE
Sn 96%, Ag 4%	Yes	Yes

more than you expect



ELECTRICAL SPECIFICATIONS @ 25° C unless otherwise noted:

PARAMETER	TEST CONDITIONS	VALUE
D.C. RESISTANCE	1-3 @20°C	0.29 ohms max.
D.C. RESISTANCE	7-13 @20°C	0.03 ohms max.
D.C. RESISTANCE	11-14 @20°C	0.03 ohms max.
D.C. RESISTANCE	5-6 @20°C	0.08 ohms max.
INDUCTANCE	1-3 100kHz, 100mV, Ls	274.00µH ±10%
SATURATION CURRENT	1-3 20% rolloff from initial	1.6A
LEAKAGE INDUCTANCE	1-3 tie(5+6+7+11+13+14),100kHz, 100mV, Ls	5µH max.
DIELECTRIC	1-14 tie(3+5+CORE, 13+14), 5000VDC, 1 second	5000VDC, 1 minute
DIELECTRIC	1-5 625VAC, 1 second	
URNS RATIO	(3-1):(14-11)	8:1, ±2%
URNS RATIO	(3-1):(7-13)	12:1, ±2%
URNS RATIO	(3-1):(6-5)	5.33:1, ±2%



GENERAL SPECIFICATIONS:

OPERATING TEMPERATURE RANGE: -40°C to +125°C including temp rise.
 Designed to comply with the following requirements as defined by IEC60950-1, EN60950-1, UL60950-1/CSA60950-1 and AS/NZS60950.1:
 - Reinforced insulation for a primary circuit at a working voltage of 265Vrms, 400Vpeak, Overvoltage Category II, Pollution Degree 2.

Wire insulation & RoHS status not affected by wire color. Wire insulation color may vary depending on availability.

DFM	Packaging Specifications		Tolerances unless otherwise specified: Angles: ±1° Decimals: ±.005 [.13] Fractions: ±1/64 Footprint: ±.001 [.03]	DRAWING TITLE TRANSFORMER	PART NO. 750344262
DATE	Method: Tray				
ENG	YU	www.we-online.com/midcom			
REV.	00				
DATE	1/25/2019				SPECIFICATION SHEET 1 OF 1