

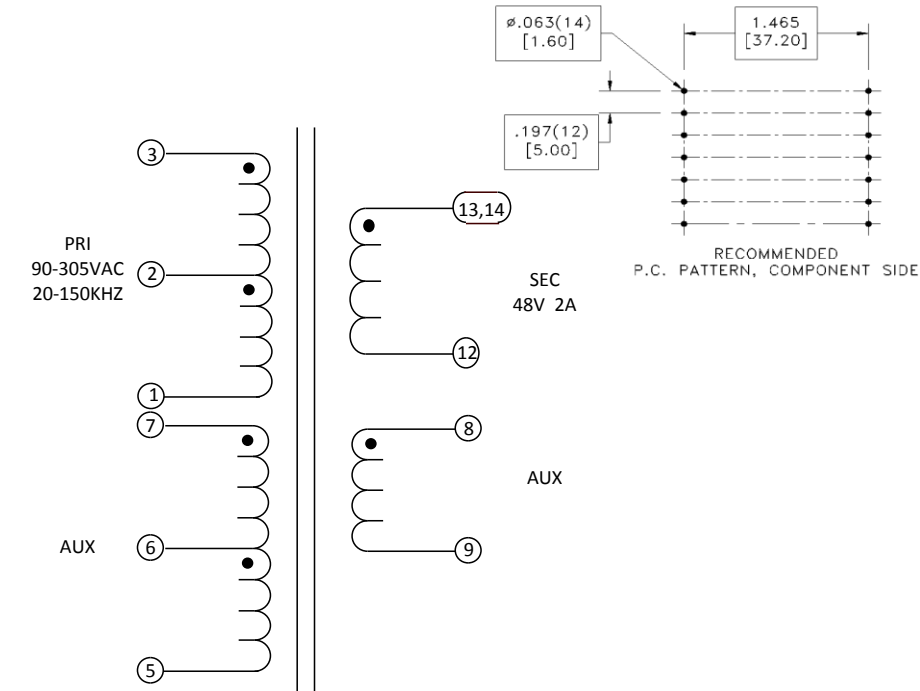
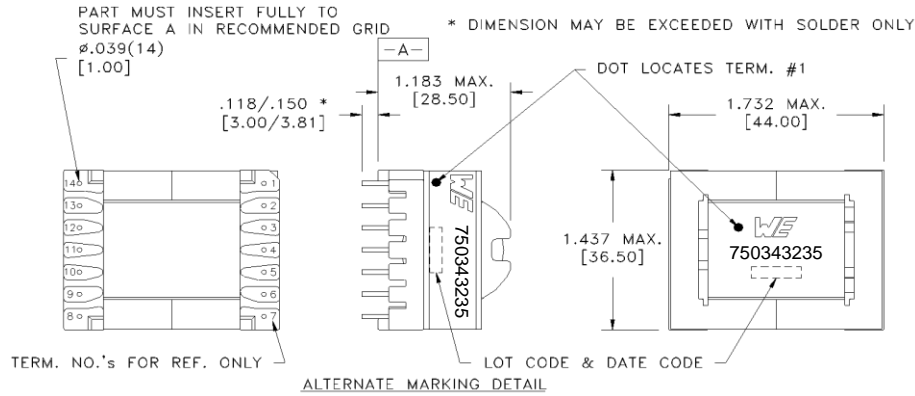
CUSTOMER TERMINAL	RoHS	LEAD(Pb)--FREE
Sn 96%, Ag 4%	Yes	Yes

more than you expect



ELECTRICAL SPECIFICATIONS @ 25° C unless otherwise noted:

PARAMETER	TEST CONDITIONS	VALUE
D.C. RESISTANCE	3-1 @20°C	0.260 ohms max.
D.C. RESISTANCE	7-6 @20°C	0.950 ohms max.
D.C. RESISTANCE	6-5 @20°C	0.056 ohms max.
D.C. RESISTANCE	9-8 @20°C	0.130 ohms max.
D.C. RESISTANCE	13-12 tie(13+14), @20°C	0.045 ohms max.
INDUCTANCE	3-1 10kHz, 100mV, Ls	1200.0µH ±10%
SATURATION CURRENT	3-1 20% rolloff from initial	2A
LEAKAGE INDUCTANCE	3-1 tie(5thru14), 100kHz, 100mV, Ls	4µH typ., 8µH max.
DIELECTRIC	7-8 tie(5+3,9+12), 4300VAC, 1 second	
DIELECTRIC	7-core tie(5+3), 2150VAC, 1 second	
DIELECTRIC	8-core tie(9+12), 2150VAC, 1 second	
URNS RATIO	(3-1):(7-6)	4.19:1, ±2%
URNS RATIO	(3-1):(6-5)	22:1, ±2%
URNS RATIO	(3-1):(8-9)	22:1, ±2%
URNS RATIO	(3-1):(13-12)	3.38:1, ±2%



GENERAL SPECIFICATIONS:

OPERATING TEMPERATURE RANGE: -40°C to +125°C including temp rise.

Designed to comply with the following requirements as defined by IEC61558-2-16, and EN61558-2-16:

- Reinforced insulation for a primary circuit at a working voltage of 305Vrms, 430Vpeak (operating frequency of <2MHz).

Wire insulation & RoHS status not affected by wire color. Wire insulation color may vary depending on availability.

DFM		Packaging Specifications Method: Tray PKG-0810	 CONVENTION PLACEMENT	Tolerances unless otherwise specified: Angles: ±1° Decimals: ±.005 [.13] Fractions: ±1/64 Footprint: ±.001 [.03]	DRAWING TITLE TRANSFORMER	PART NO. 750343235
DATE				This drawing is dual dimensioned. Dimensions in brackets are in millimeters.		
ENG	HWE					
REV.	00					
DATE	2016-5-13			www.we-online.com/midcom		