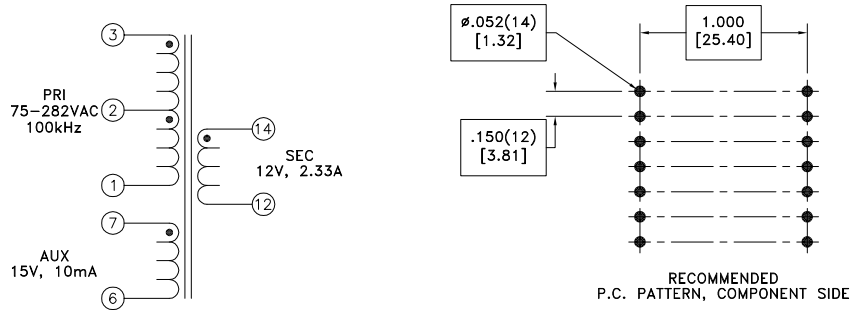
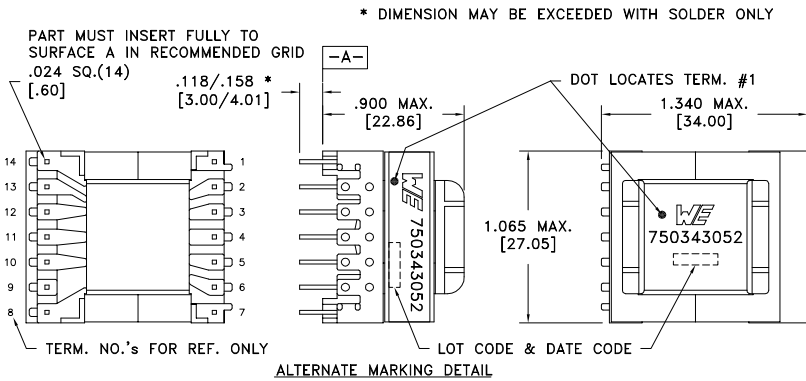


CUSTOMER TERMINAL	RoHS	LEAD(Pb)-FREE
Sn96%, Ag4%	Yes	Yes

more than you expect



ELECTRICAL SPECIFICATIONS @ 25°C unless otherwise noted:

PARAMETER	TEST CONDITIONS	VALUE
D.C. RESISTANCE	1-3 @20°C	0.100 ohms max.
D.C. RESISTANCE	6-7 @20°C	0.170 ohms max.
D.C. RESISTANCE	12-14 @20°C	0.025 ohms max.
INDUCTANCE	1-3 50kHz, 100mVAC, Ls	188.0uH ±10%
LEAKAGE INDUCTANCE	1-3 tie(6+7+12+14), 100kHz, 100mVAC, Ls	4.0uH max.
DIELECTRIC	1-14 tie(3+6), 5000VDC, 1 second	5000VDC, 1 minute
DIELECTRIC	14-Core 5000VDC, 1 second	5000VDC, 1 minute
URNS RATIO	(3-1):(7-6)	4.29:1, ±2%
URNS RATIO	(3-1):(14-12)	6.1:1, ±2%

GENERAL SPECIFICATIONS:

OPERATING TEMPERATURE RANGE: -40°C to +125°C including temp rise.

Designed to comply with the following requirements as defined by IEC60950-1, EN60950-1, UL60950-1/CSA60950-1 and AS/NZS60950.1:
 - Reinforced insulation for a primary circuit at a working voltage of 282Vrms, 400Vpeak, Overvoltage Category II.

Wire insulation & RoHS status not affected by wire color.
 Wire insulation color may vary depending on availability.

REV.	DATE	Packaging Specifications Method: Tray PKG-0737 www.we-online.com/midcom		Tolerances unless otherwise specified: Angles: ±1° Fractions: ±1/64 Decimals: ±.005 [.13] Footprint: ±.001 [.13]	DRAWING TITLE TRANSFORMER	PART NO. 750343052
6A	10/16	SEE REVISION SHEET FOR REVISION LEVEL		This drawing is dual dimensioned. Dimensions in brackets are in millimeters.	eiSos p/n: 750343052	SPECIFICATION SHEET 1 OF 1