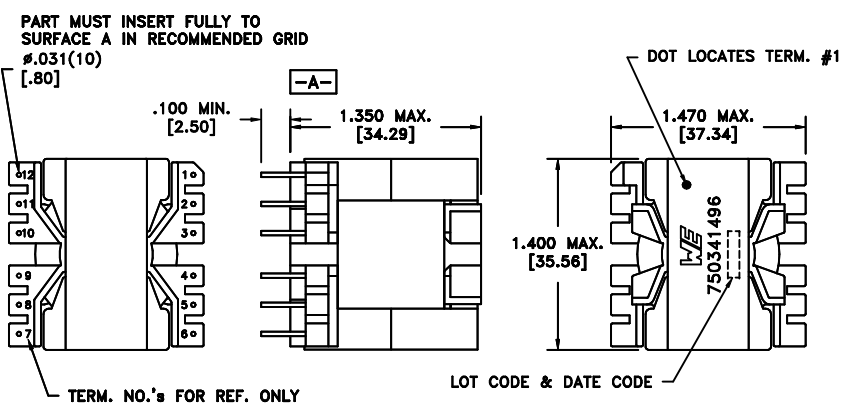


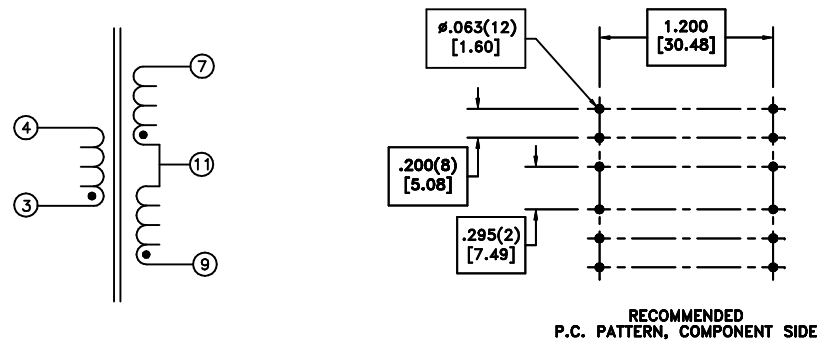
| | | |
|-------------------|------|---------------|
| CUSTOMER TERMINAL | RoHS | LEAD(Pb)-FREE |
| Sn96%, Ag4% | Yes | Yes |

more than you expect



ELECTRICAL SPECIFICATIONS @ 25°C unless otherwise noted:

| PARAMETER | TEST CONDITIONS | VALUE |
|--------------------|-----------------------------------|------------------|
| D.C. RESISTANCE | 3-4 @20°C | 0.100 ohms max. |
| D.C. RESISTANCE | 9-11 @20°C | 0.010 ohms max. |
| D.C. RESISTANCE | 11-7 @20°C | 0.010 ohms max. |
| INDUCTANCE | 3-4 10kHz, 0.1VAC, Ls | 690 uH ±5% |
| LEAKAGE INDUCTANCE | 3-4 tie(7+9+11),10kHz, 0.1VAC, Ls | 14.5 uH max |
| DIELECTRIC | 3-4 625VAC, 1 second | 500VAC, 1 minute |
| URNS RATIO | (3-4):(9-11) | 16.5:1, ±2% |
| URNS RATIO | (3-4):(11-7) | 16.5:1, ±2% |



Wire insulation & RoHS status not affected by wire color.
Wire insulation color may vary depending on availability.

| | | | | | | |
|------|-------|--|--|--|------------------------------|----------------------------|
| REV. | DATE | Packaging Specifications Method: Tray PKG-0825 www.we-online.com/midcom | | Tolerances unless otherwise specified: Angles: ±1° Decimals: ±.005 [.13] Fractions: ±1/64 Footprint: ±.001 [.03] | DRAWING TITLE TRANSFORMER | PART NO. 750341496 |
| 00 | 06/12 | SEE REVISION SHEET FOR REVISION LEVEL | | This drawing is dual dimensioned. Dimensions in brackets are in millimeters. | eiSos p/n: 750341496 | SPECIFICATION SHEET 1 OF 1 |

